

CONNECTOR SPECIFICATION:

VOLTAGE RATING	250 VAC/VDC
AMPERAGE RATING	max. 4 AMPS
PROTECTION	IP67
OPERATING TEMPERATURE	-20°C TO 80°C
UL CERTIFICATIONS	UL RECOGNIZED, FILE NO. E152210
CSA CERTIFICATIONS	LR6837

ITEM	COMPONENT	MATERIAL	FINISH
7	LABLE	MYLAR	BLACK/YELLOW
6	O-RING	VITON	RED
5	COUPLER	BRASS	NICKEL PLATED
4	SOCKET/PIN CONTACT	COPPER ALLOY	GOLD OVER NICKEL
3	INSERT	NYLON	BLACK
2	OVERMOLD	TPE	YELLOW
1	CABLE- 18/3-5 (COPPER STRANDING) 3/4/5 CONDUCT. 300V	TPE JACKET	YELLOW

DESCRIPTION EC NO.: WEU2010-0363 DRWN: LSTEMMLE CHKD: NS APPR: FPACHER 15.02.10 2010/02/16	QUALITY SYMBOLS ▽ = 0 ▽/C = 0	GENERAL TOLERANCES (UNLESS SPECIFIED) mm INCH 4 PLACES ±--- ±--- 3 PLACES ±--- ±--- 2 PLACES ±--- ±.01 1 PLACE ±0.3 ±--- ANGULAR ± --- °	DIMENSION STYLE IN/MM DRAWN BY DATE LSTEMMLE 2010/02/03 CHECKED BY DATE RE 2010/02/04 APPROVED BY DATE FPACHER 2010/02/15	SCALE 1:1 DESIGN UNITS METRIC THIRD ANGLE PROJECTION
	DRAFT WHERE APPLICABLE MUST REMAIN WITHIN DIMENSIONS		SEE TABLE SHEET 2	MICRO-CHANGE CORDSET 3/4/5 P. FE 90 / MA STR 18/3-5 YELLOW TPE CABLE
	MATERIAL NO.		DOCUMENT NO. SD-120066-031	SHEET NO. 1 OF 2
	SIZE A3 THIS DRAWING CONTAINS INFORMATION THAT IS PROPRIETARY TO MOLEX INCORPORATED AND SHOULD NOT BE USED WITHOUT WRITTEN PERMISSION			

10

9

8

7

6

5

4

3

2

1

F

F

POL	MATERIAL NUMBER	ENGINEERING NUMBER	FINISHED LENGTH
4	1200660935	884031B02M020	2.0M +88.9 -0 [6.56' +3.50" -0]
4	1200660937	884031B02M030	3.0M +88.9 -0 [9.84' +3.50" -0]
4	1200660939	884031B02M040	4.0M +165.1 -0 [13.12' +6.50" -0]
4	1200660940	884031B02M040	5.0M +165.1 -0 [16.40' +6.50" -0]
4	1200660942	884031B02M060	6.0M +165.1 -0 [19.69' +6.50" -0]

E

E

D

D

C


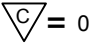
C

B

B

A

A

DESCRIPTION EC NO.: WEU2010-0363 DRWN: LSTEMMLE CHKD: NS APPR: FPACHER 2010/02/16	QUALITY SYMBOLS	GENERAL TOLERANCES (UNLESS SPECIFIED)		DIMENSION STYLE		SCALE	DESIGN UNITS	THIRD ANGLE PROJECTION	
	 = 0  = 0	mm	INCH	IN/MM		1:1	METRIC		
REV 2	4 PLACES	±---	±---	DRAWN BY	DATE	MICRO-CHANGE CORDSET 3/4/5 P. FE 90 / MA STR 18/3-5 YELLOW TPE CABLE			
	3 PLACES	±---	±---	LSTEMMLE	2010/02/03				
	2 PLACES	±---	±.01	CHECKED BY	DATE	MOLEX INCORPORATED			
	1 PLACE	±0.3	±---	RE	2010/02/04				
	ANGULAR ± --- °		APPROVED BY		DATE	MATERIAL NO. SD-120066-031 SHEET NO. 2 OF 2			
	DRAFT WHERE APPLICABLE MUST REMAIN WITHIN DIMENSIONS		FPACHER		2010/02/15				
			MATERIAL NO.		SEE TABLE	THIS DRAWING CONTAINS INFORMATION THAT IS PROPRIETARY TO MOLEX INCORPORATED AND SHOULD NOT BE USED WITHOUT WRITTEN PERMISSION			
			SIZE		A3				

10

9

8

7

6

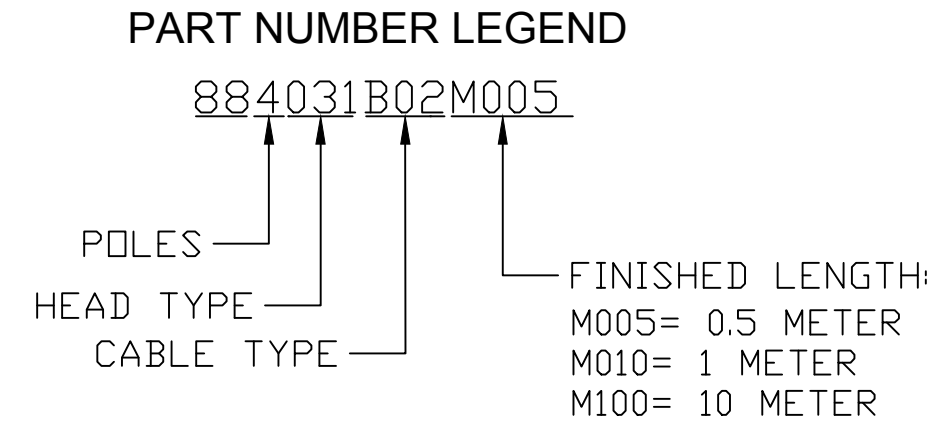
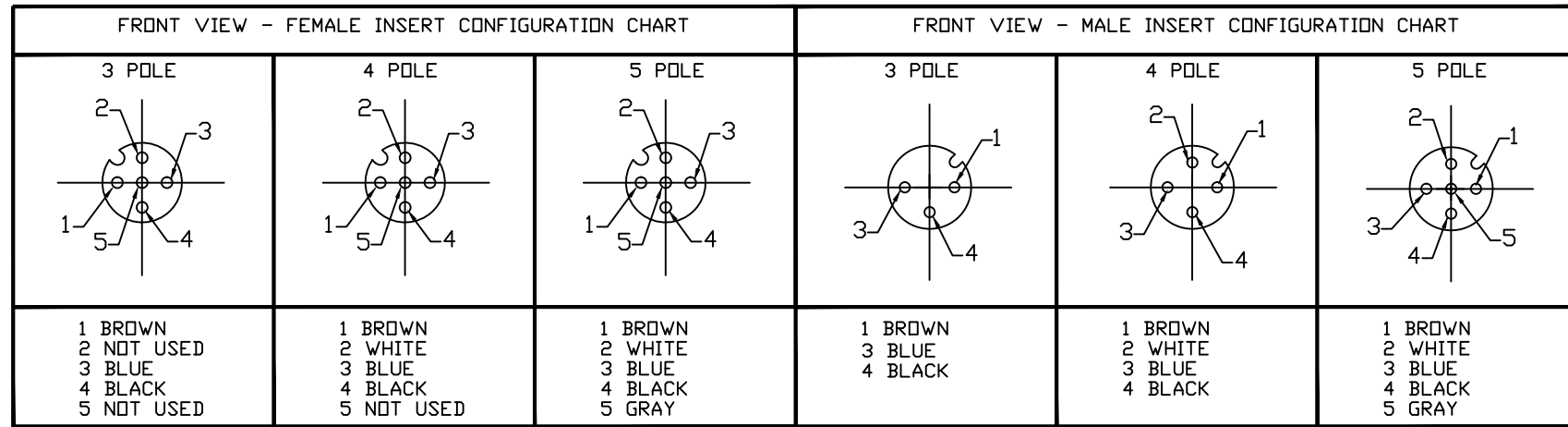
5

4

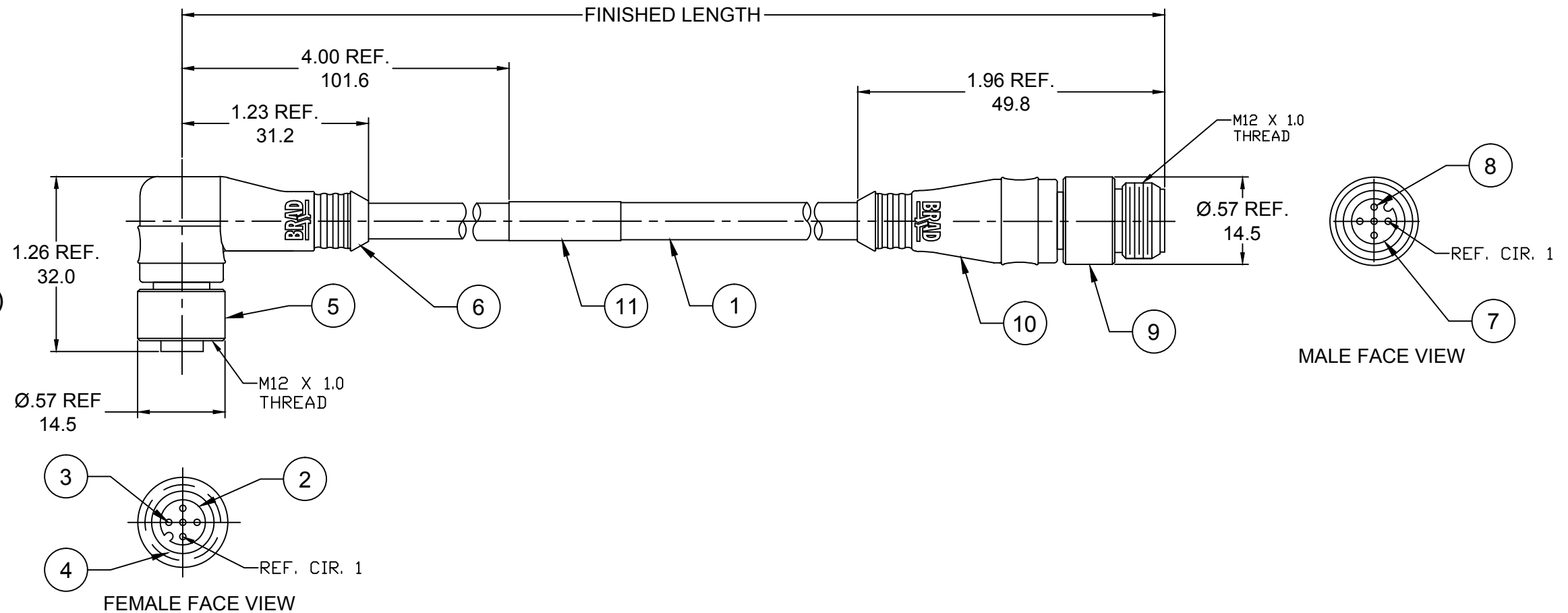
3

2

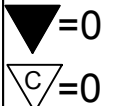

1



- NOTES:**
1. MATERIAL: AS NOTED
 2. FINISH: AS NOTED
 3. ELECTRICAL:
VOLTAGE: 250V
CURRENT: 4A
 4. TEMP RATING: -20° TO +80°C
 5. PROTECTION: IP67 (WHEN MATED)



ITEM	DESCRIPTION	MATERIAL	FINISH
11	WRAP LABEL	VINYL	BLACK/YELLOW
10	OVERMOLD (MALE)	PUR	YELLOW
9	COUPLING NUT (MALE)	BRASS	TEFLON/NICKEL
8	CONTACT PIN	COPPER ALLOY	GOLD PLATED
7	MALE INSERT	PUR	BLACK
6	OVERMOLD (90D FEMALE)	PUR	YELLOW
5	COUPLING NUT (FEMALE)	BRASS	TEFLON/NICKEL
4	O-RING	VITON	RED
3	CONTACT SOCKET	COPPER ALLOY	GOLD PLATED
2	FEMALE INSERT	PUR	BLACK
1	CABLE, 18 AWG, 4 COND	PUR JACKET	YELLOW

RELEASED EC NO: IPG2017-0018 DRWN: RSTONE 2016/07/12 CHKD: K COX APPR: TWOLDEGE 2016/08/19	QUALITY SYMBOLS 	GENERAL TOLERANCES (UNLESS SPECIFIED)		DIMENSION STYLE IN/MM		SCALE ---	DESIGN UNITS INCH	 THIRD ANGLE PROJECTION	
		4 PLACES	±---	±---	DRAWN BY	DATE	TITLE M12 CABLE ASSY MALE STR / FEMALE 90D 18AWG PUR HI-FLEX		
		3 PLACES	±---	±---	RSTONE	2016/07/12			
		2 PLACES	±0.13	±0.01	CHECKED BY	DATE	MOLEX INCORPORATED		
1 PLACE	±0.3	±---	APPROVED BY	DATE	TWOLDEGE 2016/08/19		DOCUMENT NO. SD-120066-063	SHEET NO. 1 OF 1	
DRAFT WHERE APPLICABLE MUST REMAIN WITHIN DIMENSIONS				MATERIAL NO. -	THIS DRAWING CONTAINS INFORMATION THAT IS PROPRIETARY TO MOLEX INCORPORATED AND SHOULD NOT BE USED WITHOUT WRITTEN PERMISSION				