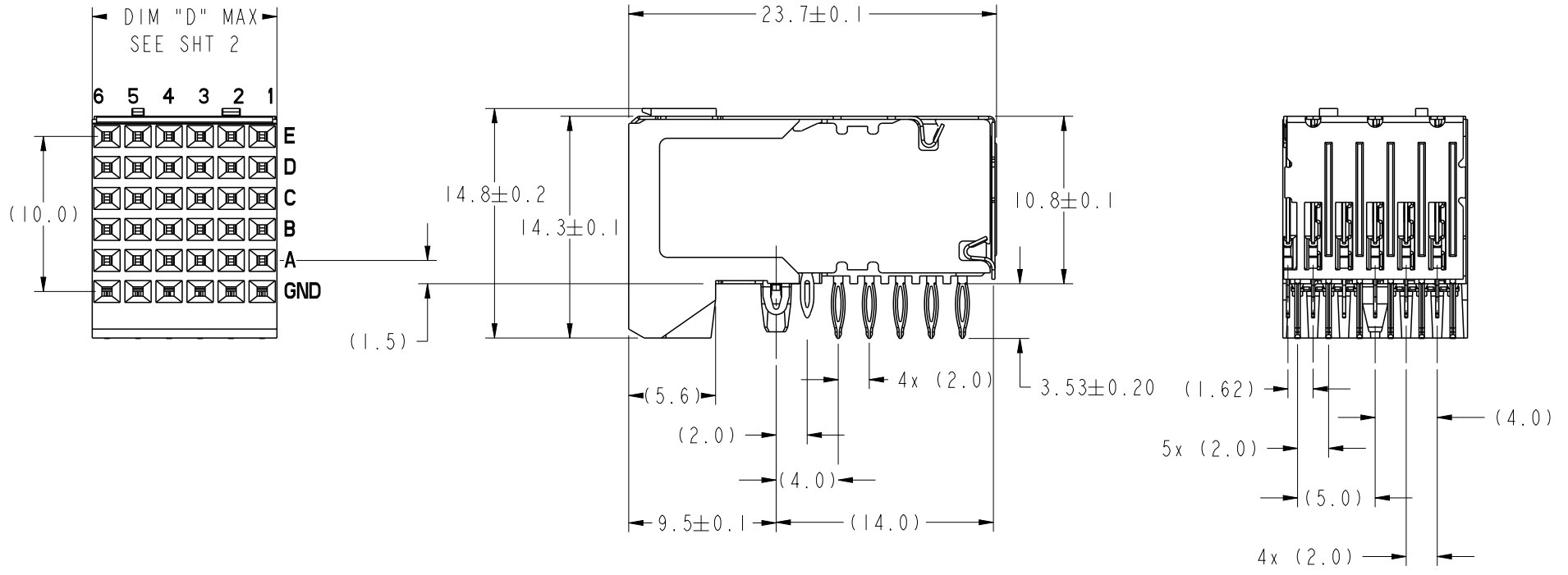
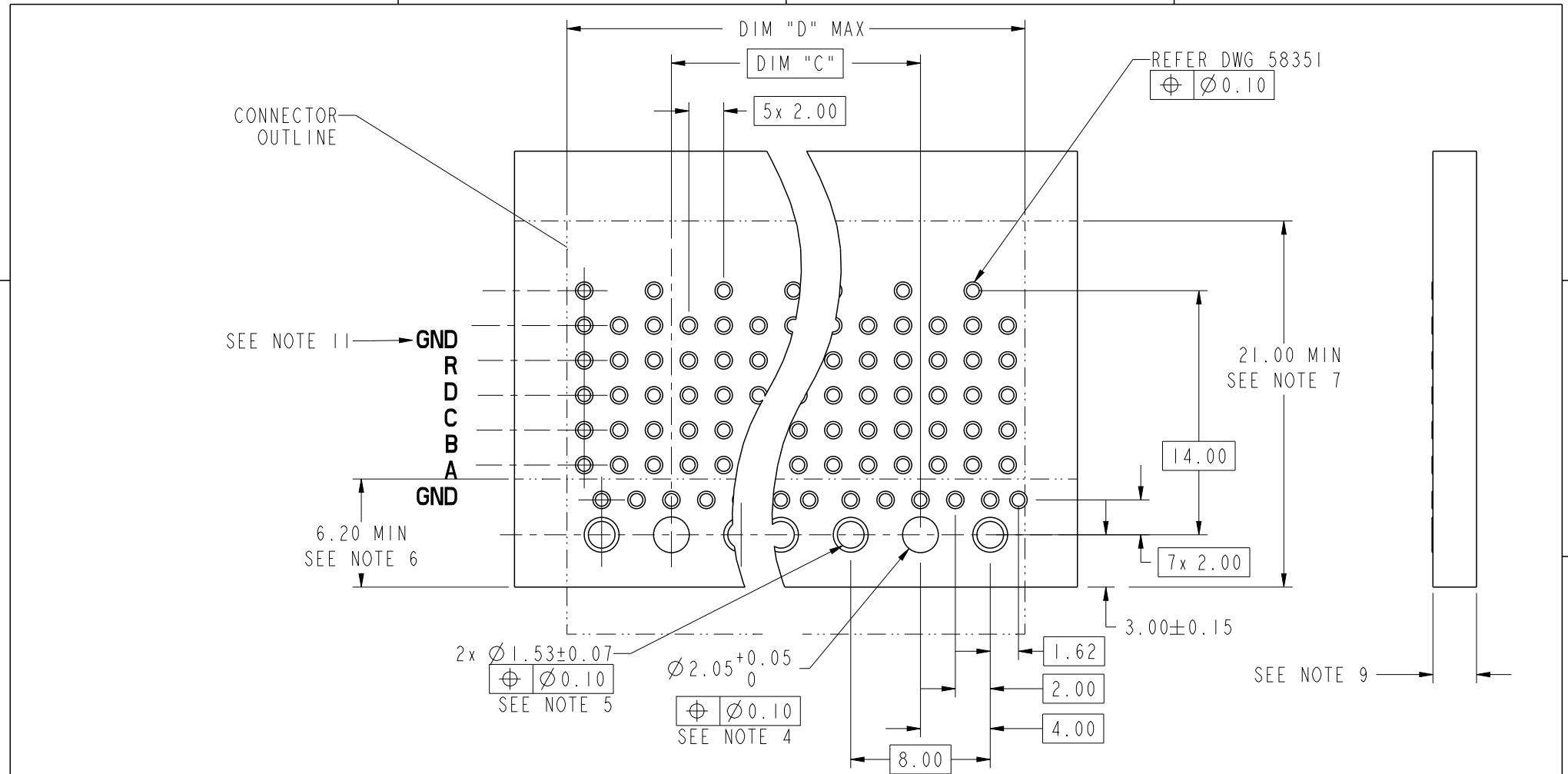


PRODUCT NUMBER	DIM "C"	DIM "D"
84854-X01LF	--	11.98
84854-X02LF	12.00	23.98
84854-X03LF	24.00	35.98
84854-X04LF	36.00	47.98
84854-X05LF	48.00	59.98
84854-X06LF	60.00	71.98



spec ref		dr	Narayanan, Aru	2020/11/21	projection 	MM 	size	A4	scale	3:1	
tolerance std		eng	Narayanan, Aru	2020/12/22			ecn no	ELX-I-39415-1			
ISO 406 ISO 1101		chr	-	-			rel level	Released			
TOLERANCES UNLESS OTHERWISE SPECIFIED		appr	Kuriakose, San	2020/12/22	product family		METRAL 1000				
surface 1302	linear	0.X	±0.3	Amphenol FCi	title		RA SIGNAL RECEPTACLE		dwg no	84854	
		0.XX	±0.13		5 ROW MONOBLOCK FOR 3.4 PCB		rev	T			
		0.XXX	±0.050		cat. no.			Product - Customer Drw		sheet 1 of 4	
angular	0°	±2°									





Creo F-119; ELX-FCI; REV F; 2020-12-21

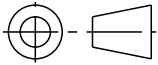



RECOMMENDED PCB HOLE PATTERN  
COMPONENT SIDE  
FOR PTH DETAILS REFER DRAWING 58351

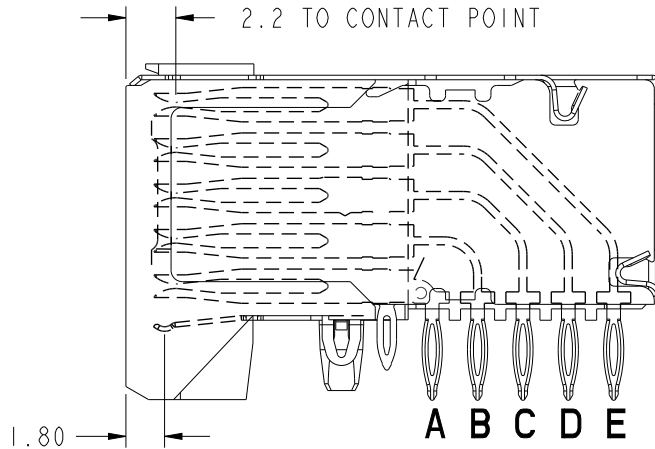
spec ref		dr Narayanan, Aru 2020/11/21		projection 	MM 	size A4	scale 3:1
tolerance std ISO 406 ISO 1101		eng Narayanan, Aru 2020/12/22				ecn no ELX-I-39415-1	
TOLERANCES UNLESS OTHERWISE SPECIFIED		chr -				rel level Released	
surface 1302 ✓		linear	0.X ±0.3 0.XX ±0.13 0.XXX ±0.050	product family METRAL(tm)		rev T	
		angular	0° ±2°	RA SIGNAL RECEPTACLE 5 ROW MONOBLOCK FOR 3.4 PCB		dwg no 84854	
		appr Kuriakose, San 2020/12/22		Product - Customer Drw		sheet 2 of 4	

NOTES:

1. MATERIAL : BODY : THERMOPLASTIC UL94-V0  
: CONTACT : COPPER ALLOY. 
2. FOR PLATING PERFORMANCE REFER DRAWING #10159408. 
3. UNLESS OTHERWISE SPECIFIED ALL DIMENSIONS AND TOLERANCES ARE IN ACCORDANCE WITH ASSY Y14.5M, 1994
4. Ø2.05 HOLE IS UNPLATED.
5. Ø1.53 PLATED HOLES (2x) ARE FOR GROUNDS.
6. AVOID TRANCES IN THIS AREA ON TOP OF PCB DUE TO EXPOSED GROUND SHIELD.
7. COMPONENT KEEP OUT ZONE FOR PRESS BLOCK CLEARANCE.
8. SEE GS-20-017 FOR APPLICATION OF CONNECTOR TO PCB.
9. PCB THICKNESS RANGE: 1.3mm TO 3.4mm.
10. SEE PRODUCT SPECIFICATION GS-12-110 FOR PRODUCT PERFORMANCE CHARACTERISTICS.
11. THIS GROUND ROW OF VIA-HOLES ONLY REQUIRED FOR PREVIOUS REVISIONS OF THIS DESIGN WHERE THE TOP SHIELDS HAD EON. PRESS FIT. DUE TO INVENTORIES OF PREVIOUS VERSION WE RECOMMEND THEY BE DESIGNED IN.
12. PRODUCTS MEETS EUROPEAN UNION DIRECTIVES AND OTHER COUNTRY REGULATIONS AS  DESCRIBED IN GS-47-0004.  
ALL PRODUCTS WILL WITHSTAND EXPOSURE TO 260° FOR 60 SECONDS IN A CONVENTION INFRA-RED OR VAPOUR PHASE REFLOW OVEN.
13. A  SYMBOL WILL BE NEXT TO ANY DIMENSION, VIEW, OR NOTE WHICH HAS BEEN MODIFIED WITH THE CURRENT DRAWING REVISION.

spec ref		dr <a href="#">Narayanan, Aru</a>		2020/11/21		projection 	MM 	size	A4	scale	3:1	
tolerance std ISO 406 ISO 1101	TOLERANCES UNLESS OTHERWISE SPECIFIED		eng <a href="#">Narayanan, Aru</a>		2020/12/22			ecn no		<a href="#">ELX-I-39415-1</a>		
			chr		-			rel level		<b>Released</b>		
surface		appr <a href="#">Kuriakose, San</a>		2020/12/22		product family		METRAL(tm)		rev		
1302	linear	0.X	±0.3	<b>Amphenol FCI</b>	title		RA SIGNAL RECEPTACLE		dwg no	84854		
		0.XX	±0.13		5 ROW MONOBLOCK FOR 3.4 PCB		T					
		0.XXX	±0.050		cat. no.			Product - Customer Drw				
	angular	0°	±2°			sheet 3 of 4						

DISTANCE FROM CONTACT POINT TO BOARD	
CONTACT	DISTANCE
A	12.5
B	16.2
C	19.5
D	22.3
E	25.2



CONTACT POINT AND SKEW

spec ref		dr	Narayanan, Aru	2020/11/21	projection 	MM 	size	A4	scale	3:1		
tolerance std ISO 406 ISO 1101	TOLERANCES UNLESS OTHERWISE SPECIFIED	eng	Narayanan, Aru	2020/12/22			ecn no	ELX-I-39415-1				
		chr	-	-			rel level	Released				
surface	1302	appr	Kuriakose, San	2020/12/22	product family	METRAL(tm)						
linear	0.X	±0.3		Amphenol FCi	title	RA SIGNAL RECEPTACLE 5 ROW MONOBLOCK FOR 3.4 PCB		dwg no	84854		rev	T
	0.XX	±0.13										
	0.XXX	±0.050										
angular	0°	±2°		cat. no.	Product - Customer Drw			sheet 4 of 4				