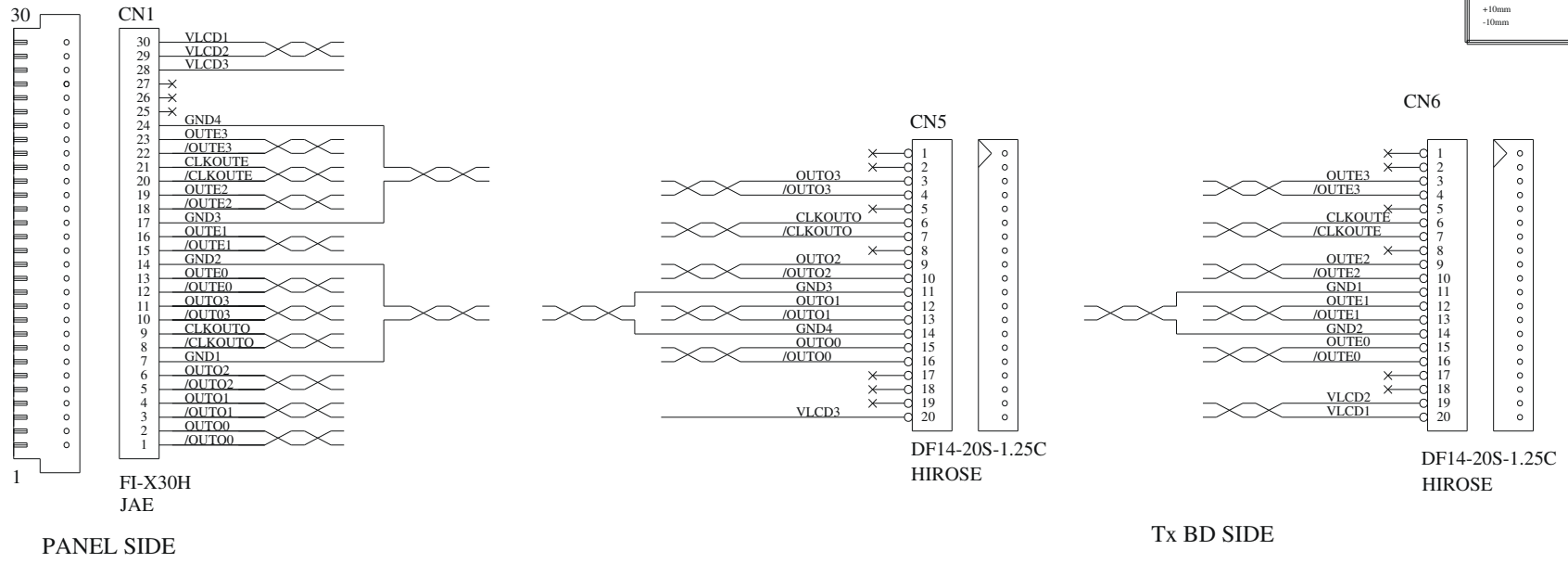
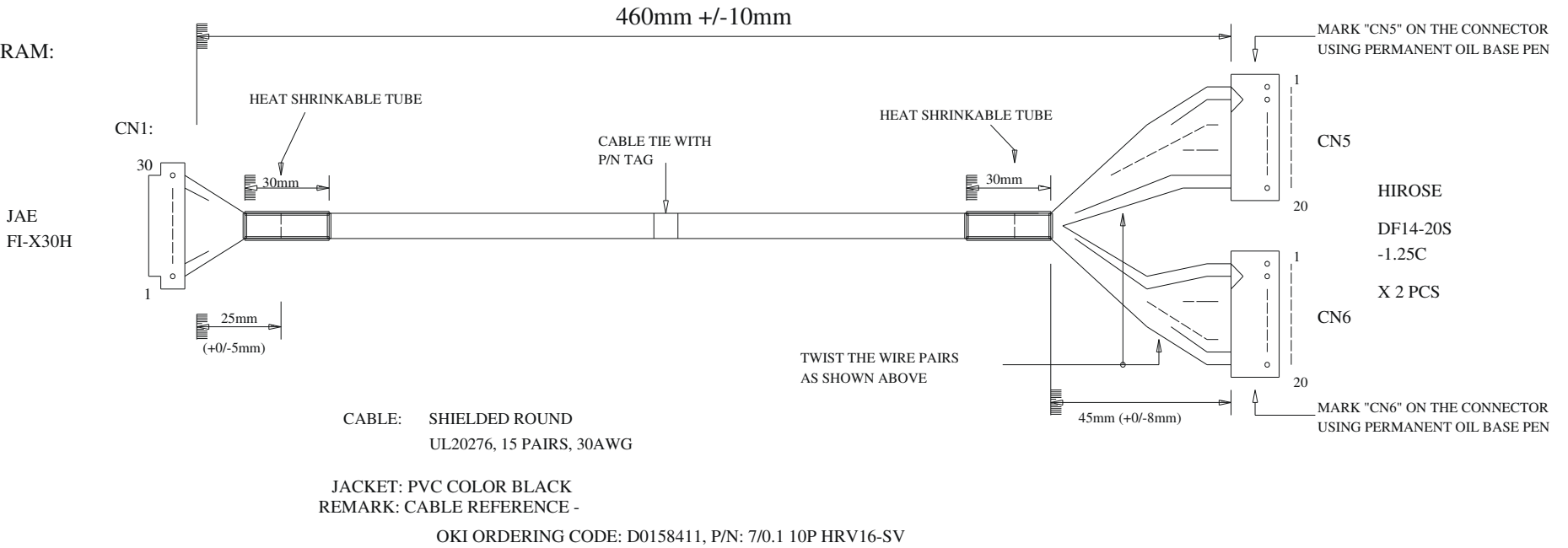


CONNECTION DIAGRAM:



TOLERANCE:  
 +10mm  
 -10mm

CONSTRUCTION DIAGRAM:



USAGE: LVDS CABLE FOR SAMSUNG LTM170E4-L01 SXGA PANEL  
 (WITH LVDS Tx. BOARD: P/N:4162138-00)

P/N 4264730-00  
 LVDS CABLE: SAMSUNG LTM170E4-L01, 460mm

|   |   |           |
|---|---|-----------|
| DIGITAL VIEW LTD.<br>COPYRIGHT 2001, ALL RIGHTS RESERVED<br>CONFIDENTIAL<br>DRAWN BY: DICK CHEUNG |   |           |
| Title<br>LVDS CABLE: SAMSUNG LTM170E4-L01, 460mm  |   |           |
| Size<br>B   | Document Number<br>(G:...LDV\DV_CABLE\C6473000.SCH) | REV<br>01 |
| Date<br>July 5, 2001  | Sheet<br>1  | of<br>1   |