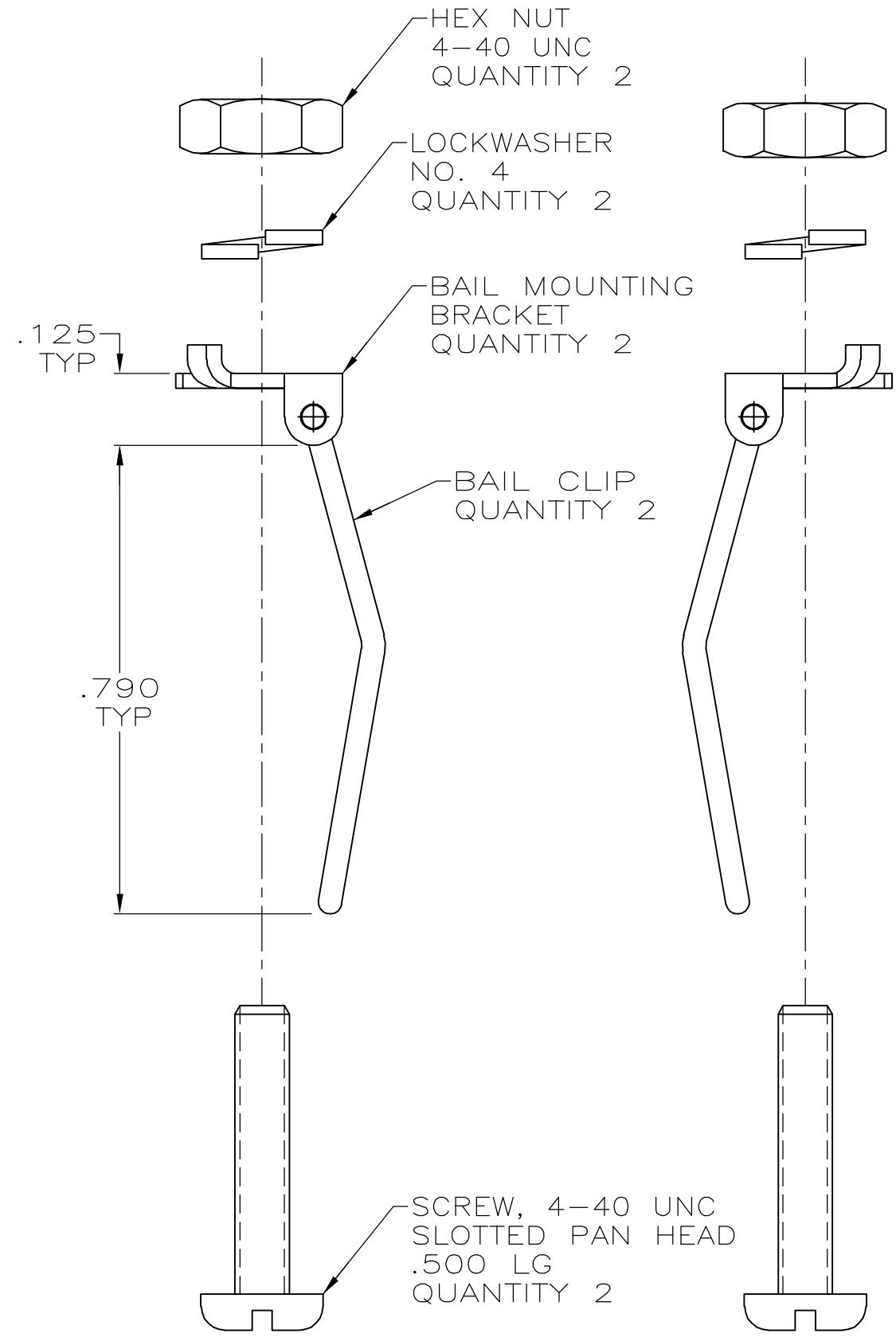
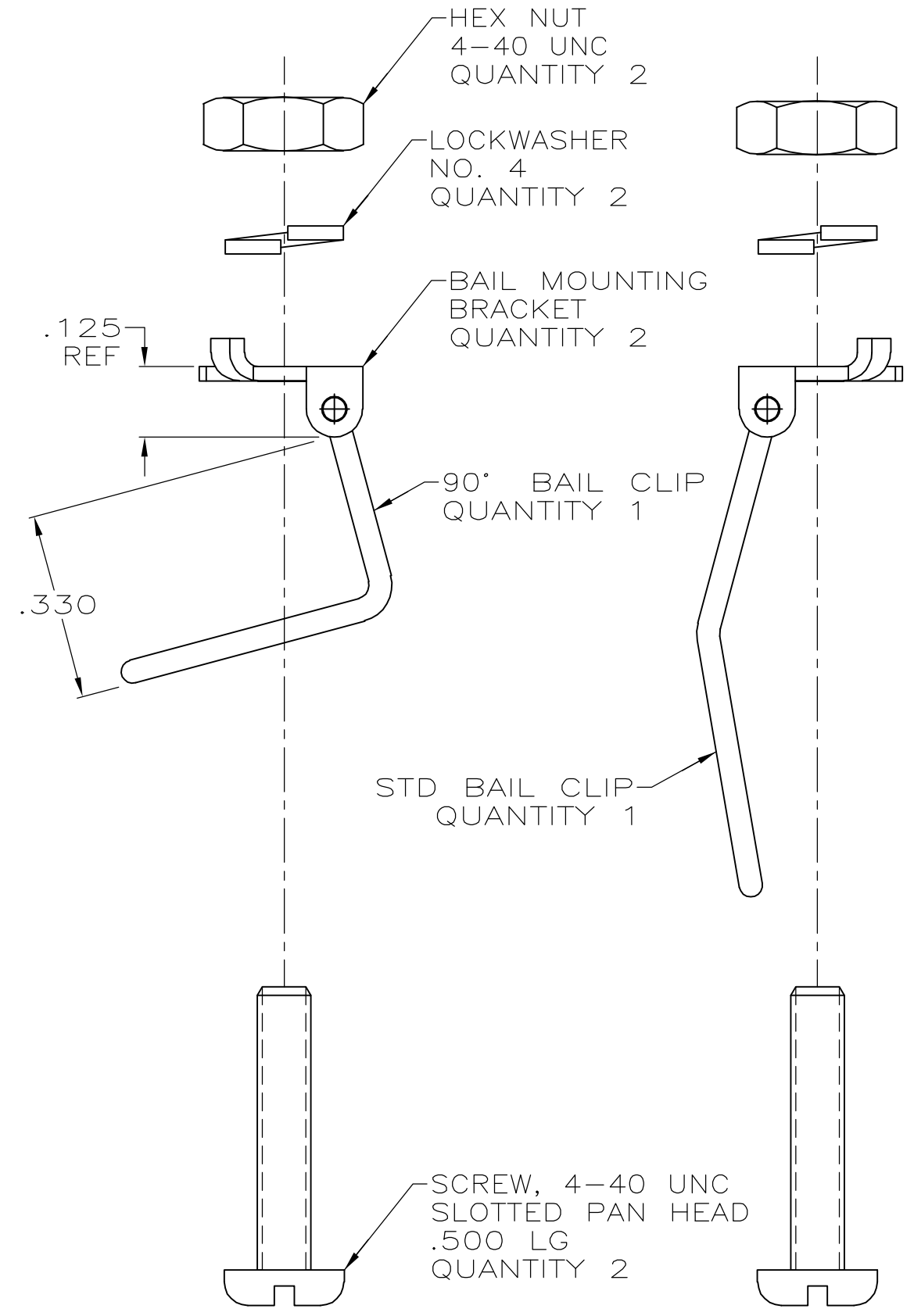


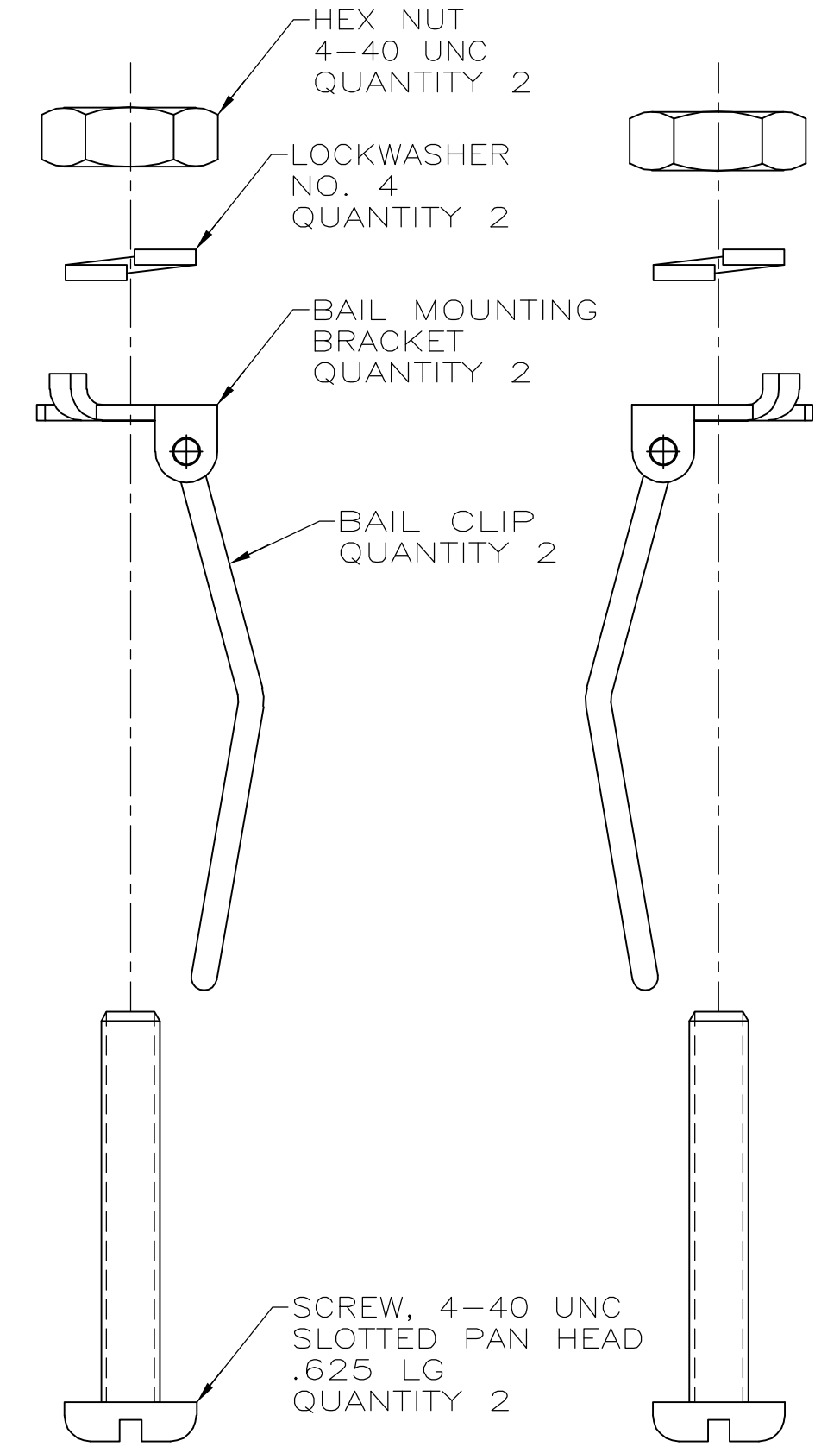
LOC	DIST	REVISIONS			
P	LTR	DESCRIPTION	DATE	DWN	APVD
0		RELEASED PER EC 0513-0288-05	26SEP05	GP	JG



PN 5552567-1



PN 5552567-2



PN 5552567-3

1 MATERIAL: BAIL CLIP - STAINLESS STEEL, PASSIVATED;
 ALL OTHERS PARTS ZINC PLATED STEEL.
 2. PARTS SHIPPED LOOSE PIECE IN A BAG OR CONTAINER.

SCREW LGTH.	90° BAIL CLIP	STD. BAIL CLIP	PART NO.
.625	-	2	5552567-3
.500	1	1	5552567-2
.500	-	2	5552567-1

THIS DRAWING IS A CONTROLLED DOCUMENT.

DWN G.PETERS 26SEP2005	Tyco Electronics Corporation Harrisburg, Pa 17105-3608
CHK W.MILLHIMES 226SEP05	
APVD M.WALMSLEY 26SEP05	
NAME	
DIMENSIONS: mm [INCHES]	TOLERANCES UNLESS OTHERWISE SPECIFIED:
0 PLC ± -	1 PLC ± -
2 PLC ± -	3 PLC ± -
4 PLC ± -	ANGLES ± ± -
MATERIAL	FINISH
1	1
CUSTOMER DRAWING	

SIZE A2	CAGE CODE 00779	DRAWING NO G-5552567	RESTRICTED TO
SCALE 4:1	SHEET 1	OF 1	REV 0