

2N5949 2N5951
2N5952 2N5953

**SILICON
N-CHANNEL JFETS**



www.centrasemi.com

DESCRIPTION:

The CENTRAL SEMICONDUCTOR 2N5949 Series devices are silicon N-Channel JFETs designed for switching, RF amplifier and mixer applications where low capacitance is desired.

MARKING: FULL PART NUMBER



TO-92-18R CASE

MAXIMUM RATINGS: ($T_A=25^\circ\text{C}$)

Gate-Source Voltage
Drain-Gate Voltage
Gate Current
Power Dissipation
Operating and Storage Junction Temperature

SYMBOL		UNITS
V_{GS}	30	V
V_{DG}	30	V
I_G	10	mA
P_D	360	mW
T_J, T_{stg}	-65 to +150	$^\circ\text{C}$

ELECTRICAL CHARACTERISTICS: ($T_A=25^\circ\text{C}$ unless otherwise noted)

SYMBOL	TEST CONDITIONS	2N5949		2N5951		2N5952		2N5953		UNITS
		MIN	MAX	MIN	MAX	MIN	MAX	MIN	MAX	
I_{GSS}	$V_{GS}=15\text{V}, V_{DS}=0$	-	1.0	-	1.0	-	1.0	-	1.0	nA
I_{GSS}	$V_{GS}=15\text{V}, V_{DS}=0, T_A=100^\circ\text{C}$	-	200	-	200	-	200	-	200	nA
I_{DSS}	$V_{DS}=15\text{V}, V_{GS}=0$	12	18	7.0	13	4.0	8.0	2.5	5.0	mA
BV_{GSS}	$I_G=1.0\mu\text{A}$	30	-	30	-	30	-	30	-	V
V_{GS}	$V_{DS}=15\text{V}, I_D=1.2\text{mA}$	2.25	6.0	-	-	-	-	-	-	V
V_{GS}	$V_{DS}=15\text{V}, I_D=0.7\text{mA}$	-	-	1.3	4.5	-	-	-	-	V
V_{GS}	$V_{DS}=15\text{V}, I_D=0.4\text{mA}$	-	-	-	-	0.75	3.0	-	-	V
V_{GS}	$V_{DS}=15\text{V}, I_D=0.25\text{mA}$	-	-	-	-	-	-	0.5	2.5	V
$V_{GS(OFF)}$	$V_{DS}=15\text{V}, I_D=100\text{nA}$	3.0	7.0	2.0	5.0	1.3	3.5	0.8	3.0	V
y_{fs}	$V_{DS}=15\text{V}, V_{GS}=0, f=1.0\text{kHz}$	3.5	7.5	3.5	6.5	2.0	6.5	2.0	6.5	mS
y_{os}	$V_{DS}=15\text{V}, V_{GS}=0, f=1.0\text{kHz}$	-	75	-	75	-	50	-	50	μS
C_{iss}	$V_{DS}=15\text{V}, V_{GS}=0, f=1.0\text{MHz}$	-	6.0	-	6.0	-	6.0	-	6.0	pF
C_{rss}	$V_{DS}=15\text{V}, V_{GS}=0, f=1.0\text{MHz}$	-	2.0	-	2.0	-	2.0	-	2.0	pF
$r_{ds(on)}$	$V_{GS}=0, I_D=0, f=1.0\text{kHz}$	-	200	-	250	-	300	-	375	Ω
g_{is}	$V_{DS}=15\text{V}, V_{GS}=0, f=100\text{MHz}$	-	250	-	250	-	250	-	250	μS
g_{fs}	$V_{DS}=15\text{V}, V_{GS}=0, f=100\text{MHz}$	3.0	7.5	3.0	6.5	1.0	6.5	1.0	6.5	mS
g_{os}	$V_{DS}=15\text{V}, V_{GS}=0, f=100\text{MHz}$	-	150	-	100	-	75	-	50	μS
NF	$V_{DS}=15\text{V}, V_{GS}=0, f=100\text{MHz}, R_G=1.0\text{k}\Omega$	-	5.0	-	5.0	-	5.0	-	5.0	dB
NF	$V_{DS}=15\text{V}, V_{GS}=0, f=1.0\text{kHz}, R_G=1.0\text{M}\Omega$	-	2.0	-	2.0	-	2.0	-	2.0	dB
V_N	$V_{DS}=15\text{V}, V_{GS}=0, f=1.0\text{kHz}$	-	100	-	100	-	100	-	100	$\text{nV}/\sqrt{\text{Hz}}$

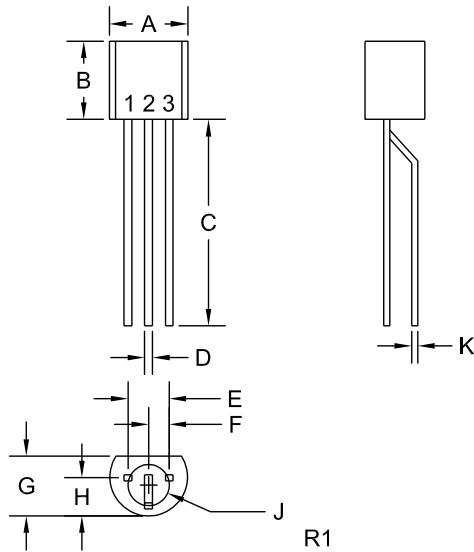
R1 (25-April 2018)

2N5949 2N5951
2N5952 2N5953

SILICON
N-CHANNEL JFETS



TO-92-18R CASE - MECHANICAL OUTLINE



SYMBOL	INCHES		MILLIMETERS	
	MIN	MAX	MIN	MAX
A (DIA)	0.175	0.205	4.45	5.21
B	0.170	0.210	4.32	5.33
C	0.500	-	12.70	-
D	0.016	0.022	0.41	0.56
E	0.100		2.54	
F	0.050		1.27	
G	0.125	0.165	3.18	4.19
H	0.080	0.105	2.03	2.67
J (DIA)	0.100		2.54	
K	0.015		0.38	

TO-92-18R (REV: R1)

LEAD CODE:

- 1) Gate
- 2) Source
- 3) Drain

MARKING:

FULL PART NUMBER

R1 (25-April 2018)

OUTSTANDING SUPPORT AND SUPERIOR SERVICES



PRODUCT SUPPORT

Central's operations team provides the highest level of support to insure product is delivered on-time.

- Supply management (Customer portals)
- Inventory bonding
- Consolidated shipping options
- Custom bar coding for shipments
- Custom product packing

DESIGNER SUPPORT/SERVICES

Central's applications engineering team is ready to discuss your design challenges. Just ask.

- Free quick ship samples (2nd day air)
- Online technical data and parametric search
- SPICE models
- Custom electrical curves
- Environmental regulation compliance
- Customer specific screening
- Up-screening capabilities
- Special wafer diffusions
- PbSn plating options
- Package details
- Application notes
- Application and design sample kits
- Custom product and package development

REQUESTING PRODUCT PLATING

1. If requesting Tin/Lead plated devices, add the suffix " TIN/LEAD" to the part number when ordering (example: 2N2222A TIN/LEAD).
2. If requesting Lead (Pb) Free plated devices, add the suffix " PBFREE" to the part number when ordering (example: 2N2222A PBFREE).

CONTACT US

Corporate Headquarters & Customer Support Team

Central Semiconductor Corp.
145 Adams Avenue
Hauppauge, NY 11788 USA
Main Tel: (631) 435-1110
Main Fax: (631) 435-1824
Support Team Fax: (631) 435-3388
www.centrasemi.com

Worldwide Field Representatives:
www.centrasemi.com/wwreps

Worldwide Distributors:
www.centrasemi.com/wwdistributors

For the latest version of Central Semiconductor's **LIMITATIONS AND DAMAGES DISCLAIMER**, which is part of Central's Standard Terms and Conditions of sale, visit: www.centrasemi.com/terms



<http://www.centrasemi.com>

Product End of Life Notification

PDN ID:	PDN01101
Notification Date:	1/18/19
Last Buy Date:	7/18/19
Last Shipment Date	1/18/20

Summary: The Junction Field Effect Transistors (JFETs) listed below are discontinued and now classified as End of Life (EOL).

Although Central Semiconductor Corp. makes every effort to continue to produce devices that have been proclaimed EOL (End of Life) by other manufacturers, it is an accepted industry practice to discontinue certain devices when customer demand falls below a minimum level of sustainability. Accordingly, the following product(s) have been transitioned to End of Life status as part of Central's ongoing Product Management Process. Any replacement products are noted below. The effective date for placing last purchase orders will be six (6) months from the date of this notice and twelve (12) months from the notice date for final shipments, and minimum order quantities may apply. The last purchase and shipment dates may be extended if inventory is available.

<u>Central Part Number</u>	<u>Replacement</u>
BF244B	N/A, Stock Only
BF244C	N/A, Stock Only
BF246A	N/A, Stock Only
BSV79	N/A, Stock Only
BSV80	N/A, Stock Only
CMPFJ310 BK	N/A, Stock Only
CMPFJ310 TR	N/A, Stock Only
PN4302	N/A, Stock Only
PN5033	N/A, Stock Only
2N2608	N/A, Stock Only
2N3820	N/A, Stock Only
2N3955	N/A, Stock Only
2N4340	N/A, Stock Only
2N4341	N/A, Stock Only
2N5115	N/A, Stock Only
2N5953	N/A, Stock Only

Central would be happy to assist you by providing additional information or technical data to help locate an alternate source if we have no replacement available. Please email your requests to engineering@centrasemi.com.

DISCLAIMER: This End of Life (EOL) notification is in accordance with JEDEC standard JESD48 - Product Discontinuance. Central Semiconductor Corp. will make every effort to offer life-time buy (LTB) opportunities and/or offer replacement devices to existing customers for discontinued devices, however, one or both may not be possible for all devices. Please contact your local Central Semiconductor sales representative for LTB opportunities/additional information.