

# 74HC4351; 74HCT4351

## 8-channel analog multiplexer/demultiplexer with latch

Rev. 4 — 4 August 2021

Product data sheet

## 1. General description

The 74HC4351; 74HCT4351 is a single-pole octal-throw analog switch (SP8T) suitable for use in analog or digital 8:1 multiplexer/demultiplexer applications. The switch features three digital select inputs (S0 to S2), eight independent inputs/outputs (Yn), a common input/output (Z) and two digital enable inputs (E1 and E2). With E1 LOW and E2 HIGH, one of the eight switches is selected (low impedance ON-state) by S0 to S2. The data at the select inputs may be latched by using the latch enable input ( $\overline{LE}$ ). When  $\overline{LE}$  is HIGH the latch is transparent. When  $\overline{E1}$  is HIGH or E2 is LOW all 8 analog switches are turned off. Inputs include clamp diodes. This enables the use of current limiting resistors to interface inputs to voltages in excess of  $V_{CC}$ .

## 2. Features and benefits

- Wide analog input voltage range from -5 V to +5 V
- Complies with JEDEC standard no. 7A
- Low ON resistance:
  - 80  $\Omega$  (typical) at  $V_{CC} - V_{EE} = 4.5$  V
  - 70  $\Omega$  (typical) at  $V_{CC} - V_{EE} = 6.0$  V
  - 60  $\Omega$  (typical) at  $V_{CC} - V_{EE} = 9.0$  V
- Logic level translation: to enable 5 V logic to communicate with  $\pm 5$  V analog signals
- Typical 'break before make' built-in
- Address latches provided
- ESD protection:
  - HBM JESD22-A114F exceeds 2000 V
  - MM JESD22-A115-A exceeds 200 V
  - CDM JESD22-C101E exceeds 1000 V
- Specified from -40 °C to +85 °C and -40 °C to +125 °C

## 3. Applications

- Analog multiplexing and demultiplexing
- Digital multiplexing and demultiplexing
- Signal gating

## 4. Ordering information

Table 1. Ordering information

Type number	Package			Version
	Temperature range	Name	Description	
74HC4351D	-40 °C to +125 °C	SO20	plastic small outline package; 20 leads; body width 7.5 mm	SOT163-1
74HCT4351D				
74HC4351DB	-40 °C to +125 °C	SSOP20	plastic shrink small outline package; 20 leads; body width 5.3 mm	SOT339-1
74HC4351PW	-40 °C to +125 °C	TSSOP20	plastic thin shrink small outline package; 20 leads; body width 4.4 mm	SOT360-1

5. Functional diagram

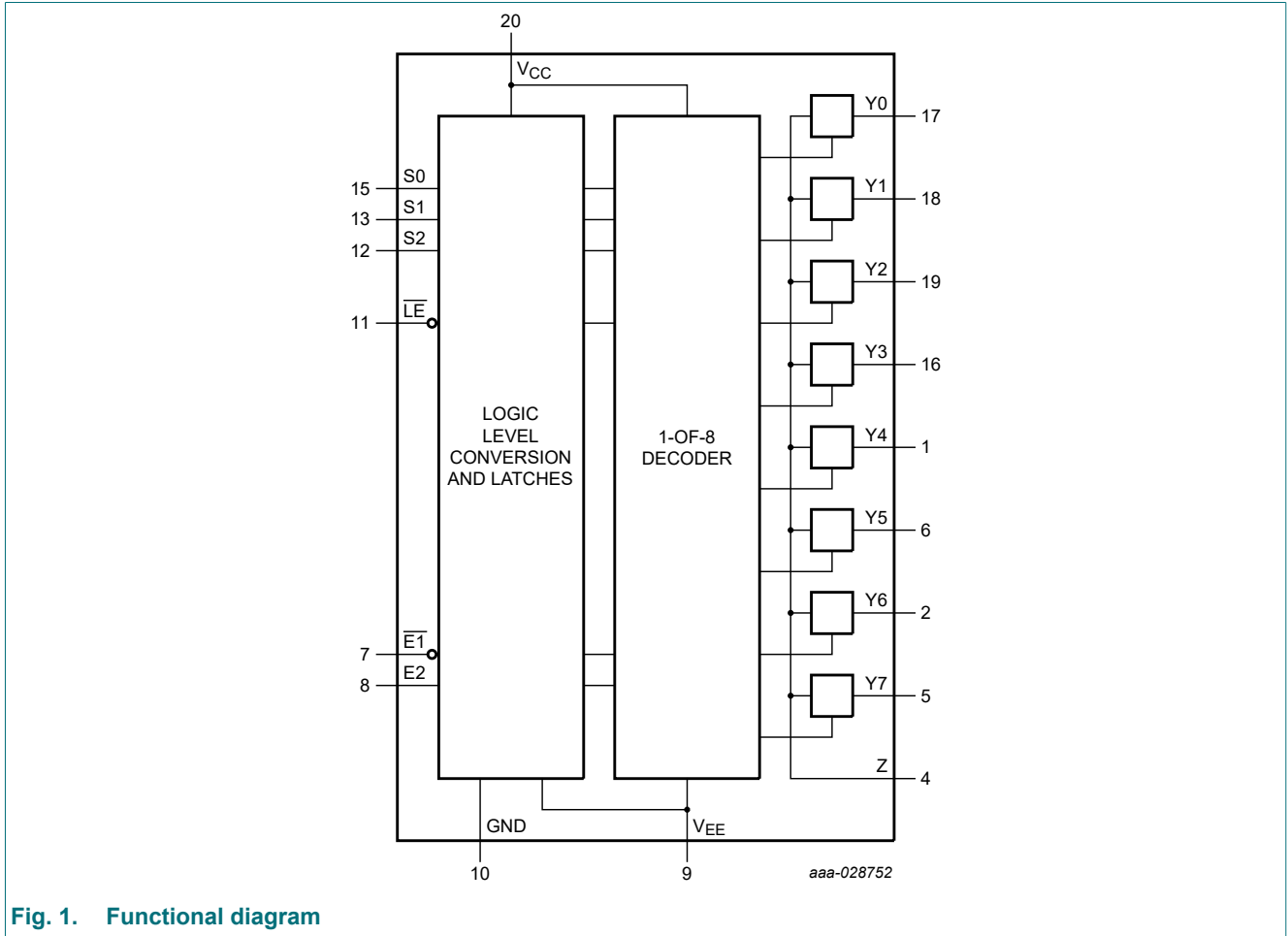


Fig. 1. Functional diagram

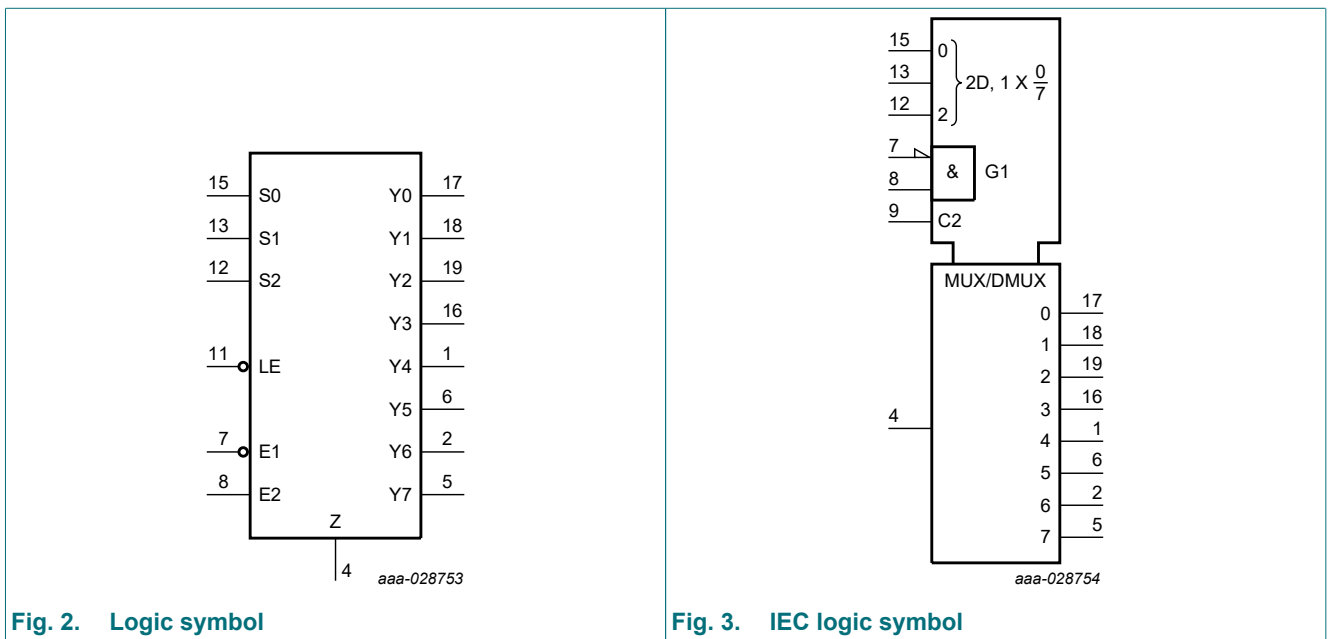


Fig. 2. Logic symbol

Fig. 3. IEC logic symbol

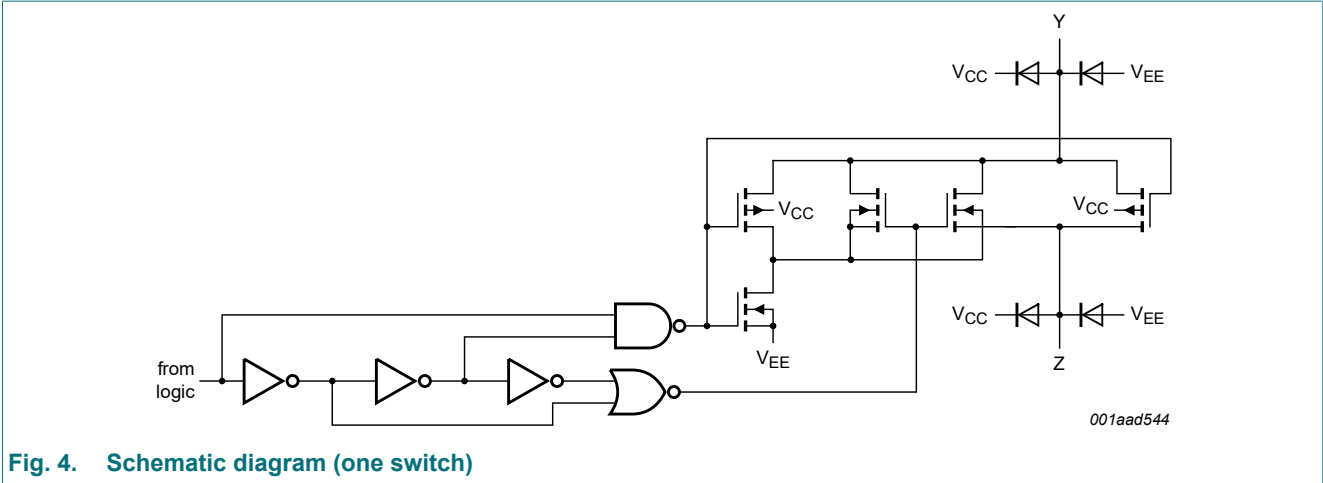


Fig. 4. Schematic diagram (one switch)

## 6. Pinning information

### 6.1. Pinning

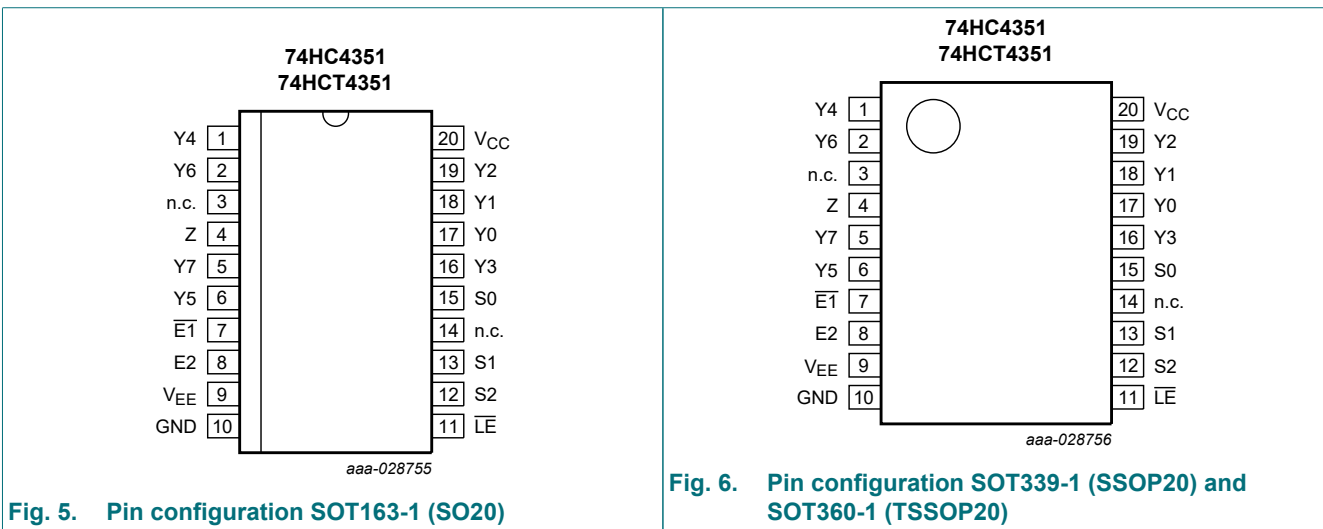


Fig. 5. Pin configuration SOT163-1 (SO20)

Fig. 6. Pin configuration SOT339-1 (SSOP20) and SOT360-1 (TSSOP20)

### 6.2. Pin description

Table 2. Pin description

Symbol	Pin	Description
$\overline{E1}$	7	enable input (active LOW)
E2	8	enable input (active HIGH)
$\overline{LE}$	11	latch enable input (active LOW)
S0, S1, S2	15, 13, 12	select inputs
Y0, Y1, Y2, Y3, Y4, Y5, Y6, Y7	17, 18, 19, 16, 1, 6, 2, 5	independent input or output
Z	4	common output or input
$V_{EE}$	9	supply voltage
GND	10	ground (0 V)
$V_{CC}$	20	supply voltage
n.c.	3, 14	not connected

## 7. Functional description

**Table 3. Function table**

H = HIGH voltage level; L = LOW voltage level; X = don't care; ↓ = HIGH-to-LOW LE transition.

Input						Channel ON
E1	E2	LE	S2	S1	S0	
H	X	X	X	X	X	none
X	L	X	X	X	X	none
L	H	H	L	L	L	Y0
L	H	H	L	L	H	Y1
L	H	H	L	H	L	Y2
L	H	H	L	H	H	Y3
L	H	H	H	L	L	Y4
L	H	H	H	L	H	Y5
L	H	H	H	H	L	Y6
L	H	H	H	H	H	Y7
L	H	L	X	X	X	last selected channel "ON"
X	X	↓	X	X	X	select channels latched

## 8. Limiting values

**Table 4. Limiting values**

In accordance with the Absolute Maximum Rating System (IEC 60134). Voltages are referenced to  $V_{SS} = 0$  V (ground).

Symbol	Parameter	Conditions	Min	Max	Unit
$V_{CC}$	supply voltage	[1]	-0.5	+11.0	V
$I_{IK}$	input clamping current	$V_I < -0.5$ V or $V_I > V_{CC} + 0.5$ V	-	±20	mA
$I_{SK}$	switch clamping current	$V_{SW} < -0.5$ V or $V_{SW} > V_{CC} + 0.5$ V	-	±20	mA
$I_{SW}$	switch current	$-0.5$ V < $V_{SW} < V_{CC} + 0.5$ V	-	±25	mA
$I_{EE}$	supply current		-	±20	mA
$I_{CC}$	supply current		-	50	mA
$I_{GND}$	ground current		-50	-	mA
$T_{stg}$	storage temperature		-65	+150	°C
$P_{tot}$	total power dissipation	$T_{amb} = -40$ °C to +125 °C [2]	-	500	mW
P	power dissipation	per switch	-	100	mW

[1] To avoid drawing  $V_{CC}$  current out of terminal Z, when switch current flows into terminals Yn, the voltage drop across the bidirectional switch must not exceed 0.4 V. If the switch current flows into terminal Z, no  $V_{CC}$  current will flow out of terminals Yn. In this case there is no limit for the voltage drop across the switch, but the voltages at Yn and Z may not exceed  $V_{CC}$  or  $V_{EE}$ .

[2] For SOT163-1 (SO20) package:  $P_{tot}$  derates linearly with 12.3 mW/K above 109 °C.  
 For SOT339-1 (SSOP20) package:  $P_{tot}$  derates linearly with 10.0 mW/K above 100 °C.  
 For SOT360-1 (TSSOP20) package:  $P_{tot}$  derates linearly with 10.0 mW/K above 100 °C.

## 9. Recommended operating conditions

Table 5. Recommended operating conditions

Symbol	Parameter	Conditions	74HC4351			74HCT4351			Unit
			Min	Typ	Max	Min	Typ	Max	
V <sub>CC</sub>	supply voltage	see Fig. 7 and Fig. 8							
		V <sub>CC</sub> - GND	2.0	5.0	10.0	4.5	5.0	5.5	V
		V <sub>CC</sub> - V <sub>EE</sub>	2.0	5.0	10.0	2.0	5.0	10.0	V
V <sub>I</sub>	input voltage		GND	-	V <sub>CC</sub>	GND	-	V <sub>CC</sub>	V
V <sub>SW</sub>	switch voltage		V <sub>EE</sub>	-	V <sub>CC</sub>	V <sub>EE</sub>	-	V <sub>CC</sub>	V
T <sub>amb</sub>	ambient temperature		-40	+25	+125	-40	+25	+125	°C
Δt/ΔV	input transition rise and fall rate	V <sub>CC</sub> = 2.0 V	-	-	625	-	-	-	ns/V
		V <sub>CC</sub> = 4.5 V	-	1.67	139	-	1.67	139	ns/V
		V <sub>CC</sub> = 6.0 V	-	-	83	-	-	-	ns/V
		V <sub>CC</sub> = 10.0 V	-	-	31	-	-	-	ns/V

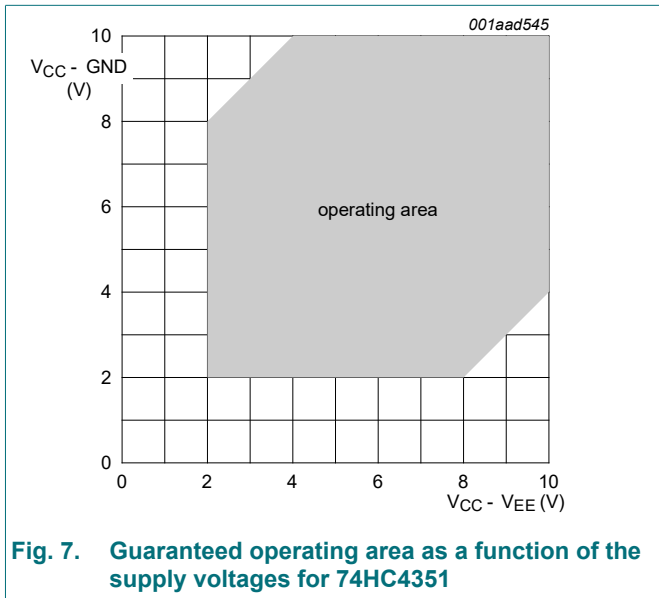


Fig. 7. Guaranteed operating area as a function of the supply voltages for 74HC4351

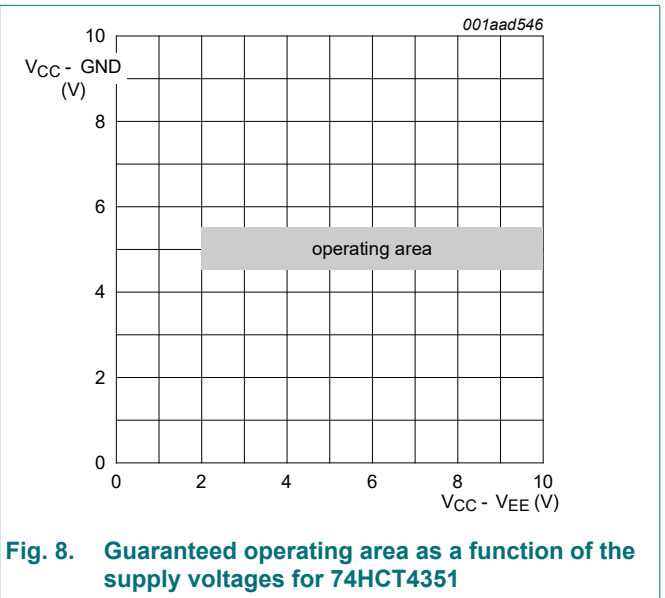


Fig. 8. Guaranteed operating area as a function of the supply voltages for 74HCT4351

## 10. Static characteristics

**Table 6.  $R_{ON}$  resistance per latch for 74HC4351 and 74HCT4351**

For test circuit, see Fig. 9

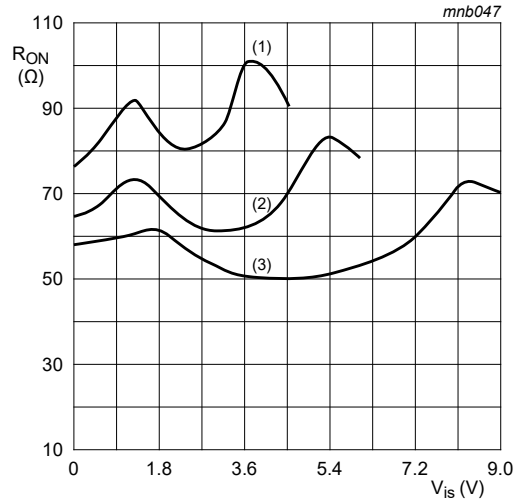
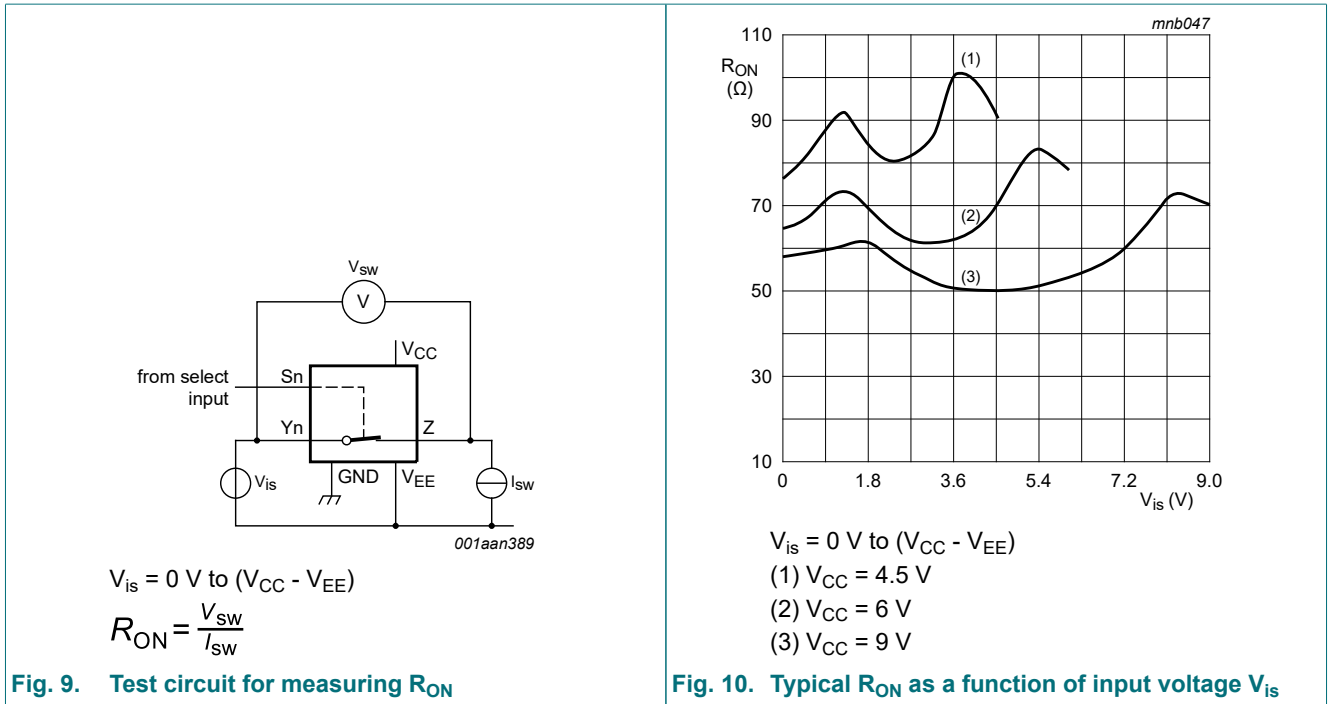
For 74HC4351:  $V_I = V_{IH}$  or  $V_{IL}$ ;  $V_{CC} - GND$  or  $V_{CC} - V_{EE} = 2.0\text{ V}$ ,  $4.5\text{ V}$ ,  $6.0\text{ V}$  and  $9.0\text{ V}$ .

For 74HCT4351:  $V_I = V_{IH}$  or  $V_{IL}$ ;  $V_{CC} - GND = 4.5\text{ V}$  and  $5.5\text{ V}$ ,  $V_{CC} - V_{EE} = 2.0\text{ V}$ ,  $4.5\text{ V}$ ,  $6.0\text{ V}$  and  $9.0\text{ V}$ .

Symbol	Parameter	Conditions	25 °C			-40 °C to +85 °C		-40 °C to +125 °C		Unit
			Min	Typ	Max	Min	Max	Min	Max	
$R_{ON(peak)}$	ON resistance (peak)	$V_{is} = V_{CC}$ to $V_{EE}$ [1]								
		$V_{CC} = 2.0\text{ V}$ ; $V_{EE} = 0\text{ V}$ ; $I_{SW} = 100\text{ }\mu\text{A}$ [2]	-	-	-	-	-	-	-	$\Omega$
		$V_{CC} = 4.5\text{ V}$ ; $V_{EE} = 0\text{ V}$ ; $I_{SW} = 1000\text{ }\mu\text{A}$	-	100	180	-	225	-	270	$\Omega$
		$V_{CC} = 6.0\text{ V}$ ; $V_{EE} = 0\text{ V}$ ; $I_{SW} = 1000\text{ }\mu\text{A}$	-	90	160	-	200	-	240	$\Omega$
		$V_{CC} = 4.5\text{ V}$ ; $V_{EE} = -4.5\text{ V}$ ; $I_{SW} = 1000\text{ }\mu\text{A}$	-	70	130	-	165	-	195	$\Omega$
$R_{ON(rail)}$	ON resistance (rail)	$V_{is} = V_{EE}$ [1]								
		$V_{CC} = 2.0\text{ V}$ ; $V_{EE} = 0\text{ V}$ ; $I_{SW} = 100\text{ }\mu\text{A}$ [2]	-	150	-	-	-	-	-	$\Omega$
		$V_{CC} = 4.5\text{ V}$ ; $V_{EE} = 0\text{ V}$ ; $I_{SW} = 1000\text{ }\mu\text{A}$	-	80	140	-	175	-	210	$\Omega$
		$V_{CC} = 6.0\text{ V}$ ; $V_{EE} = 0\text{ V}$ ; $I_{SW} = 1000\text{ }\mu\text{A}$	-	70	120	-	150	-	180	$\Omega$
		$V_{CC} = 4.5\text{ V}$ ; $V_{EE} = -4.5\text{ V}$ ; $I_{SW} = 1000\text{ }\mu\text{A}$	-	60	105	-	130	-	160	$\Omega$
		$V_{is} = V_{CC}$ [1]								
		$V_{CC} = 2.0\text{ V}$ ; $V_{EE} = 0\text{ V}$ ; $I_{SW} = 100\text{ }\mu\text{A}$ [2]	-	150	-	-	-	-	-	$\Omega$
		$V_{CC} = 4.5\text{ V}$ ; $V_{EE} = 0\text{ V}$ ; $I_{SW} = 1000\text{ }\mu\text{A}$	-	90	160	-	200	-	240	$\Omega$
		$V_{CC} = 6.0\text{ V}$ ; $V_{EE} = 0\text{ V}$ ; $I_{SW} = 1000\text{ }\mu\text{A}$	-	80	140	-	175	-	210	$\Omega$
		$V_{CC} = 4.5\text{ V}$ ; $V_{EE} = -4.5\text{ V}$ ; $I_{SW} = 1000\text{ }\mu\text{A}$	-	65	120	-	150	-	180	$\Omega$
$\Delta R_{ON}$	ON resistance mismatch between channels	$V_{is} = V_{CC}$ to $V_{EE}$ [1]								
		$V_{CC} = 2.0\text{ V}$ ; $V_{EE} = 0\text{ V}$ [2]	-	-	-	-	-	-	-	$\Omega$
		$V_{CC} = 4.5\text{ V}$ ; $V_{EE} = 0\text{ V}$	-	9	-	-	-	-	-	$\Omega$
		$V_{CC} = 6.0\text{ V}$ ; $V_{EE} = 0\text{ V}$	-	8	-	-	-	-	-	$\Omega$
		$V_{CC} = 4.5\text{ V}$ ; $V_{EE} = -4.5\text{ V}$	-	6	-	-	-	-	-	$\Omega$

[1]  $V_{is}$  is the input voltage at a Yn or Z terminal, whichever is assigned as an input.

[2] When supply voltages ( $V_{CC} - V_{EE}$ ) near 2.0 V the analog switch ON resistance becomes extremely non-linear. When using a supply of 2 V, it is recommended to use these devices only for transmitting digital signals.



$V_{is} = 0 \text{ V to } (V_{CC} - V_{EE})$

- (1)  $V_{CC} = 4.5 \text{ V}$
- (2)  $V_{CC} = 6 \text{ V}$
- (3)  $V_{CC} = 9 \text{ V}$

**Table 7. Static characteristics**

Voltages are referenced to GND (ground = 0 V);

$V_{is}$  is the input voltage at pins  $Y_n$  or  $Z$ , whichever is assigned as an input;

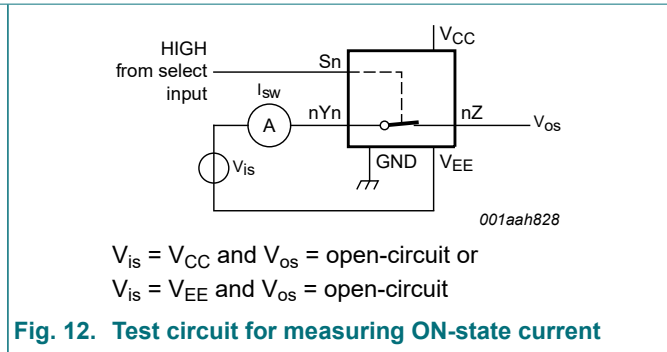
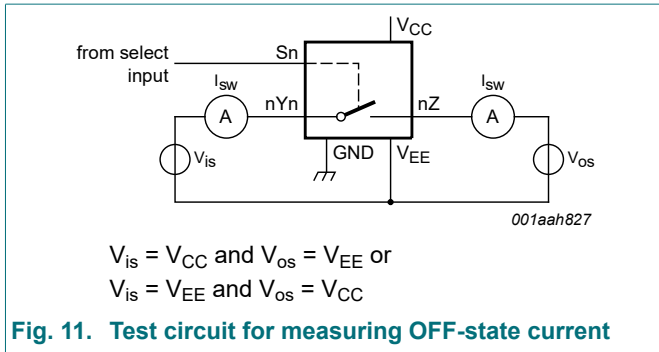
$V_{os}$  is the output voltage at pins  $Z$  or  $Y_n$ , whichever is assigned as an output.

Symbol	Parameter	Conditions	25 °C			-40 °C to +85 °C		-40 °C to +125 °C		Unit
			Min	Typ	Max	Min	Max	Min	Max	
<b>74HC4351</b>										
$V_{IH}$	HIGH-level input voltage	$V_{CC} = 2.0 \text{ V}$	1.5	1.2	-	1.5	-	1.5	-	V
		$V_{CC} = 4.5 \text{ V}$	3.15	2.4	-	3.15	-	3.15	-	V
		$V_{CC} = 6.0 \text{ V}$	4.2	3.2	-	4.2	-	4.2	-	V
		$V_{CC} = 9.0 \text{ V}$	6.3	4.7	-	6.3	-	6.3	-	V
$V_{IL}$	LOW-level input voltage	$V_{CC} = 2.0 \text{ V}$	-	0.8	0.5	-	0.5	-	0.5	V
		$V_{CC} = 4.5 \text{ V}$	-	2.1	1.35	-	1.35	-	1.35	V
		$V_{CC} = 6.0 \text{ V}$	-	2.8	1.8	-	1.8	-	1.8	V
		$V_{CC} = 9.0 \text{ V}$	-	4.3	2.7	-	2.7	-	2.7	V
$I_I$	input leakage current	$V_{EE} = 0 \text{ V}; V_I = V_{CC} \text{ or } \text{GND}$								
		$V_{CC} = 6.0 \text{ V}$	-	-	$\pm 0.1$	-	$\pm 1.0$	-	$\pm 1.0$	$\mu\text{A}$
		$V_{CC} = 10.0 \text{ V}$	-	-	$\pm 0.2$	-	$\pm 2.0$	-	$\pm 2.0$	$\mu\text{A}$
$I_{S(OFF)}$	OFF-state leakage current	$V_{CC} = 10.0 \text{ V}; V_{EE} = 0 \text{ V};$ $V_I = V_{IH} \text{ or } V_{IL};$ $ V_{SW}  = V_{CC} - V_{EE};$ see Fig. 11								
		per channel	-	-	$\pm 0.1$	-	$\pm 1.0$	-	$\pm 1.0$	$\mu\text{A}$
		all channels	-	-	$\pm 0.4$	-	$\pm 4.0$	-	$\pm 4.0$	$\mu\text{A}$
$I_{S(ON)}$	ON-state leakage current	$V_{CC} = 10.0 \text{ V}; V_{EE} = 0 \text{ V};$ $V_I = V_{IH} \text{ or } V_{IL};$ $ V_{SW}  = V_{CC} - V_{EE};$ see Fig. 12	-	-	$\pm 0.4$	-	$\pm 4.0$	-	$\pm 4.0$	$\mu\text{A}$

## 8-channel analog multiplexer/demultiplexer with latch

Symbol	Parameter	Conditions	25 °C			-40 °C to +85 °C		-40 °C to +125 °C		Unit
			Min	Typ	Max	Min	Max	Min	Max	
I <sub>CC</sub>	supply current	V <sub>EE</sub> = 0 V; V <sub>I</sub> = V <sub>CC</sub> or GND; V <sub>is</sub> = V <sub>EE</sub> or V <sub>CC</sub> ; V <sub>os</sub> = V <sub>CC</sub> or V <sub>EE</sub>								
		V <sub>CC</sub> = 6.0 V	-	-	8.0	-	80.0	-	160.0	μA
		V <sub>CC</sub> = 10.0 V	-	-	16.0	-	160.0	-	320.0	μA
C <sub>I</sub>	input capacitance		-	3.5	-	-	-	-	-	pF
C <sub>sw</sub>	switch capacitance	independent pins Yn	-	5	-	-	-	-	-	pF
		common pins Z	-	25	-	-	-	-	-	pF
<b>74HCT4351</b>										
V <sub>IH</sub>	HIGH-level input voltage	V <sub>CC</sub> = 4.5 V to 5.5 V	2.0	1.6	-	2.0	-	2.0	-	V
V <sub>IL</sub>	LOW-level input voltage	V <sub>CC</sub> = 4.5 V to 5.5 V	-	1.2	0.8	-	0.8	-	0.8	V
I <sub>I</sub>	input leakage current	V <sub>I</sub> = V <sub>CC</sub> or GND; V <sub>CC</sub> = 5.5 V; V <sub>EE</sub> = 0 V	-	-	±0.1	-	±1.0	-	±1.0	μA
I <sub>S(OFF)</sub>	OFF-state leakage current	V <sub>CC</sub> = 10.0 V; V <sub>EE</sub> = 0 V; V <sub>I</sub> = V <sub>IH</sub> or V <sub>IL</sub> ;  V <sub>SW</sub>   = V <sub>CC</sub> - V <sub>EE</sub> ; see Fig. 11								
		per channel	-	-	±0.1	-	±1.0	-	±1.0	μA
		all channels	-	-	±0.4	-	±4.0	-	±4.0	μA
I <sub>S(ON)</sub>	ON-state leakage current	V <sub>CC</sub> = 10.0 V; V <sub>EE</sub> = 0 V; V <sub>I</sub> = V <sub>IH</sub> or V <sub>IL</sub> ;  V <sub>SW</sub>   = V <sub>CC</sub> - V <sub>EE</sub> ; see Fig. 12	-	-	±0.4	-	±4.0	-	±4.0	μA
I <sub>CC</sub>	supply current	V <sub>I</sub> = V <sub>CC</sub> or GND; V <sub>is</sub> = V <sub>EE</sub> or V <sub>CC</sub> ; V <sub>os</sub> = V <sub>CC</sub> or V <sub>EE</sub>								
		V <sub>CC</sub> = 5.5 V; V <sub>EE</sub> = 0 V	-	-	8.0	-	80.0	-	160.0	μA
		V <sub>CC</sub> = 5.0 V; V <sub>EE</sub> = -5.0 V	-	-	16.0	-	160.0	-	320.0	μA
ΔI <sub>CC</sub>	additional supply current	per input; other inputs at V <sub>CC</sub> or GND; V <sub>I</sub> = V <sub>CC</sub> - 2.1 V; V <sub>CC</sub> = 4.5 V to 5.5 V; V <sub>EE</sub> = 0 V								
		inputs $\bar{E}1$ , E2 and Sn	-	50	180	-	225	-	245	μA
		input LE	-	150	540	-	675	-	735	μA
C <sub>I</sub>	input capacitance		-	3.5	-	-	-	-	-	pF
C <sub>sw</sub>	switch capacitance	independent pins Yn	-	5	-	-	-	-	-	pF
		common pins Z	-	25	-	-	-	-	-	pF





## 11. Dynamic characteristics

**Table 8. Dynamic characteristics**

$GND = 0\text{ V}$ ;  $t_r = t_f = 6\text{ ns}$ ;  $C_L = 50\text{ pF}$ ; for test circuit see [Fig. 16](#).

$V_{is}$  is the input voltage at pins  $Y_n$  or  $Z$ , whichever is assigned as an input;

$V_{os}$  is the output voltage at pins  $Z$  or  $Y_n$ , whichever is assigned as an output.

Symbol	Parameter	Conditions	25 °C			-40 °C to +85 °C		-40 °C to +125 °C		Unit	
			Min	Typ	Max	Min	Max	Min	Max		
<b>74HC4351</b>											
$t_{pd}$	propagation delay	$V_{is}$ to $V_{os}$ ; $R_L = \infty\ \Omega$ ; see <a href="#">Fig. 13</a> [1]									
		$V_{CC} = 2.0\text{ V}$ ; $V_{EE} = 0\text{ V}$	-	14	60	-	75	-	90	ns	
		$V_{CC} = 4.5\text{ V}$ ; $V_{EE} = 0\text{ V}$	-	5	12	-	15	-	18	ns	
		$V_{CC} = 6.0\text{ V}$ ; $V_{EE} = 0\text{ V}$	-	4	10	-	13	-	15	ns	
		$V_{CC} = 4.5\text{ V}$ ; $V_{EE} = -4.5\text{ V}$	-	4	8	-	10	-	12	ns	
$t_{on}$	turn-ON time	$E1$ to $V_{os}$ ; $R_L = 1\text{ k}\Omega$ ; see <a href="#">Fig. 14</a>									
		$V_{CC} = 2.0\text{ V}$ ; $V_{EE} = 0\text{ V}$	-	85	300	-	375	-	450	ns	
		$V_{CC} = 4.5\text{ V}$ ; $V_{EE} = 0\text{ V}$	-	31	60	-	75	-	90	ns	
		$V_{CC} = 6.0\text{ V}$ ; $V_{EE} = 0\text{ V}$	-	25	51	-	64	-	77	ns	
		$V_{CC} = 4.5\text{ V}$ ; $V_{EE} = -4.5\text{ V}$	-	28	55	-	69	-	83	ns	
		$E2$ to $V_{os}$ ; $R_L = 1\text{ k}\Omega$ ; see <a href="#">Fig. 14</a>									
		$V_{CC} = 2.0\text{ V}$ ; $V_{EE} = 0\text{ V}$	-	85	300	-	375	-	450	ns	
		$V_{CC} = 4.5\text{ V}$ ; $V_{EE} = 0\text{ V}$	-	31	60	-	75	-	90	ns	
		$V_{CC} = 6.0\text{ V}$ ; $V_{EE} = 0\text{ V}$	-	25	51	-	64	-	77	ns	
		$V_{CC} = 4.5\text{ V}$ ; $V_{EE} = -4.5\text{ V}$	-	25	55	-	69	-	83	ns	
		$\overline{LE}$ to $V_{os}$ ; $R_L = 1\text{ k}\Omega$ ; see <a href="#">Fig. 14</a>									
		$V_{CC} = 2.0\text{ V}$ ; $V_{EE} = 0\text{ V}$	-	91	300	-	375	-	450	ns	
		$V_{CC} = 4.5\text{ V}$ ; $V_{EE} = 0\text{ V}$	-	33	60	-	75	-	90	ns	
		$V_{CC} = 6.0\text{ V}$ ; $V_{EE} = 0\text{ V}$	-	26	51	-	64	-	77	ns	
		$V_{CC} = 4.5\text{ V}$ ; $V_{EE} = -4.5\text{ V}$	-	27	55	-	69	-	83	ns	
		$Sn$ to $V_{os}$ ; $R_L = 1\text{ k}\Omega$ ; see <a href="#">Fig. 14</a>									
$V_{CC} = 2.0\text{ V}$ ; $V_{EE} = 0\text{ V}$	-	88	300	-	375	-	450	ns			
$V_{CC} = 4.5\text{ V}$ ; $V_{EE} = 0\text{ V}$	-	32	60	-	75	-	90	ns			
$V_{CC} = 6.0\text{ V}$ ; $V_{EE} = 0\text{ V}$	-	26	51	-	64	-	77	ns			
$V_{CC} = 4.5\text{ V}$ ; $V_{EE} = -4.5\text{ V}$	-	25	50	-	63	-	75	ns			

## 8-channel analog multiplexer/demultiplexer with latch

Symbol	Parameter	Conditions	25 °C			-40 °C to +85 °C		-40 °C to +125 °C		Unit
			Min	Typ	Max	Min	Max	Min	Max	
t <sub>off</sub>	turn-OFF time	$\overline{E1}$ to V <sub>os</sub> ; R <sub>L</sub> = 1 kΩ; see Fig. 14								
		V <sub>CC</sub> = 2.0 V; V <sub>EE</sub> = 0 V	-	69	250	-	315	-	375	ns
		V <sub>CC</sub> = 4.5 V; V <sub>EE</sub> = 0 V	-	25	50	-	63	-	75	ns
		V <sub>CC</sub> = 6.0 V; V <sub>EE</sub> = 0 V	-	20	43	-	54	-	64	ns
		V <sub>CC</sub> = 4.5 V; V <sub>EE</sub> = -4.5 V	-	20	40	-	50	-	60	ns
		$\overline{E2}$ to V <sub>os</sub> ; R <sub>L</sub> = 1 kΩ; see Fig. 14								
		V <sub>CC</sub> = 2.0 V; V <sub>EE</sub> = 0 V	-	72	250	-	315	-	375	ns
		V <sub>CC</sub> = 4.5 V; V <sub>EE</sub> = 0 V	-	26	50	-	63	-	75	ns
		V <sub>CC</sub> = 6.0 V; V <sub>EE</sub> = 0 V	-	21	43	-	54	-	64	ns
		V <sub>CC</sub> = 4.5 V; V <sub>EE</sub> = -4.5 V	-	19	40	-	50	-	60	ns
		$\overline{LE}$ to V <sub>os</sub> ; R <sub>L</sub> = 1 kΩ; see Fig. 14								
		V <sub>CC</sub> = 2.0 V; V <sub>EE</sub> = 0 V	-	83	275	-	345	-	415	ns
		V <sub>CC</sub> = 4.5 V; V <sub>EE</sub> = 0 V	-	30	55	-	69	-	83	ns
		V <sub>CC</sub> = 6.0 V; V <sub>EE</sub> = 0 V	-	24	47	-	59	-	71	ns
		V <sub>CC</sub> = 4.5 V; V <sub>EE</sub> = -4.5 V	-	26	45	-	56	-	68	ns
		t <sub>su</sub>	set-up time	Sn to $\overline{LE}$ ; R <sub>L</sub> = 1 kΩ; see Fig. 15						
V <sub>CC</sub> = 2.0 V; V <sub>EE</sub> = 0 V	60			17	-	-	75	-	90	ns
V <sub>CC</sub> = 4.5 V; V <sub>EE</sub> = 0 V	12			6	-	-	15	-	18	ns
V <sub>CC</sub> = 6.0 V; V <sub>EE</sub> = 0 V	10			5	-	-	13	-	15	ns
V <sub>CC</sub> = 4.5 V; V <sub>EE</sub> = -4.5 V	18			9	-	-	23	-	27	ns
t <sub>hold</sub>	hold time	Sn to $\overline{LE}$ ; R <sub>L</sub> = 1 kΩ; see Fig. 15								
		V <sub>CC</sub> = 2.0 V; V <sub>EE</sub> = 0 V	5	-8	-	-	5	-	5	ns
		V <sub>CC</sub> = 4.5 V; V <sub>EE</sub> = 0 V	5	-3	-	-	5	-	5	ns
		V <sub>CC</sub> = 6.0 V; V <sub>EE</sub> = 0 V	5	-2	-	-	5	-	5	ns
		V <sub>CC</sub> = 4.5 V; V <sub>EE</sub> = -4.5 V	5	-4	-	-	5	-	5	ns
t <sub>WH(min)</sub>	minimum pulse width HIGH	$\overline{LE}$ ; R <sub>L</sub> = 1 kΩ; see Fig. 15								
		V <sub>CC</sub> = 2.0 V; V <sub>EE</sub> = 0 V	100	11	-	-	125	-	150	ns
		V <sub>CC</sub> = 4.5 V; V <sub>EE</sub> = 0 V	20	1	-	-	25	-	30	ns
		V <sub>CC</sub> = 6.0 V; V <sub>EE</sub> = 0 V	17	3	-	-	21	-	26	ns
		V <sub>CC</sub> = 4.5 V; V <sub>EE</sub> = -4.5 V	25	7	-	-	31	-	38	ns
C <sub>pd</sub>	power dissipation capacitance	per switch; V <sub>I</sub> = GND to V <sub>CC</sub> [2]	-	25	-	-	-	-	-	pF
C <sub>sw</sub>	switch capacitance	maximum								
		independent (Yn)	-	5	-	-	-	-	-	pF
		common (Z)	-	25	-	-	-	-	-	pF

8-channel analog multiplexer/demultiplexer with latch

Symbol	Parameter	Conditions	25 °C			-40 °C to +85 °C		-40 °C to +125 °C		Unit
			Min	Typ	Max	Min	Max	Min	Max	
<b>74HCT4351</b>										
t <sub>pd</sub>	propagation delay	V <sub>is</sub> to V <sub>os</sub> ; R <sub>L</sub> = ∞ Ω; see <a href="#">Fig. 13</a> [1]								
		V <sub>CC</sub> = 4.5 V; V <sub>EE</sub> = 0 V	-	6	12	-	15	-	18	ns
		V <sub>CC</sub> = 4.5 V; V <sub>EE</sub> = -4.5 V	-	4	8	-	10	-	12	ns
t <sub>on</sub>	turn-ON time	E1 to V <sub>os</sub> ; R <sub>L</sub> = 1 kΩ; see <a href="#">Fig. 14</a>								
		V <sub>CC</sub> = 4.5 V; V <sub>EE</sub> = 0 V	-	40	75	-	94	-	113	ns
		V <sub>CC</sub> = 4.5 V; V <sub>EE</sub> = -4.5 V	-	31	60	-	75	-	90	ns
		E2 to V <sub>os</sub> ; R <sub>L</sub> = 1 kΩ; see <a href="#">Fig. 14</a>								
		V <sub>CC</sub> = 4.5 V; V <sub>EE</sub> = 0 V	-	35	70	-	88	-	105	ns
		V <sub>CC</sub> = 4.5 V; V <sub>EE</sub> = -4.5 V	-	26	50	-	63	-	75	ns
		LE to V <sub>os</sub> ; R <sub>L</sub> = 1 kΩ; see <a href="#">Fig. 14</a>								
		V <sub>CC</sub> = 4.5 V; V <sub>EE</sub> = 0 V	-	42	75	-	94	-	113	ns
		V <sub>CC</sub> = 4.5 V; V <sub>EE</sub> = -4.5 V	-	37	60	-	75	-	90	ns
		Sn to V <sub>os</sub> ; R <sub>L</sub> = 1 kΩ; see <a href="#">Fig. 14</a>								
		V <sub>CC</sub> = 4.5 V; V <sub>EE</sub> = 0 V	-	39	75	-	94	-	113	ns
		V <sub>CC</sub> = 4.5 V; V <sub>EE</sub> = -4.5 V	-	30	60	-	75	-	90	ns
t <sub>off</sub>	turn-OFF time	E1 to V <sub>os</sub> ; R <sub>L</sub> = 1 kΩ; see <a href="#">Fig. 14</a>								
		V <sub>CC</sub> = 4.5 V; V <sub>EE</sub> = 0 V	-	27	55	-	69	-	83	ns
		V <sub>CC</sub> = 4.5 V; V <sub>EE</sub> = -4.5 V	-	20	40	-	50	-	60	ns
		E2 to V <sub>os</sub> ; R <sub>L</sub> = 1 kΩ; see <a href="#">Fig. 14</a>								
		V <sub>CC</sub> = 4.5 V; V <sub>EE</sub> = 0 V	-	32	60	-	75	-	90	ns
		V <sub>CC</sub> = 4.5 V; V <sub>EE</sub> = -4.5 V	-	26	50	-	63	-	75	ns
		LE to V <sub>os</sub> ; R <sub>L</sub> = 1 kΩ; see <a href="#">Fig. 14</a>								
		V <sub>CC</sub> = 4.5 V; V <sub>EE</sub> = 0 V	-	33	60	-	75	-	90	ns
		V <sub>CC</sub> = 4.5 V; V <sub>EE</sub> = -4.5 V	-	30	55	-	69	-	83	ns
		Sn to V <sub>os</sub> ; R <sub>L</sub> = 1 kΩ; see <a href="#">Fig. 14</a>								
		V <sub>CC</sub> = 4.5 V; V <sub>EE</sub> = 0 V	-	33	65	-	81	-	98	ns
		V <sub>CC</sub> = 4.5 V; V <sub>EE</sub> = -4.5 V	-	29	55	-	69	-	83	ns
t <sub>su</sub>	set-up time	Sn to LE; R <sub>L</sub> = 1 kΩ; see <a href="#">Fig. 15</a>								
		V <sub>CC</sub> = 4.5 V; V <sub>EE</sub> = 0 V	12	6	-	-	15	-	18	ns
		V <sub>CC</sub> = 4.5 V; V <sub>EE</sub> = -4.5 V	14	7	-	-	18	-	21	ns
t <sub>hold</sub>	hold time	Sn to LE; R <sub>L</sub> = 1 kΩ; see <a href="#">Fig. 15</a>								
		V <sub>CC</sub> = 4.5 V; V <sub>EE</sub> = 0 V	5	-1	-	-	5	-	5	ns
		V <sub>CC</sub> = 4.5 V; V <sub>EE</sub> = -4.5 V	5	-2	-	-	5	-	5	ns
t <sub>WH(min)</sub>	minimum pulse width HIGH	LE; R <sub>L</sub> = 1 kΩ; see <a href="#">Fig. 15</a>								
		V <sub>CC</sub> = 4.5 V; V <sub>EE</sub> = 0 V	25	13	-	-	31	-	38	ns
		V <sub>CC</sub> = 4.5 V; V <sub>EE</sub> = -4.5 V	25	13	-	-	31	-	38	ns
C <sub>pd</sub>	power dissipation capacitance	per switch; V <sub>I</sub> = GND to V <sub>CC</sub> - 1.5 V [2]	-	25	-	-	-	-	-	pF

Symbol	Parameter	Conditions	25 °C			-40 °C to +85 °C		-40 °C to +125 °C		Unit
			Min	Typ	Max	Min	Max	Min	Max	
C <sub>sw</sub>	switch capacitance	maximum								
		independent (Yn)	-	5	-	-	-	-	-	pF
		common (Z)	-	25	-	-	-	-	-	pF

- [1] t<sub>pd</sub> is the same as t<sub>PHL</sub> and t<sub>PLH</sub>.
- [2] C<sub>PD</sub> is used to determine the dynamic power dissipation (P<sub>D</sub> in μW).  
 $P_D = C_{PD} \times V_{CC}^2 \times f_i \times N + \Sigma\{(C_L + C_{sw}) \times V_{CC}^2 \times f_o\}$  where:  
 f<sub>i</sub> = input frequency in MHz;  
 f<sub>o</sub> = output frequency in MHz;  
 N = number of inputs switching;  
 $\Sigma\{(C_L + C_{sw}) \times V_{CC}^2 \times f_o\}$  = sum of outputs;  
 C<sub>L</sub> = output load capacitance in pF;  
 C<sub>sw</sub> = switch capacitance in pF;  
 V<sub>CC</sub> = supply voltage in V.

### 11.1. Waveforms and test circuit

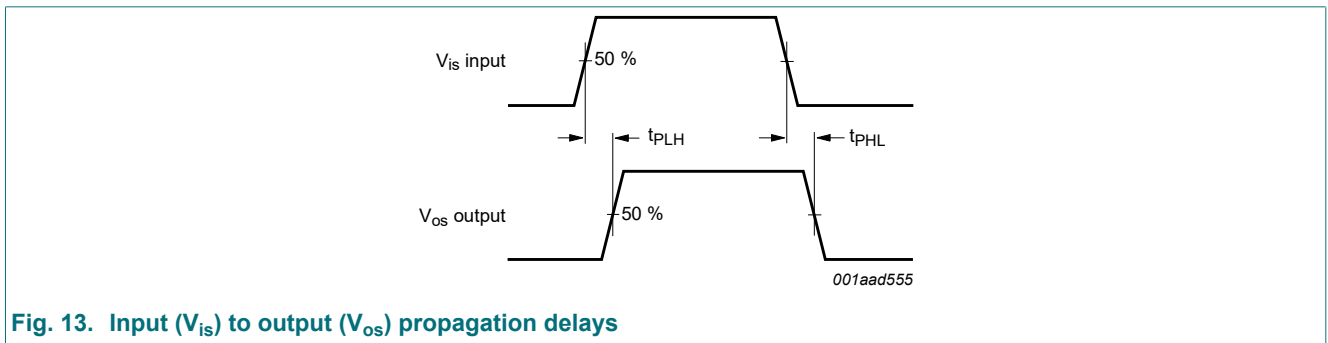
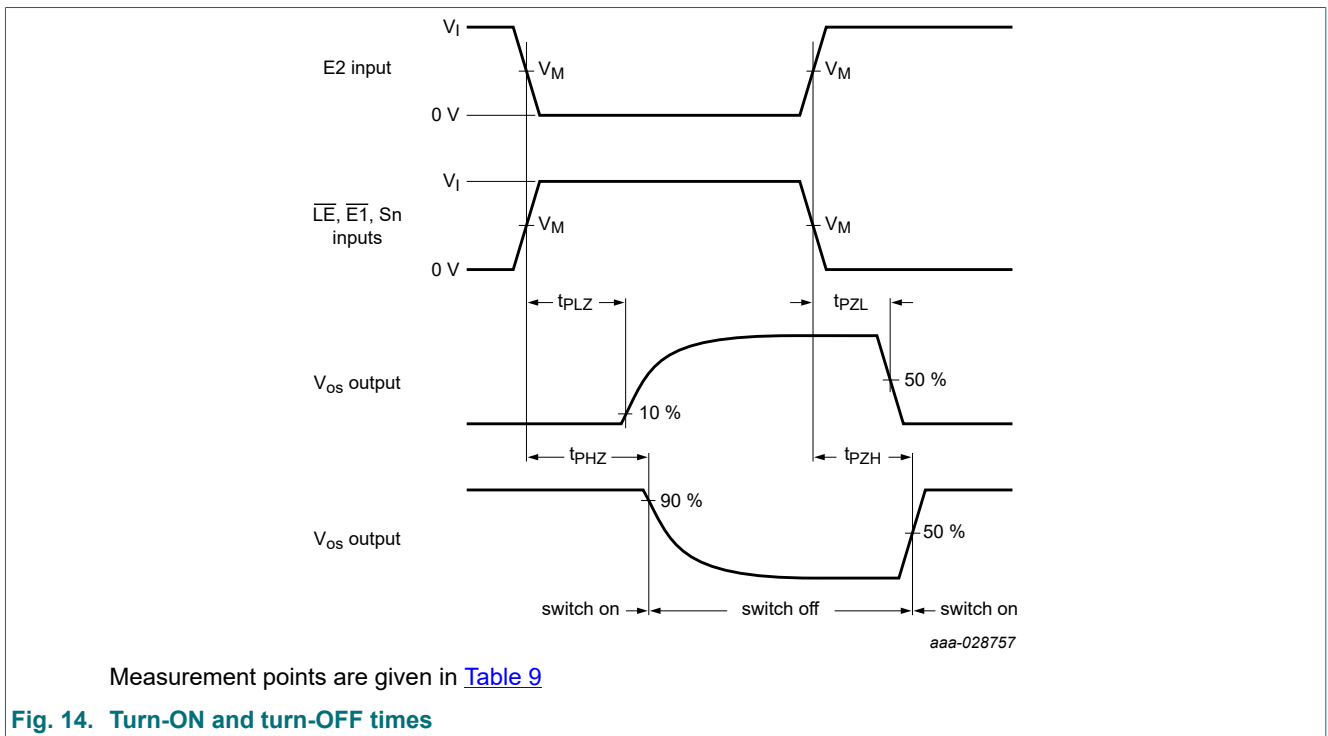
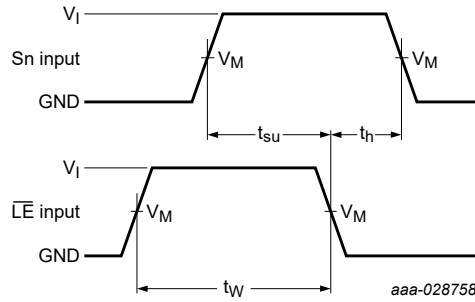


Fig. 13. Input (V<sub>is</sub>) to output (V<sub>os</sub>) propagation delays



Measurement points are given in [Table 9](#)

Fig. 14. Turn-ON and turn-OFF times

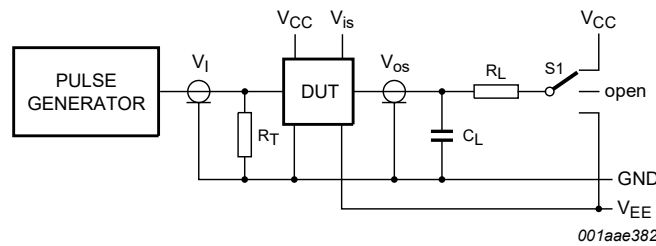
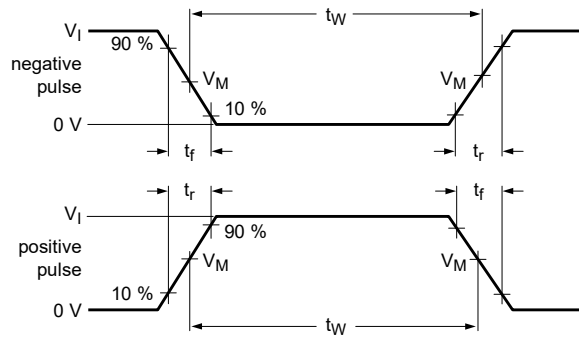


Measurement points are given in [Table 9](#)

**Fig. 15. Set-up and hold times from Sn inputs to LE input, and minimum pulse width of LE.**

**Table 9. Measurement points**

Type	Input		Output
	$V_I$	$V_M$	$V_M$
74HC4351	GND to $V_{CC}$	$0.5 \times V_{CC}$	$0.5 \times V_{CC}$
74HCT4351	GND to 3 V	1.3 V	1.3 V



Definitions for test circuit; see [Table 10](#):

$R_T$  = Termination resistance should be equal to the output impedance  $Z_o$  of the pulse generator.

$C_L$  = Load capacitance including jig and probe capacitance.

$R_L$  = Load resistance.

S1 = Test selection switch.

**Fig. 16. Test circuit for measuring switching times**

Table 10. Test data

Test	Input				Load		S1 position
	V <sub>I</sub>	V <sub>is</sub>	t <sub>r</sub> , t <sub>f</sub>		C <sub>L</sub>	R <sub>L</sub>	
			at f <sub>max</sub>	other [1]			
t <sub>PZH</sub> , t <sub>PHZ</sub>	[2]	V <sub>CC</sub>	< 2 ns	6 ns	50 pF	1 kΩ	V <sub>EE</sub>
t <sub>PZL</sub> , t <sub>PLZ</sub>	[2]	V <sub>EE</sub>	< 2 ns	6 ns	50 pF	1 kΩ	V <sub>CC</sub>
Other	[2]	pulse	< 2 ns	6 ns	50 pF	1 kΩ	open

[1] t<sub>r</sub> = t<sub>f</sub> = 6 ns; when measuring f<sub>max</sub>, there is no constraint to t<sub>r</sub> and t<sub>f</sub> with 50 % duty factor.

[2] V<sub>I</sub> values:

For 74HC4351: V<sub>I</sub> = V<sub>CC</sub>

For 74HCT4351: V<sub>I</sub> = 3 V

11.2. Additional dynamic characteristics

Table 11. Additional dynamic characteristics

Recommended conditions and typical values;  $GND = 0\text{ V}$ ;  $T_{amb} = 25\text{ }^\circ\text{C}$ ;  $C_L = 50\text{ pF}$  unless stated otherwise.

$V_{is}$  is the input voltage at pins  $Y_n$  or  $Z$ , whichever is assigned as an input.

$V_{os}$  is the output voltage at pins  $Y_n$  or  $Z$ , whichever is assigned as an output.

Symbol	Parameter	Conditions	Min	Typ	Max	Unit	
$d_{sin}$	sine-wave distortion	$f_i = 1\text{ kHz}$ ; $R_L = 10\text{ k}\Omega$ ; see Fig. 17					
		$V_{is} = 4.0\text{ V (p-p)}$ ; $V_{CC} = 2.25\text{ V}$ ; $V_{EE} = -2.25\text{ V}$	-	0.04	-	%	
		$V_{is} = 8.0\text{ V (p-p)}$ ; $V_{CC} = 4.5\text{ V}$ ; $V_{EE} = -4.5\text{ V}$	-	0.02	-	%	
		$f_i = 10\text{ kHz}$ ; $R_L = 10\text{ k}\Omega$ ; see Fig. 17					
		$V_{is} = 4.0\text{ V (p-p)}$ ; $V_{CC} = 2.25\text{ V}$ ; $V_{EE} = -2.25\text{ V}$	-	0.12	-	%	
		$V_{is} = 8.0\text{ V (p-p)}$ ; $V_{CC} = 4.5\text{ V}$ ; $V_{EE} = -4.5\text{ V}$	-	0.06	-	%	
$\alpha_{iso}$	isolation (OFF-state)	$R_L = 600\ \Omega$ ; $f_i = 1\text{ MHz}$ ; see Fig. 18					
		$V_{CC} = 2.25\text{ V}$ ; $V_{EE} = -2.25\text{ V}$	[1]	-	-50	-	dB
		$V_{CC} = 4.5\text{ V}$ ; $V_{EE} = -4.5\text{ V}$	[1]	-	-50	-	dB
$V_{ct}$	crosstalk voltage	between control and any switch (peak-to-peak value); $R_L = 600\ \Omega$ ; $f_i = 1\text{ MHz}$ ; $\overline{E1}$ , $E2$ or $Sn$ square wave between $V_{CC}$ and $GND$ ; $t_r = t_f = 6\text{ ns}$ ; see Fig. 19					
		$V_{CC} = 4.5\text{ V}$ ; $V_{EE} = 0\text{ V}$	-	120	-	mV	
		$V_{CC} = 4.5\text{ V}$ ; $V_{EE} = -4.5\text{ V}$	-	220	-	mV	
$f_{(-3dB)}$	-3 dB frequency response	$R_L = 50\ \Omega$ ; $C_L = 10\text{ pF}$ see Fig. 20					
		$V_{CC} = 2.25\text{ V}$ ; $V_{EE} = -2.25\text{ V}$	[2]	-	160	-	MHz
		$V_{CC} = 4.5\text{ V}$ ; $V_{EE} = -4.5\text{ V}$	[2]	-	170	-	MHz

- [1] Adjust input voltage  $V_{is}$  to 0 dBm level (0 dBm = 1 mW into 600  $\Omega$ ).
- [2] Adjust input voltage  $V_{is}$  to 0 dBm level at  $V_{os}$  for 1 MHz (0 dBm = 1 mW into 50  $\Omega$ ).

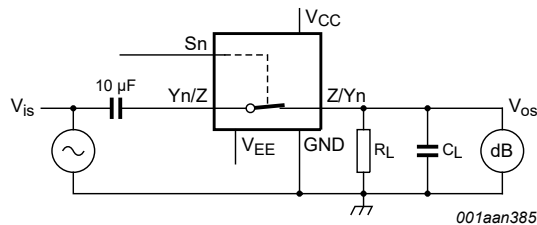
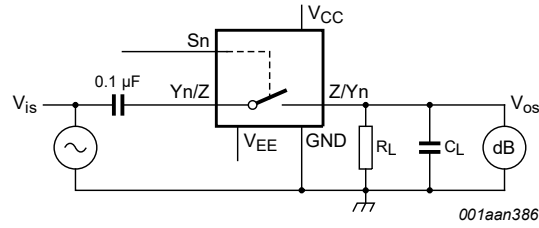
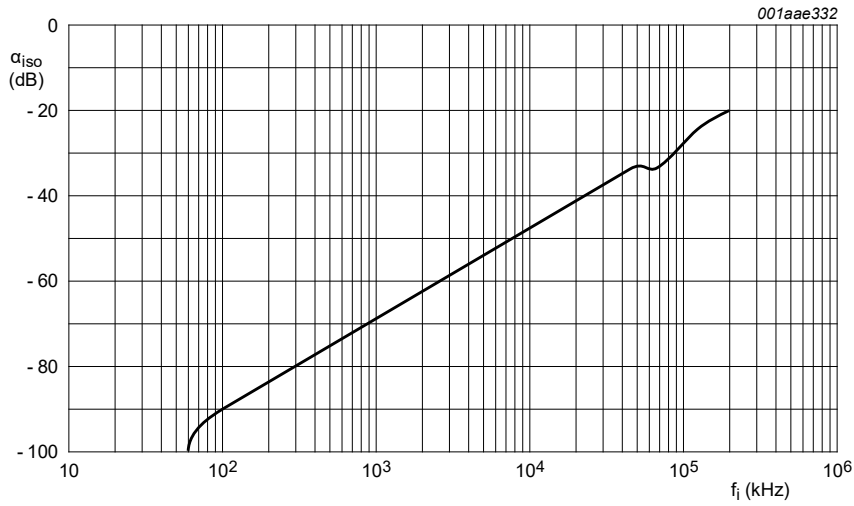


Fig. 17. Test circuit for measuring sine-wave distortion



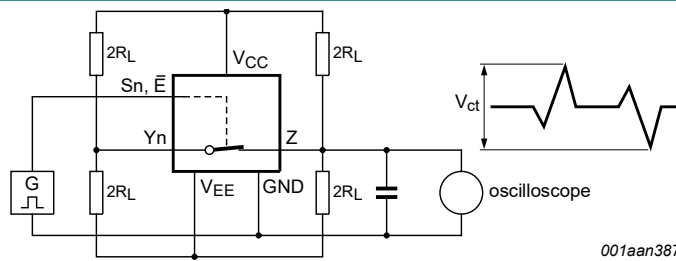
$V_{CC} = 4.5\text{ V}$ ;  $GND = 0\text{ V}$ ;  $V_{EE} = -4.5\text{ V}$ ;  $R_L = 600\ \Omega$ ;  $R_S = 1\text{ k}\Omega$

a. Test circuit



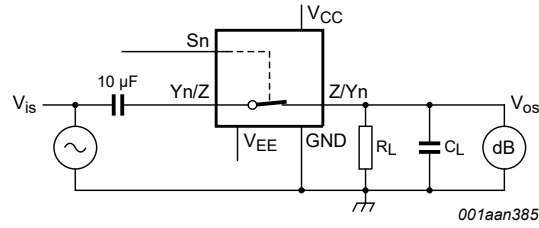
b. Isolation (OFF-state) as a function of frequency

**Fig. 18. Test circuit for measuring isolation (OFF-state)**



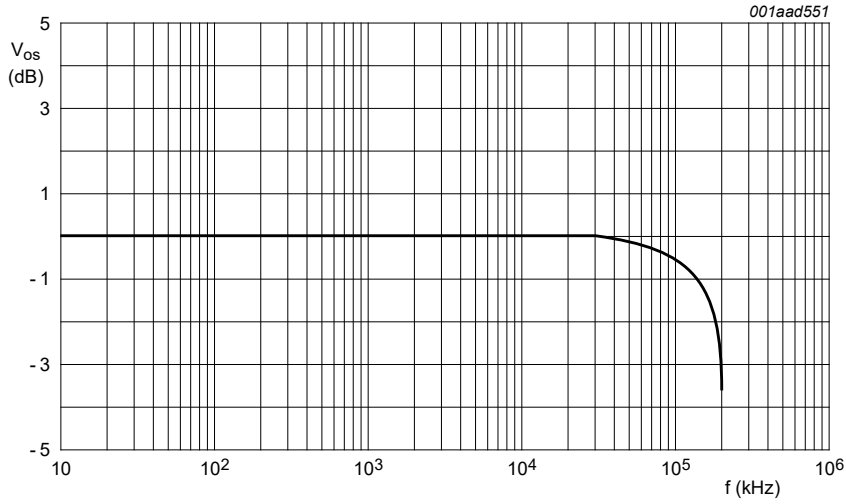
**Fig. 19. Test circuit for measuring crosstalk between control input and any switch**





$V_{CC} = 4.5 \text{ V}$ ;  $GND = 0 \text{ V}$ ;  $V_{EE} = -4.5 \text{ V}$ ;  $R_L = 50 \text{ }\Omega$ ;  $R_S = 1 \text{ k}\Omega$

a. Test circuit



b. Typical frequency response

**Fig. 20. Test circuit for frequency response**

12. Package outline

SO20: plastic small outline package; 20 leads; body width 7.5 mm

SOT163-1

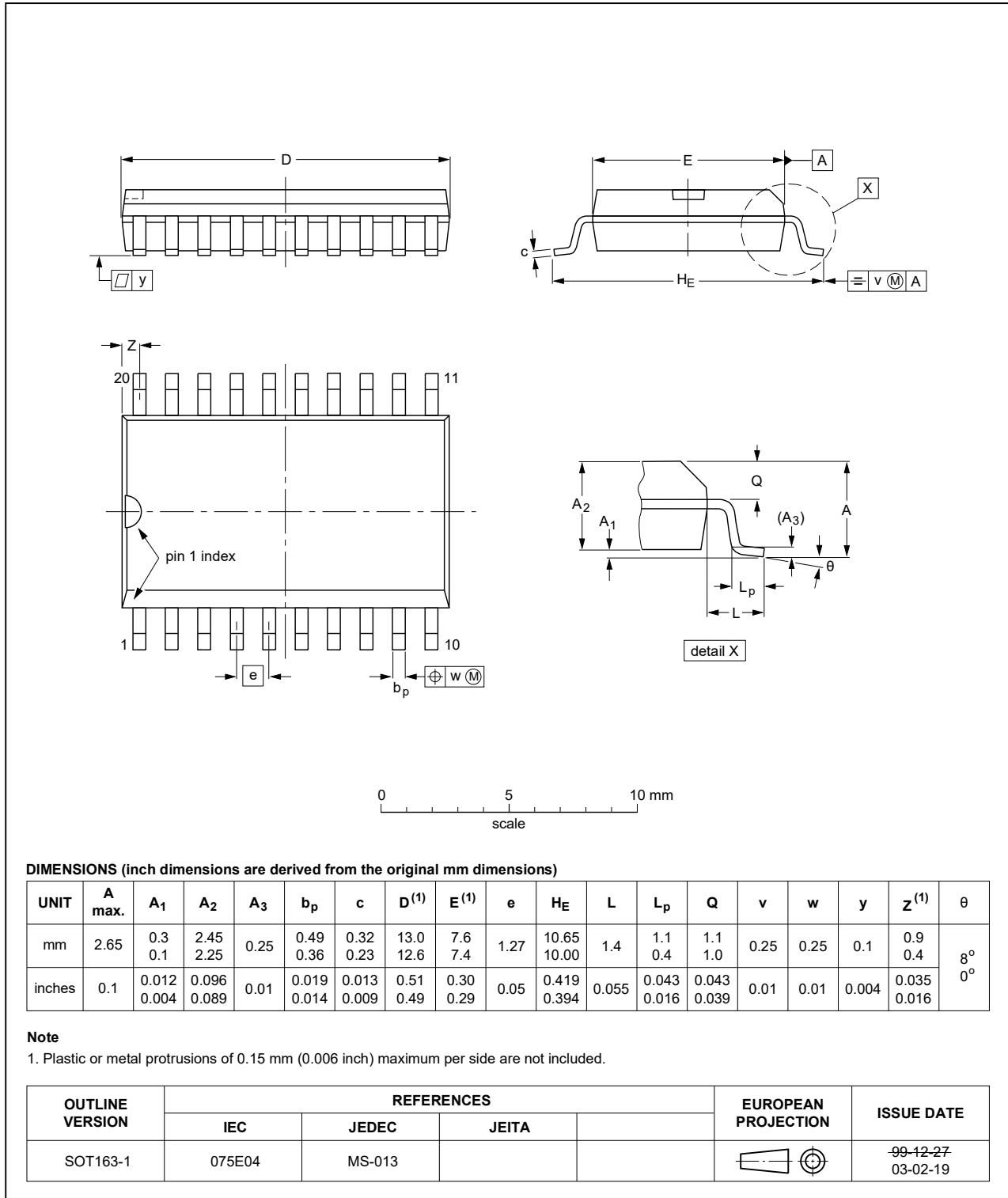


Fig. 21. Package outline SOT163-1 (SO20)

SSOP20: plastic shrink small outline package; 20 leads; body width 5.3 mm

SOT339-1

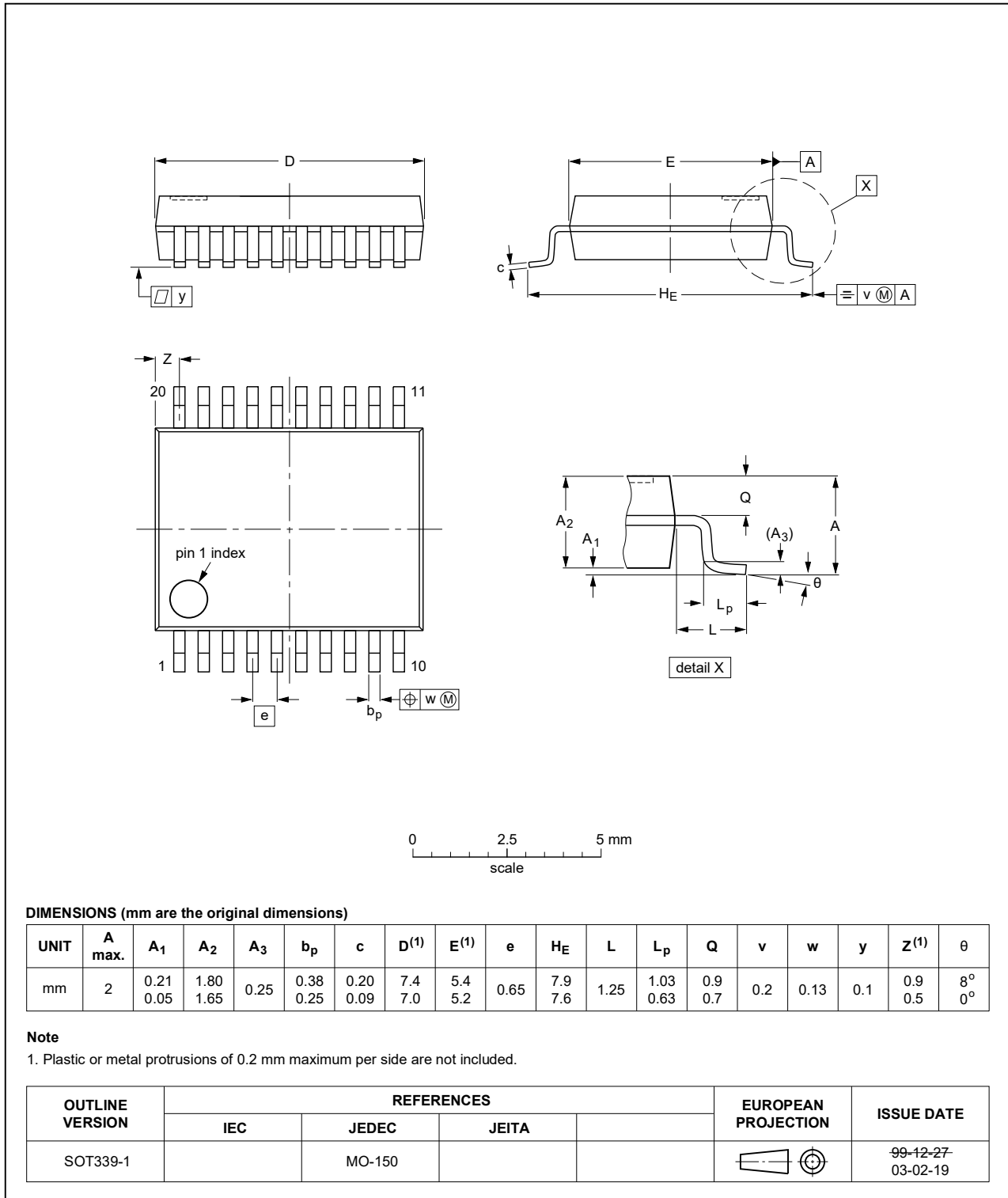


Fig. 22. Package outline SOT339-1 (SSOP20)

TSSOP20: plastic thin shrink small outline package; 20 leads; body width 4.4 mm

SOT360-1

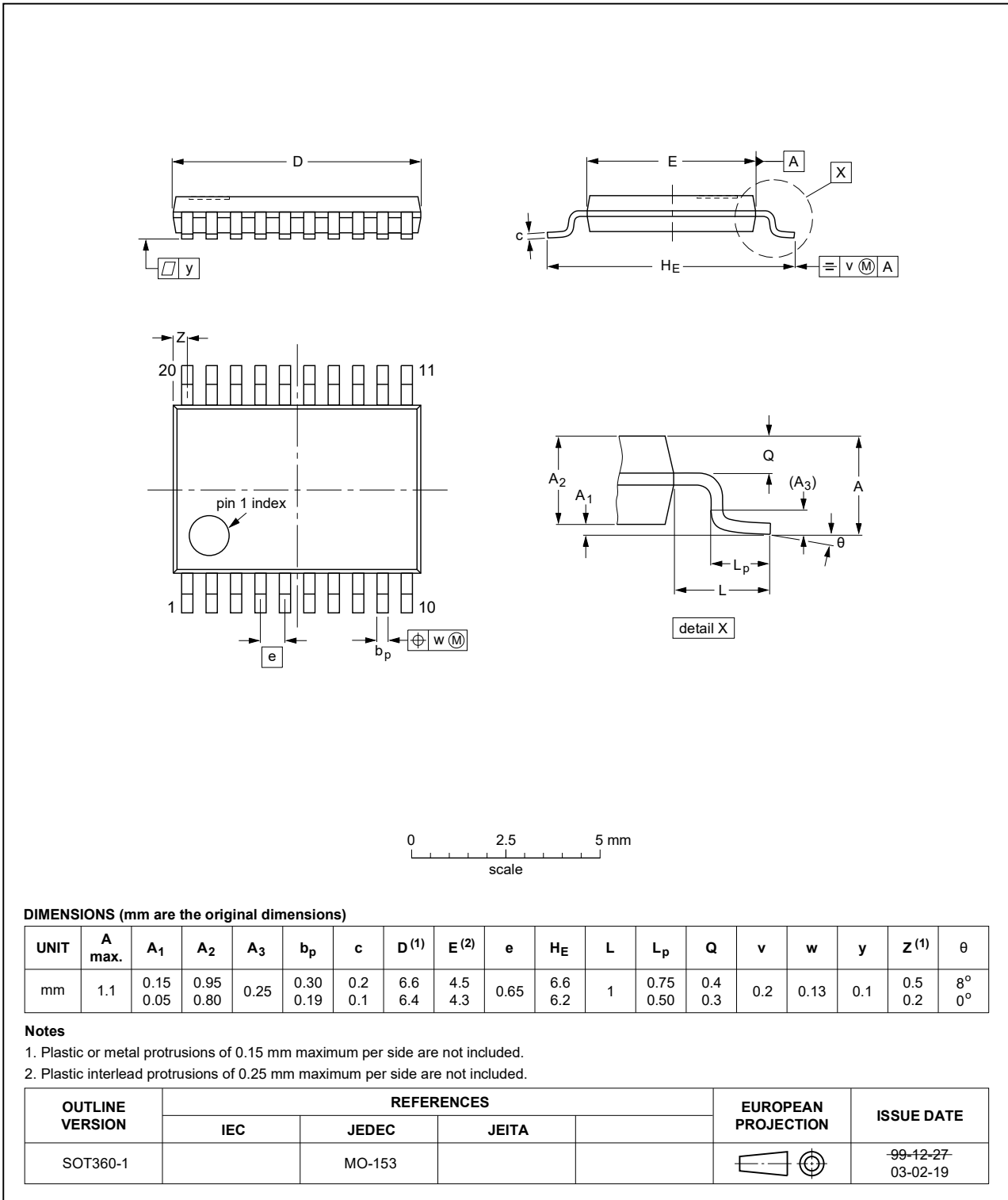


Fig. 23. Package outline SOT360-1 (TSSOP20)

## 13. Abbreviations

Table 12. Abbreviations

Acronym	Description
CDM	Charged Device Model
DUT	Device Under Test
ESD	ElectroStatic Discharge
HBM	Human Body Model
MM	Machine Model

## 14. Revision history

Table 13. Revision history

Document ID	Release date	Data sheet status	Change notice	Supersedes
74HC_HCT4351 v.4	20210804	Product data sheet	-	74HC_HCT4351 v.3
Modifications:	<ul style="list-style-type: none"> <li>Type number 74HC4351PW (SOT360-1/TSSOP20) added.</li> <li>Type number 74HCT4351DB (SOT339-1/SSOP20) removed.</li> <li><a href="#">Section 8</a>: Derating values for <math>P_{tot}</math> total power dissipation updated.</li> </ul>			
74HC_HCT4351 v.3	20180709	Product data sheet	-	74HC_HCT4351 v.2
Modifications:	<ul style="list-style-type: none"> <li>The format of this data sheet has been redesigned to comply with the identity guidelines of Nexperia.</li> <li>Legal texts have been adapted to the new company name where appropriate.</li> <li>Type numbers 74HC4351N (SOT146-1) and 74HCT4351N (SOT146-1) removed.</li> </ul>			
74HC_HCT4351 v.2	19901201	Product specification	-	74HC_HCT4351 v.1

## 15. Legal information

### Data sheet status

Document status [1][2]	Product status [3]	Definition
Objective [short] data sheet	Development	This document contains data from the objective specification for product development.
Preliminary [short] data sheet	Qualification	This document contains data from the preliminary specification.
Product [short] data sheet	Production	This document contains the product specification.

- [1] Please consult the most recently issued document before initiating or completing a design.
- [2] The term 'short data sheet' is explained in section "Definitions".
- [3] The product status of device(s) described in this document may have changed since this document was published and may differ in case of multiple devices. The latest product status information is available on the internet at <https://www.nexperia.com>.

### Definitions

**Draft** — The document is a draft version only. The content is still under internal review and subject to formal approval, which may result in modifications or additions. Nexperia does not give any representations or warranties as to the accuracy or completeness of information included herein and shall have no liability for the consequences of use of such information.

**Short data sheet** — A short data sheet is an extract from a full data sheet with the same product type number(s) and title. A short data sheet is intended for quick reference only and should not be relied upon to contain detailed and full information. For detailed and full information see the relevant full data sheet, which is available on request via the local Nexperia sales office. In case of any inconsistency or conflict with the short data sheet, the full data sheet shall prevail.

**Product specification** — The information and data provided in a Product data sheet shall define the specification of the product as agreed between Nexperia and its customer, unless Nexperia and customer have explicitly agreed otherwise in writing. In no event however, shall an agreement be valid in which the Nexperia product is deemed to offer functions and qualities beyond those described in the Product data sheet.

### Disclaimers

**Limited warranty and liability** — Information in this document is believed to be accurate and reliable. However, Nexperia does not give any representations or warranties, expressed or implied, as to the accuracy or completeness of such information and shall have no liability for the consequences of use of such information. Nexperia takes no responsibility for the content in this document if provided by an information source outside of Nexperia.

In no event shall Nexperia be liable for any indirect, incidental, punitive, special or consequential damages (including - without limitation - lost profits, lost savings, business interruption, costs related to the removal or replacement of any products or rework charges) whether or not such damages are based on tort (including negligence), warranty, breach of contract or any other legal theory.

Notwithstanding any damages that customer might incur for any reason whatsoever, Nexperia's aggregate and cumulative liability towards customer for the products described herein shall be limited in accordance with the Terms and conditions of commercial sale of Nexperia.

**Right to make changes** — Nexperia reserves the right to make changes to information published in this document, including without limitation specifications and product descriptions, at any time and without notice. This document supersedes and replaces all information supplied prior to the publication hereof.

**Suitability for use** — Nexperia products are not designed, authorized or warranted to be suitable for use in life support, life-critical or safety-critical systems or equipment, nor in applications where failure or malfunction of an Nexperia product can reasonably be expected to result in personal

injury, death or severe property or environmental damage. Nexperia and its suppliers accept no liability for inclusion and/or use of Nexperia products in such equipment or applications and therefore such inclusion and/or use is at the customer's own risk.

**Quick reference data** — The Quick reference data is an extract of the product data given in the Limiting values and Characteristics sections of this document, and as such is not complete, exhaustive or legally binding.

**Applications** — Applications that are described herein for any of these products are for illustrative purposes only. Nexperia makes no representation or warranty that such applications will be suitable for the specified use without further testing or modification.

Customers are responsible for the design and operation of their applications and products using Nexperia products, and Nexperia accepts no liability for any assistance with applications or customer product design. It is customer's sole responsibility to determine whether the Nexperia product is suitable and fit for the customer's applications and products planned, as well as for the planned application and use of customer's third party customer(s). Customers should provide appropriate design and operating safeguards to minimize the risks associated with their applications and products.

Nexperia does not accept any liability related to any default, damage, costs or problem which is based on any weakness or default in the customer's applications or products, or the application or use by customer's third party customer(s). Customer is responsible for doing all necessary testing for the customer's applications and products using Nexperia products in order to avoid a default of the applications and the products or of the application or use by customer's third party customer(s). Nexperia does not accept any liability in this respect.

**Limiting values** — Stress above one or more limiting values (as defined in the Absolute Maximum Ratings System of IEC 60134) will cause permanent damage to the device. Limiting values are stress ratings only and (proper) operation of the device at these or any other conditions above those given in the Recommended operating conditions section (if present) or the Characteristics sections of this document is not warranted. Constant or repeated exposure to limiting values will permanently and irreversibly affect the quality and reliability of the device.

**Terms and conditions of commercial sale** — Nexperia products are sold subject to the general terms and conditions of commercial sale, as published at <http://www.nexperia.com/profile/terms>, unless otherwise agreed in a valid written individual agreement. In case an individual agreement is concluded only the terms and conditions of the respective agreement shall apply. Nexperia hereby expressly objects to applying the customer's general terms and conditions with regard to the purchase of Nexperia products by customer.

**No offer to sell or license** — Nothing in this document may be interpreted or construed as an offer to sell products that is open for acceptance or the grant, conveyance or implication of any license under any copyrights, patents or other industrial or intellectual property rights.

**Export control** — This document as well as the item(s) described herein may be subject to export control regulations. Export might require a prior authorization from competent authorities.

**Non-automotive qualified products** — Unless this data sheet expressly states that this specific Nexperia product is automotive qualified, the product is not suitable for automotive use. It is neither qualified nor tested in accordance with automotive testing or application requirements. Nexperia accepts no liability for inclusion and/or use of non-automotive qualified products in automotive equipment or applications.

In the event that customer uses the product for design-in and use in automotive applications to automotive specifications and standards, customer (a) shall use the product without Nexperia's warranty of the product for such automotive applications, use and specifications, and (b) whenever customer uses the product for automotive applications beyond Nexperia's specifications such use shall be solely at customer's own risk, and (c) customer fully indemnifies Nexperia for any liability, damages or failed product claims resulting from customer design and use of the product for automotive applications beyond Nexperia's standard warranty and Nexperia's product specifications.

**Translations** — A non-English (translated) version of a document is for reference only. The English version shall prevail in case of any discrepancy between the translated and English versions.

### Trademarks

Notice: All referenced brands, product names, service names and trademarks are the property of their respective owners.

## Contents

<b>1. General description</b> .....	<b>1</b>
<b>2. Features and benefits</b> .....	<b>1</b>
<b>3. Applications</b> .....	<b>1</b>
<b>4. Ordering information</b> .....	<b>1</b>
<b>5. Functional diagram</b> .....	<b>2</b>
<b>6. Pinning information</b> .....	<b>3</b>
6.1. Pinning.....	3
6.2. Pin description.....	3
<b>7. Functional description</b> .....	<b>4</b>
<b>8. Limiting values</b> .....	<b>4</b>
<b>9. Recommended operating conditions</b> .....	<b>5</b>
<b>10. Static characteristics</b> .....	<b>6</b>
<b>11. Dynamic characteristics</b> .....	<b>9</b>
11.1. Waveforms and test circuit.....	12
11.2. Additional dynamic characteristics.....	15
<b>12. Package outline</b> .....	<b>18</b>
<b>13. Abbreviations</b> .....	<b>21</b>
<b>14. Revision history</b> .....	<b>21</b>
<b>15. Legal information</b> .....	<b>22</b>

© Nexperia B.V. 2021. All rights reserved

For more information, please visit: <http://www.nexperia.com>  
For sales office addresses, please send an email to: [salesaddresses@nexperia.com](mailto:salesaddresses@nexperia.com)  
Date of release: 4 August 2021