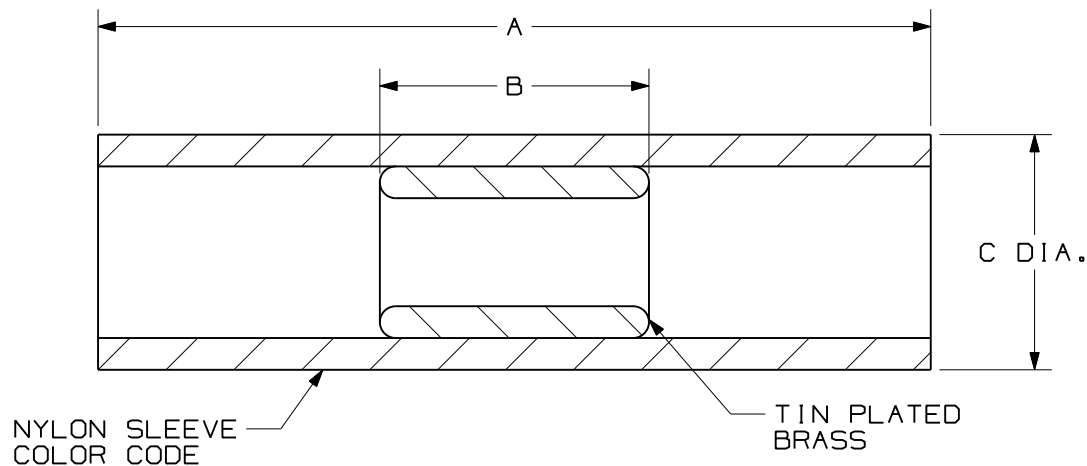



PANDUIT PART NO.	PK	WIRE COMBINATION (COMB. OF ANY TWO)	COLOR CODE	A ±.03	B ±.02	C ±.02	WIRE STRIP LENGTH +1/32/-0
PSN 18	-C/-D	AWG #22 TO #18	RED	.75 (19.05)	.28 (7.11)	.18 (4.57)	5/16 (7.9)
PSN 16	-C/-D	AWG #20 TO #16	BLUE	.75 (19.05)	.28 (7.11)	.21 (5.33)	5/16 (7.9)
PSN 12	-L/-D	AWG #14 TO #12	YELLOW	.83 (21.08)	.36 (9.14)	.28 (7.11)	7/16 (11.1)

NOTES:

1. COPPER WIRE ONLY.
2. VOLTAGE RATING: 300V MAX.
3. TEMPERATURE RATING: 105°C (221°F)  
 PACKAGE QTY: -L=50  
                   -C=100  
                   -D=500
4. RECOMMENDED TOOLING:  
 PSN 18 - CT-100 & CT-520 (BLUE PKT ONLY)  
 PSN 16 - CT-100 & CT-520  
 PSN 12 - CT-100
5. DIMENSIONS IN BRACKETS ARE IN MILLIMETERS.



A41340\_03

03	1/01	RM		FILESPEC WAS N41340AA_PCD_02				 TINLEY PARK, ILLINOIS  NYLON INSULATED PARALLEL SPLICES
02	8/96	JB		WIRE COMBO ON PART# PSN 12 WAS AWG #18 TO #12	04989			
01	1/95	MS	RLS	UPDATED NOTES AND DIMENSIONS	02824	LA	TFKE	
00	1/91	RH		DWG. RELEASED	00279	LA	KS	
REV	DATE	BY	CHK	DESCRIPTION	ECN #	CUST	PM	DRAWN BY RPH CHK'D 1/22/91 SCALE N/A DRAWING NO. A41340