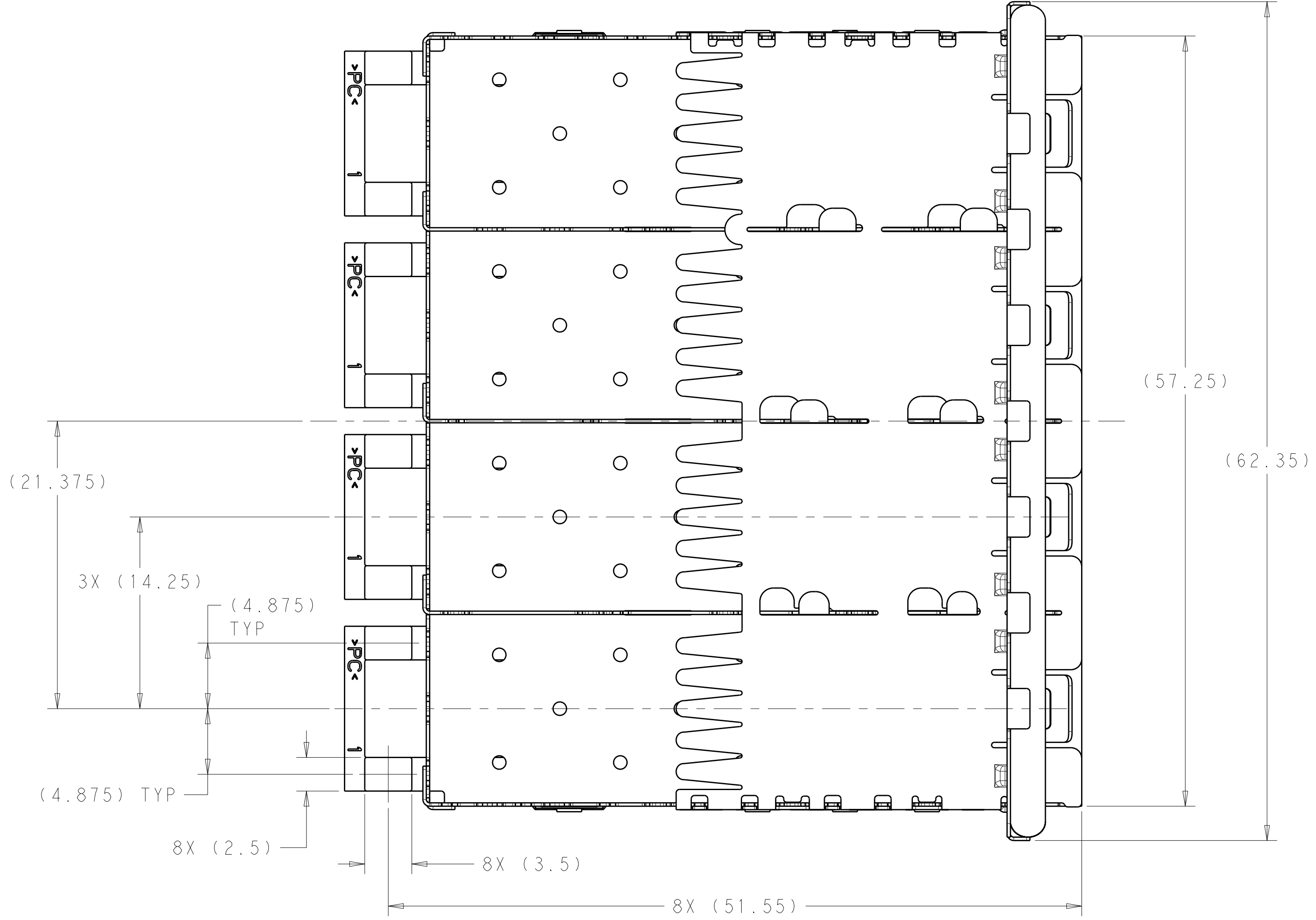
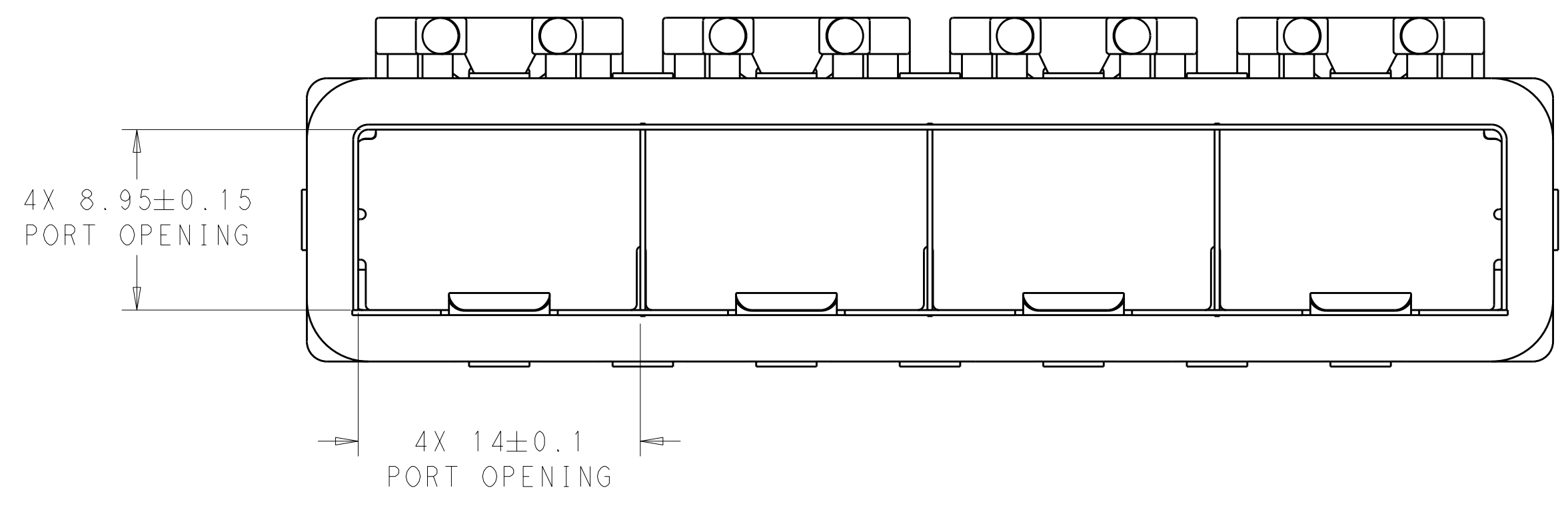
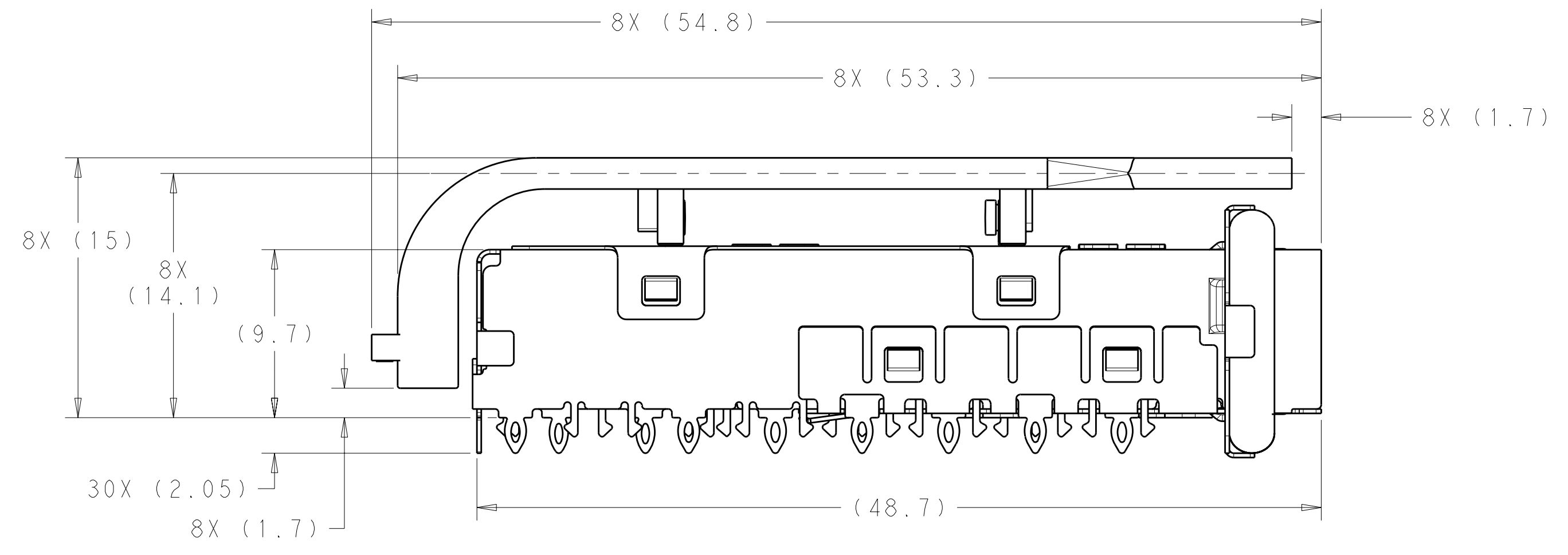
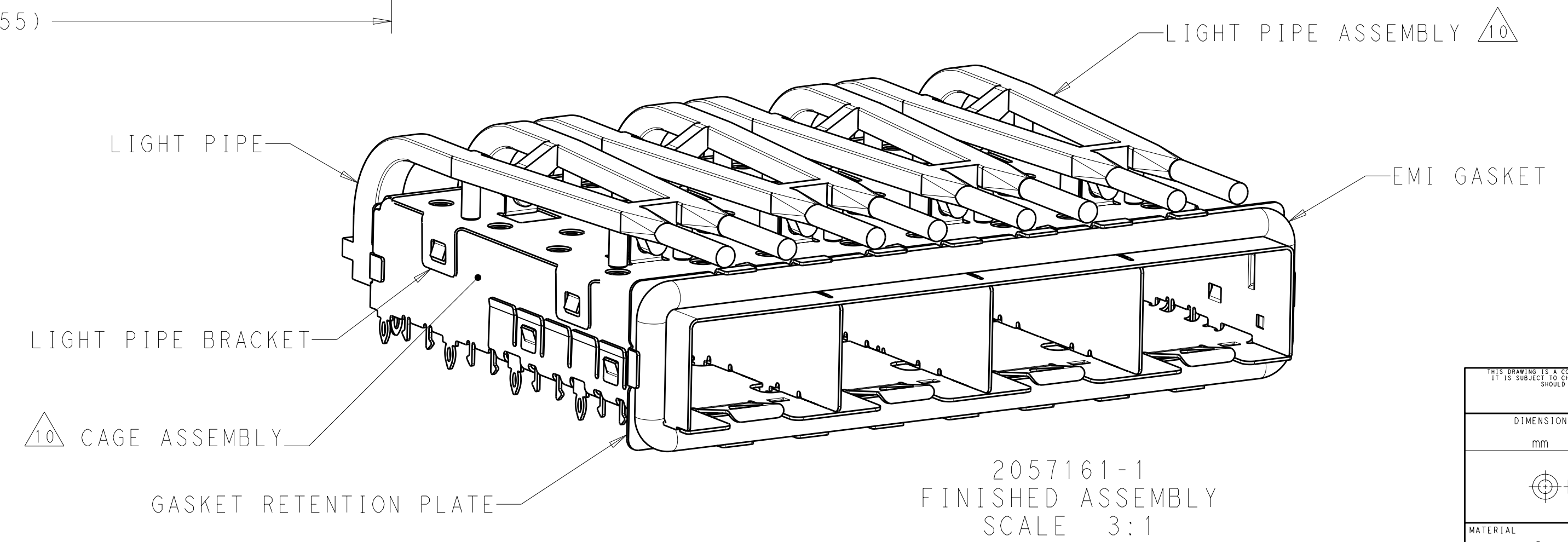


LOC		DIST		REVISIONS			
GP	00	P	LTR	DESCRIPTION	DATE	DWN	APVD
		A		RELEASED PER ECO-10-025263	22FEB2011	CJV	JTL



- △ MATERIAL:
 CAGE ASSEMBLY: NICKEL SILVER ALLOY
 GASKET RETENTION PLATE: STAINLESS STEEL
 EMI GASKET: PLATED FILLED SILICONE
 LIGHT PIPE BRACKET: STAINLESS STEEL
 LIGHT PIPE: POLYCARBONATE, CLEAR
- △ DATUM AND BASIC DIMENSION ESTABLISHED BY CUSTOMER.
- 3. MATES WITH SFP MSA COMPLIANT TRANSCEIVERS.
- △ PADS AND VIAS CHASSIS GROUND.
- 5. INTERPRETATION OF DATUM REFERENCE FRAME IN ACCORDANCE WITH SECT 4.4.1.1 OF ASME Y14.5M-1994.
- △ MINIMUM PC BOARD THICKNESS: SINGLE SIDED = 1.45
- △ HOLE PATTERN REPEATS FOR EACH PORT. SPACING BETWEEN PORTS IS 14.25mm.
- △ REFERENCE APPLICATION SPEC. 114-13120, HOLE A, FOR RECOMMENDED DRILL HOLE DIAMETER AND PLATING THICKNESS.
- △ REFERENCE APPLICATION SPEC. 114-13120, HOLE B, FOR RECOMMENDED DRILL HOLE DIAMETER AND PLATING THICKNESS.
- △ LIGHT PIPE ASSEMBLY SHIPPED UNASSEMBLED TO CAGE ASSEMBLY. CAGE ASSEMBLY TO BE PRESSED INTO THE PCB PRIOR TO ATTACHING THE LIGHT PIPE ASSEMBLY TO THE CAGE.

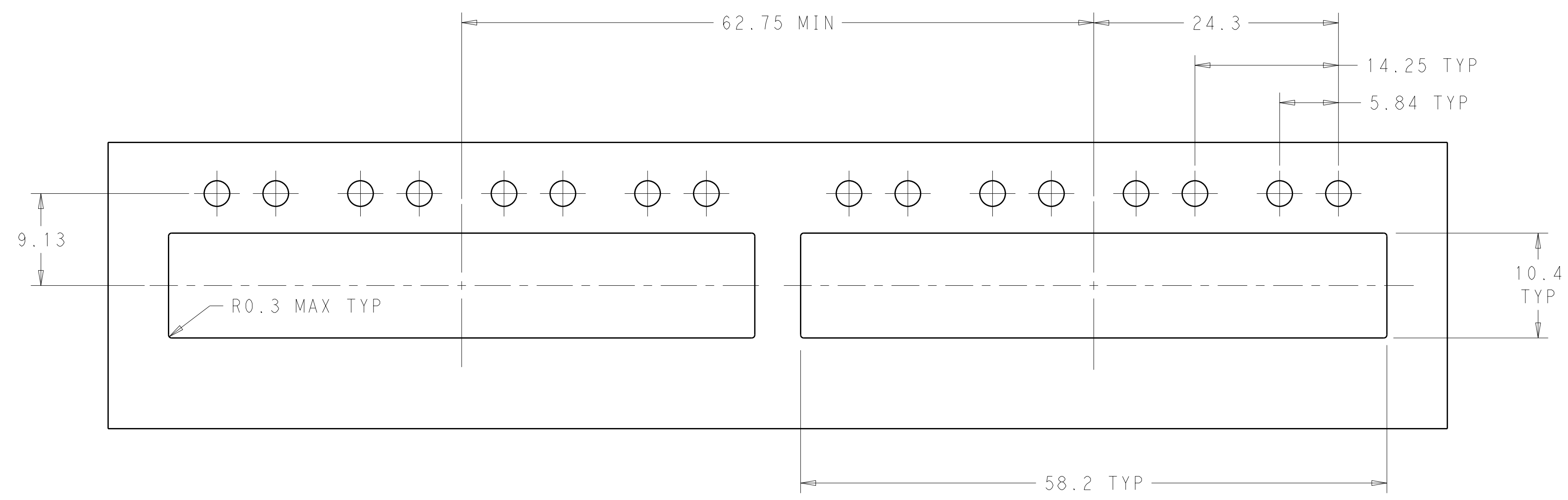


2057161-1
 FINISHED ASSEMBLY
 SCALE 3:1

2057161-1
 PART
 NUMBER

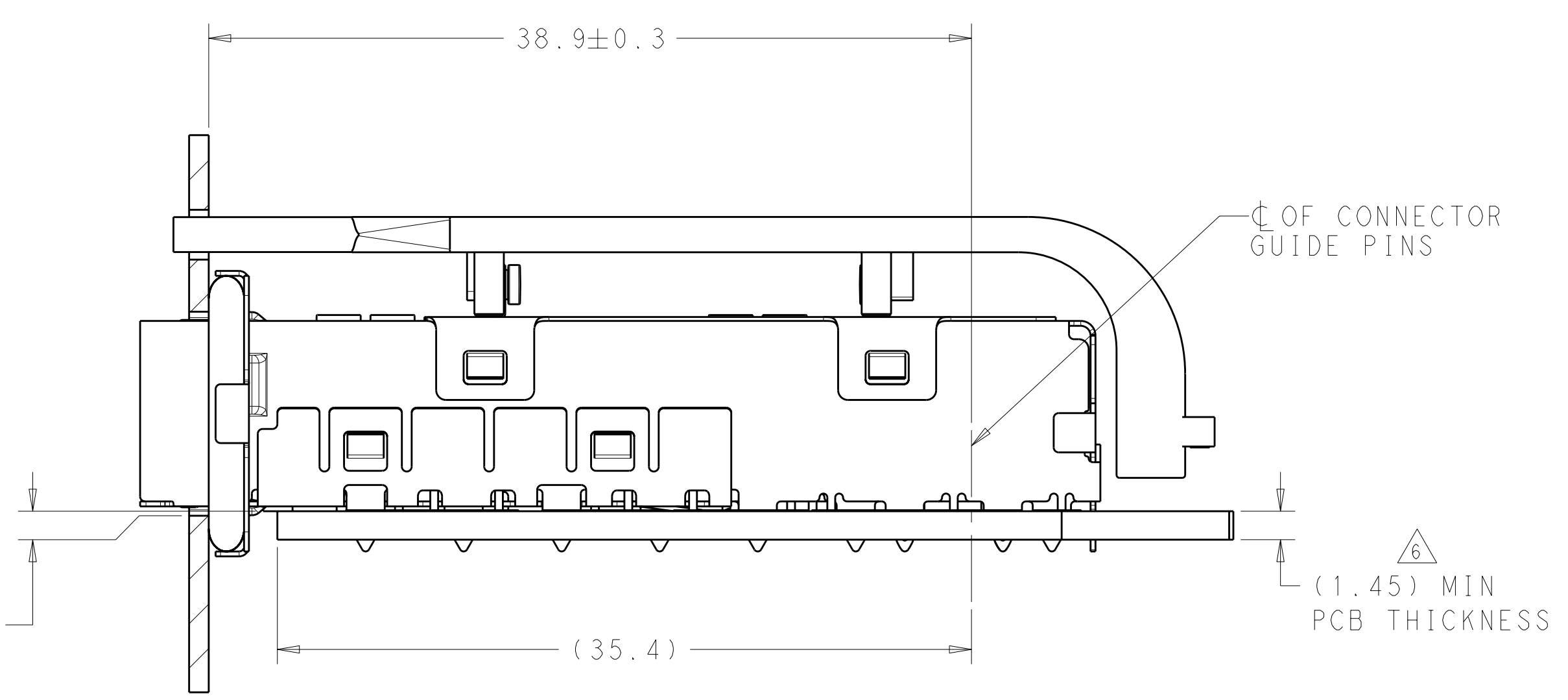
<small>THIS DRAWING IS UNPUBLISHED. RELEASED FOR PUBLICATION BY TYCO ELECTRONICS CORPORATION. ALL RIGHTS RESERVED.</small>		DWN: J. LIPPERT 15OCT2010 CHK: M. SCHMITT 15OCT2010 APVD: M. SCHMITT 15OCT2010	Tyco Electronics Harrisburg, PA 17105-3608
DIMENSIONS: mm	TOLERANCES UNLESS OTHERWISE SPECIFIED: 9 PLC ±0.1 1 PLC ±0.1 3 PLC ±0.1 4 PLC ±0.1 ANGLES ±0.1	PRODUCT SPEC: APPLICATION SPEC: 114-13120	NAME: SFP+ 1X4 ENHANCED CAGE ASSEMBLY, PRESS FIT, EMI GASKET WITH LIGHT PIPE SIZE: CAGE CODE DRAWING NO: A100779 ©=2057161 RESTRICTED TO:
MATERIAL:	FINISH:	WEIGHT:	CUSTOMER DRAWING
		SCALE: 4:1	SHEET 1 OF 4 REV A

LOC	DIST	REV	DATE	BY	APPD	
GP	00					
REVISIONS			DESCRIPTION	DATE	DWN	APPD
			SEE SHEET 1			

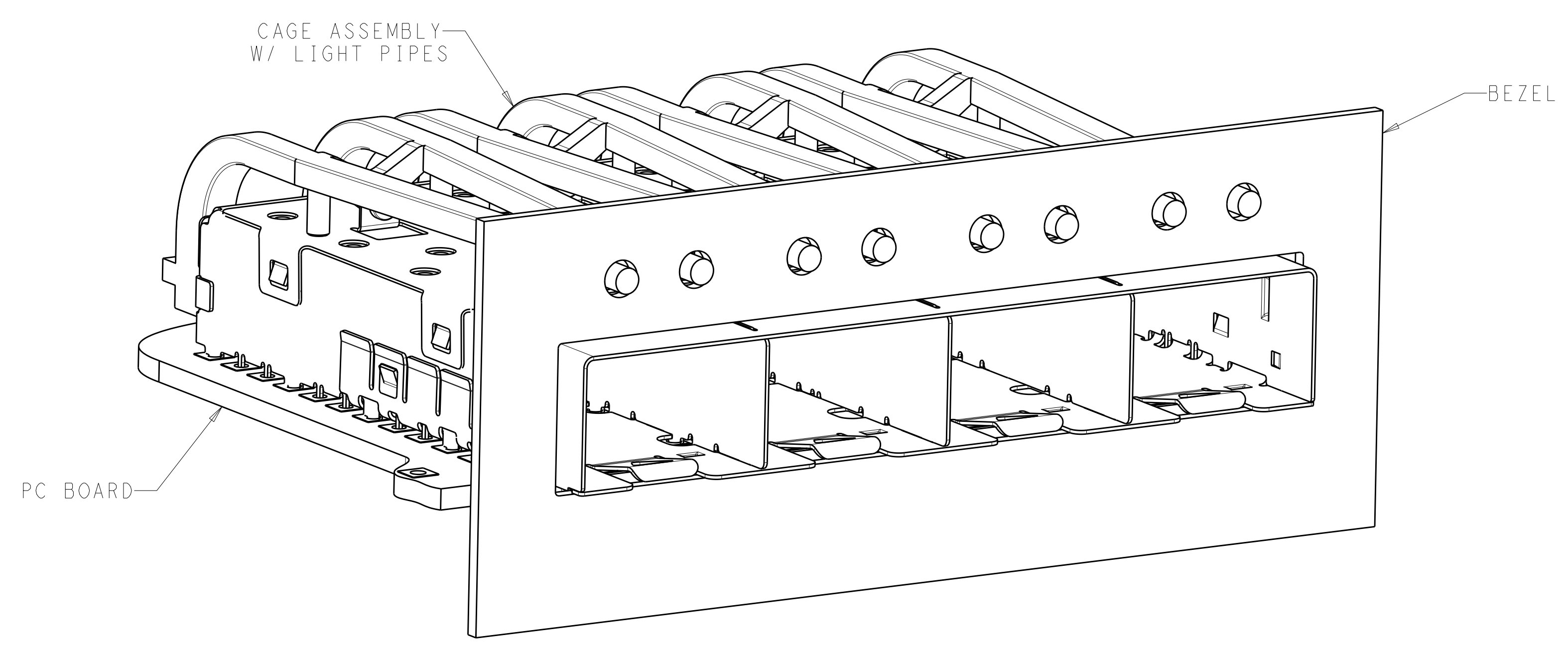


RECOMMENDED BEZEL CUT-OUT
 SINGLE SIDED APPLICATIONS
 SCALE 3:1

0.23^{+0.10}_{-0.14}
 TOP OF PCB
 TO INSIDE OF
 BEZEL CUT-OUT



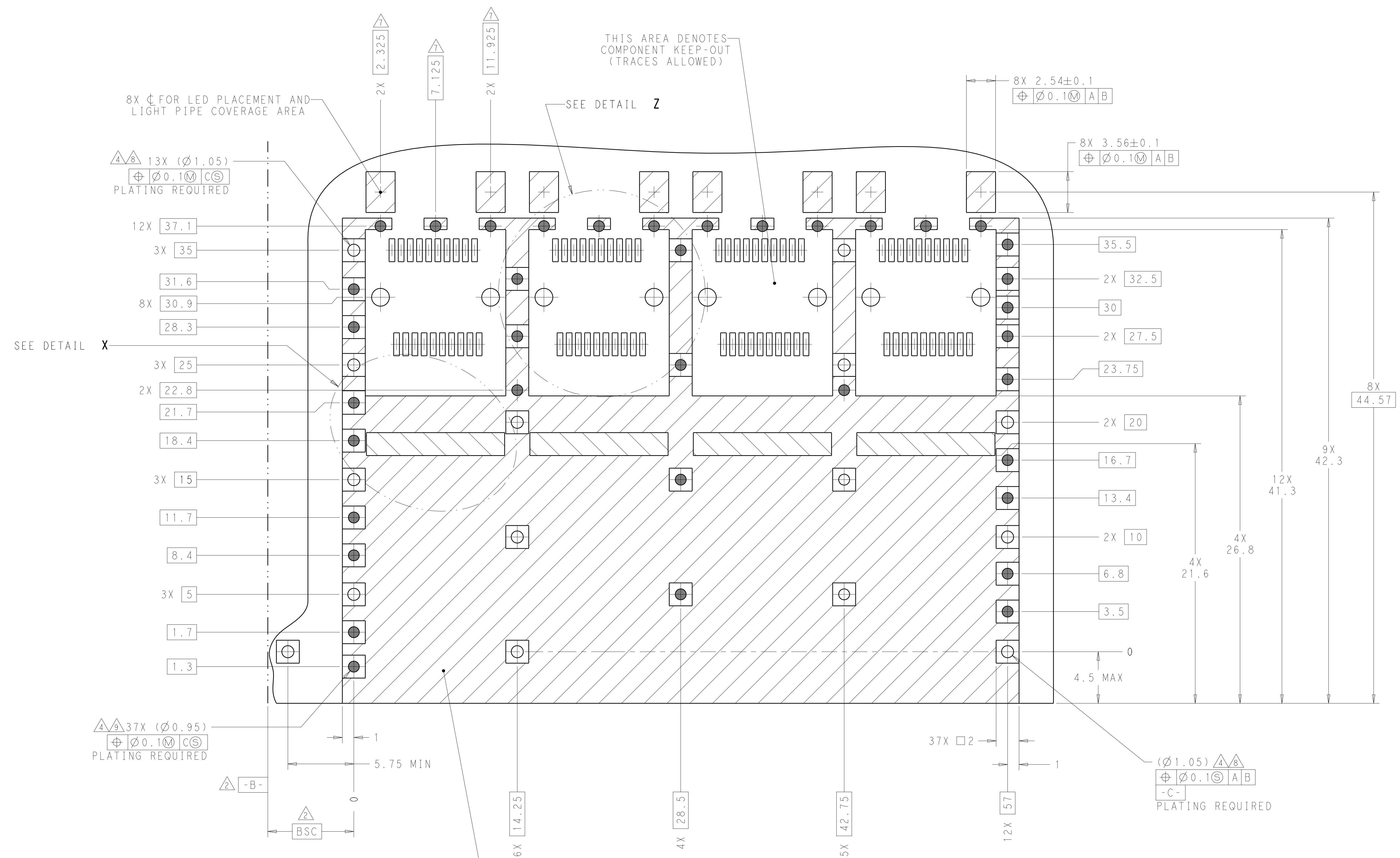
2057161-1
 MOUNTED ON PCB
 SHOWN THRU RECOMMENDED BEZEL



2057161-1
 MOUNTED ON PCB
 SHOWN THRU RECOMMENDED BEZEL

<small>THIS DRAWING IS UNPUBLISHED. RELEASED FOR PUBLICATION 20 BY TYCO ELECTRONICS CORPORATION, ALL INTERNATIONAL RIGHTS RESERVED.</small>		DWN: J. LIPPERT 15OCT2010 CHK: M. SCHMITT 15OCT2010 APPD: M. SCHMITT 15OCT2010	Tyco Electronics Harrisburg, PA 17105-3608
DIMENSIONS: mm 	TOLERANCES UNLESS OTHERWISE SPECIFIED: 9 PLC ±0.1 1 PLC ±0.1 2 PLC ±0.1 3 PLC ±0.1 4 PLC ±0.1 ANGLES ±0.1 FINISH	NAME: SFP+ 1X4 ENHANCED CAGE ASSEMBLY, PRESS FIT, EMI GASKET WITH LIGHT PIPE PRODUCT SPEC APPLICATION SPEC 114-13120 WEIGHT CUSTOMER DRAWING	SIZE: A100779 CAGE CODE: C=2057161 SCALE: 4:1 SHEET: 2 OF 4 REV: A

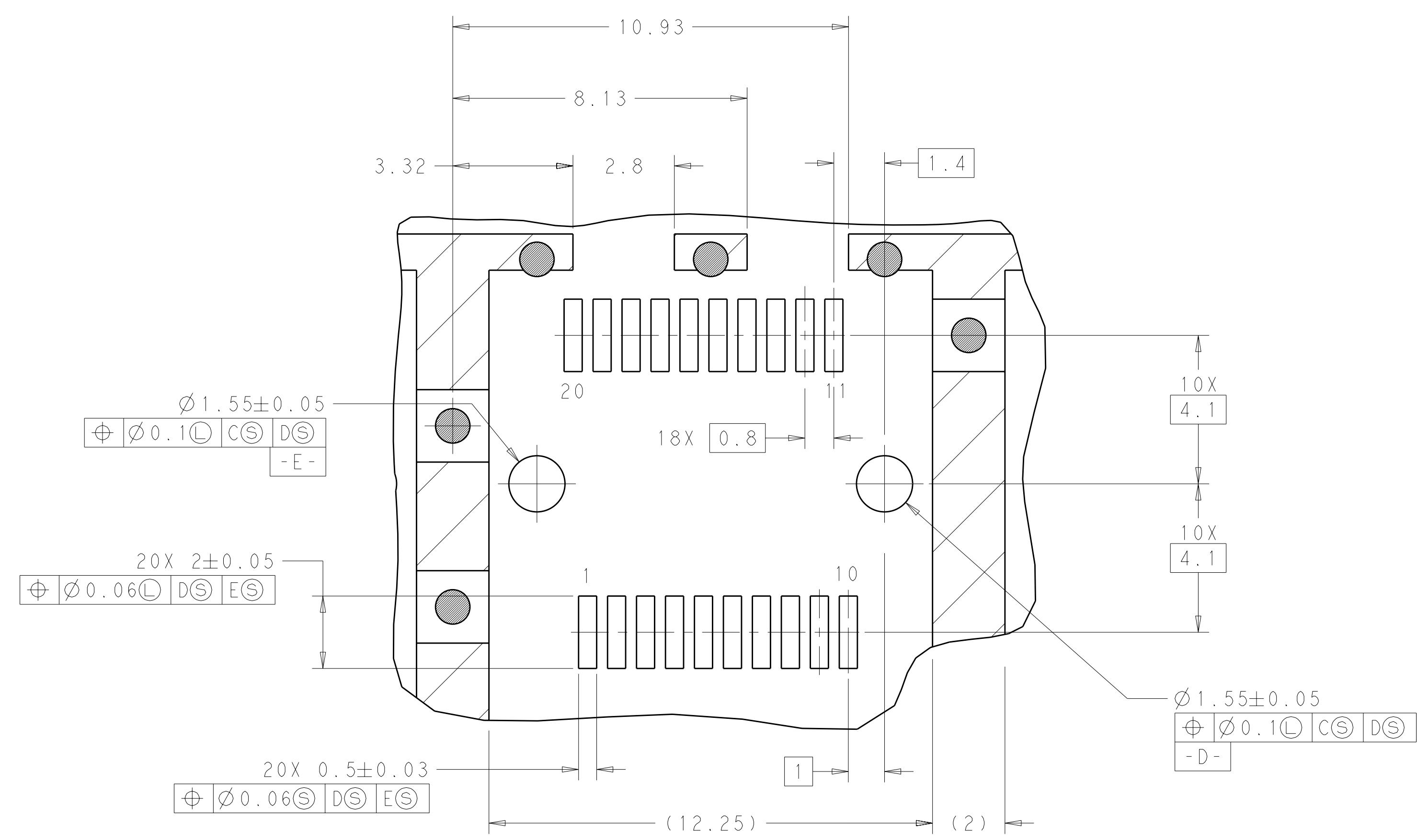
LOC	DIST	REVISIONS					
GP	00	P	LTB	DESCRIPTION	DATE	DWN	APVD
		-	-	SEE SHEET 1	-	-	-



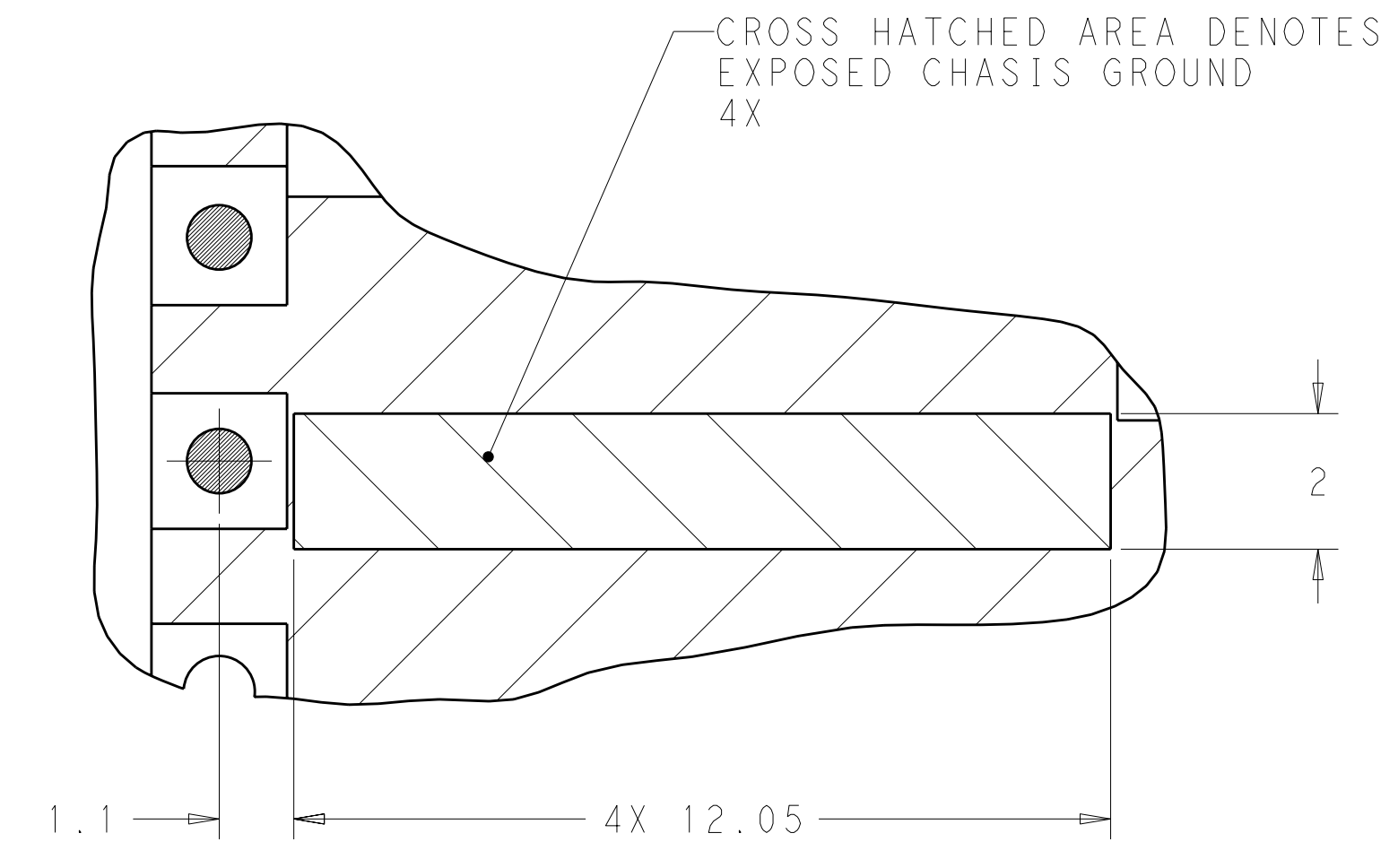
RECOMENDED PCB CONFIGURATION
 WITH KEEP OUT AREAS
 SCALE 6:1

DIMENSIONS: mm 		TOLERANCES UNLESS OTHERWISE SPECIFIED: 9 PLC ±0.1 1 PLC ±0.1 5 PLC ±0.1 4 PLC ±0.1 ANGLES ±0.1		DWN J. LIPPERT 15OCT2010 CHK M. SCHMITT 15OCT2010 APVD M. SCHMITT 15OCT2010 PRODUCT SPEC APPLICATION SPEC 114-13120 WEIGHT CUSTOMER DRAWING		Tyco Electronics Harrisburg, PA 17105-3608 NAME SFP+ 1X4 ENHANCED CAGE ASSEMBLY, PRESS FIT, EMI GASKET WITH LIGHT PIPE SIZE CAGE CODE DRAWING NO. RESTRICTED TO A100779C=2057161 SCALE 4:1 SHEET 3 OF 4 REV A	
-----------------------	--	---	--	--	--	--	--

LOC	DIST	REVISIONS					
GP	00	P	LTR	DESCRIPTION	DATE	DWN	APVD
		-	-	SEE SHEET 1	-	-	-



DETAIL Z
 RECOMMENDED PT CONNECTOR LAYOUT
 4X INDIVIDUALLY
 SCALE 10:1



DETAIL X
 SCALE 10:1

DIMENSIONS:		TOLERANCES UNLESS OTHERWISE SPECIFIED:		DWN		Tyco Electronics	
mm	9 PLC ± 0.1	9 PLC ± 0.1	15OCT2010	J. LIPPERT	15OCT2010	Tyco Electronics Harrisburg, PA 17105-3608	
	1 PLC ± 0.1	1 PLC ± 0.1	15OCT2010	M. SCHMITT	15OCT2010	NAME: SFP+ 1X4 ENHANCED CAGE ASSEMBLY, PRESS FIT, EMI GASKET WITH LIGHT PIPE	
	2 PLC ± 0.1	2 PLC ± 0.1	15OCT2010	M. SCHMITT	15OCT2010	SIZE: CAGE CODE: DRAWING NO: RESTRICTED TO	
	3 PLC ± 0.1	3 PLC ± 0.1	15OCT2010	M. SCHMITT	15OCT2010	A100779C=2057161	
	4 PLC ± 0.1	4 PLC ± 0.1	15OCT2010	M. SCHMITT	15OCT2010	SCALE: 4:1 SHEET 4 OF 4 REV A	
MATERIAL:	FINISH:	WEIGHT:	114-13120	CUSTOMER DRAWING			