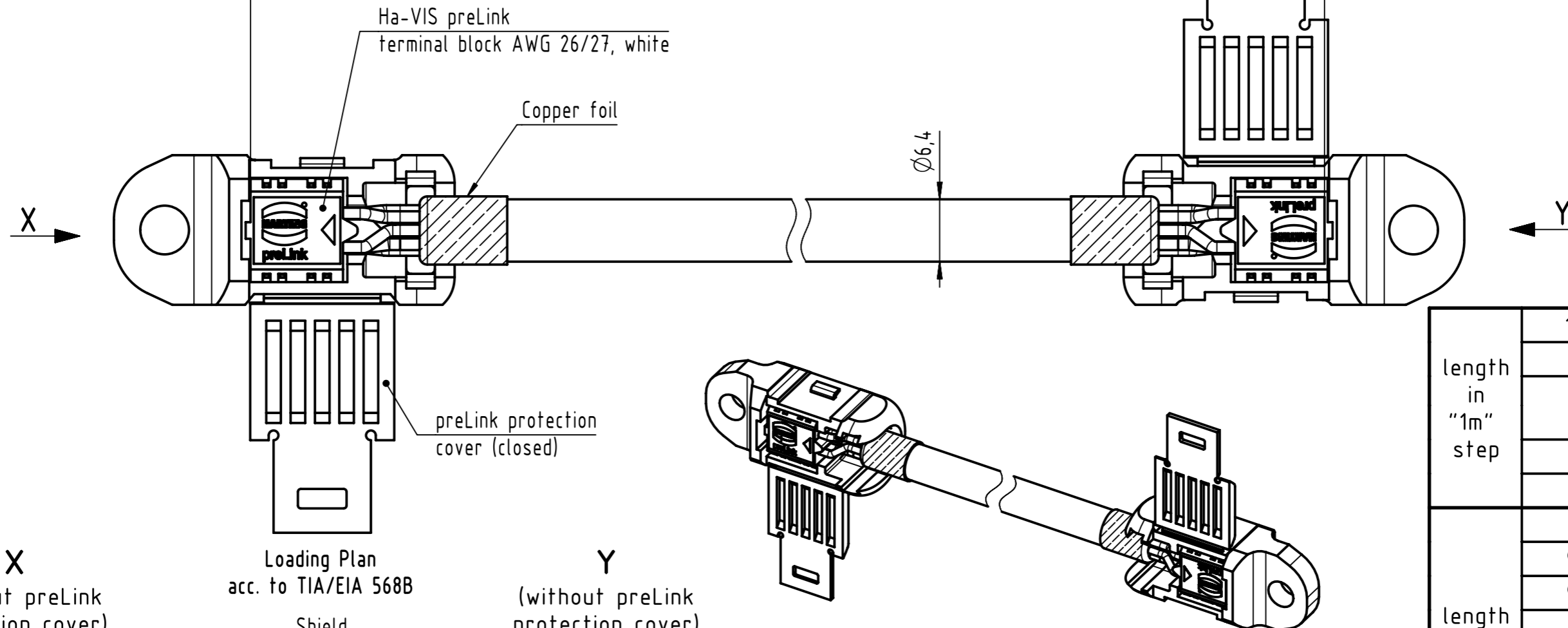


Connector Location A

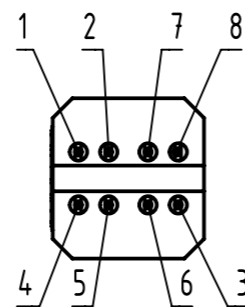
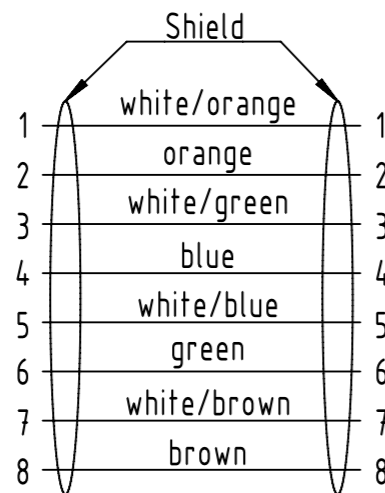
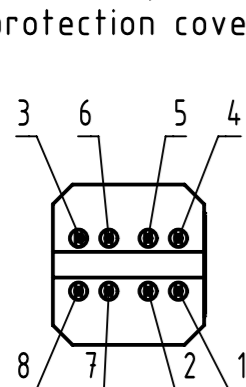
Connector Location B



X
(without preLink protection cover)

Loading Plan
acc. to TIA/EIA 568B

Y
(without preLink protection cover)



| | |
|--------------|------------------|
| 6.0 to 100 | ±1% |
| 0.6 to 5.9 | +0.04 |
| 0.2 to 0.5 | +0.02 |
| a [m] | Tolerance |

| | | |
|-----------------------|--------------|------------|
| length in "1m" step | 100 | XXX=000 |
| | 99 | XXX=990 |
| | 12 | XXX=120 |
| | 11 | XXX=110 |
| length in "0.1m" step | 10 | XXX=100 |
| | 9.9 | XXX=099 |
| | 9.8 | XXX=098 |
| | 0.5 | XXX=005 |
| | 0.4 | XXX=004 |
| | 0.3 | XXX=003 |
| | 0.2 | XXX=002 |
| Step | a [m] | XXX |

4x2xAWG 26/7, S/FTP, PUR, Cat.7, yellow

20826002XXX

Type of cable

Part no.

- Protection level: IP20
- Temperature range:
 - Fixed installation: -30°C ... +75°C
 - Dynamic installation: -5°C ... +50°C

| | | | | | | |
|---|---------------------|--|---------------------------------|--|--------------------|------------------------|
| | All rights reserved | Created by BANCIUD Banciu | Inspected by 402676 Gross | Standardisation MUNTEANV Muntean | Date 2020-11-20 | State Final Release |
| | Department HCS - RO | Title 2x preLink Cable 4x2xAWG26/7 Cat.6A | | Doc-Key / ECM-Nr. 100209218/UGD/005/E 500000183773 | | |
| HARTING Customised Solutions D-32339 Espelkamp | | Type TB | Number 20826002XXX | | Rev. E | Page 1/1 |