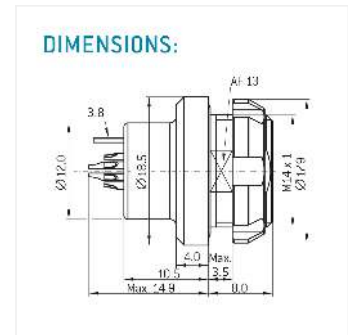
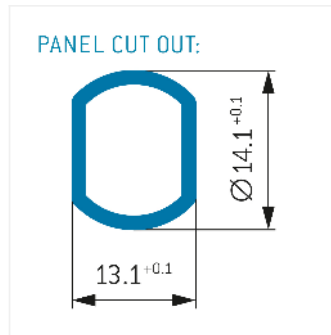
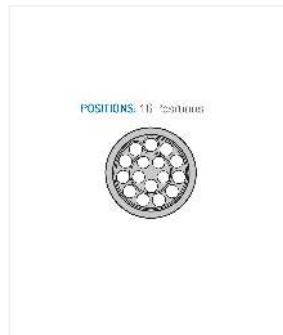
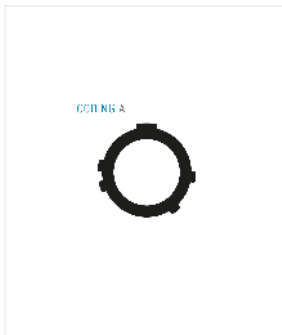


### General information

Part number	G81YAR-P16XDD0-ROOL
Termination	solder
Size	1
Locking principle	break , push
Coding	a_key_amc
Cable Diameter	cable_amc_1



### Contact insert description

Number of contacts	16
Contact type	spring_contact
Contact diameter	06mm
Insulator material	peek
Wire cross section	26_awg
Termination	solder
Termination diameter	065mm

reverse\_gender\_on\_request

### Technical information

Nominal current single contact	02_a	iec_60512_5_2
Nominal current insert	1 A	vde_0298_4
Test voltage	06_kv_ac	eia_364_20f

safety\_text

### Mechanical and environmental data

Degree of protection*	ipsk8_ip6k9k
Operating temperature	51_125_c
Mating cycles	5000

mated

### Material and surface treatments

<b>Housing</b>	ruthenium
<b>Contact</b>	cu_alloy_gold

safety\_text\_2  
ul\_text  
illustrative\_text