



PART NAME

MOUNTING BRACKET KIT

PART No.

EXN-23370-MBK

REV. DATE

10-10-15

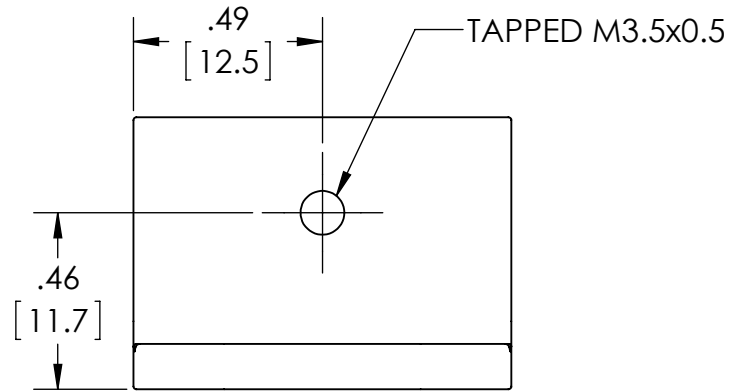
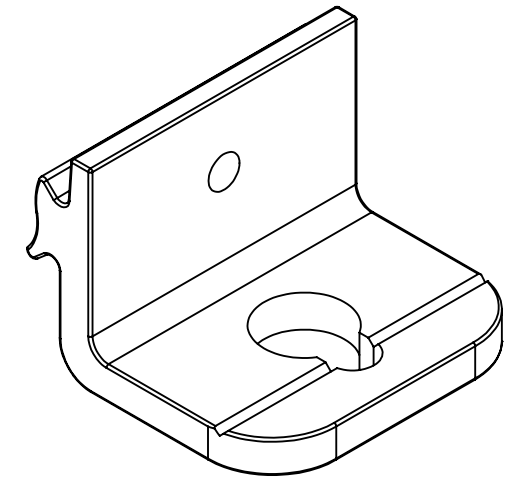
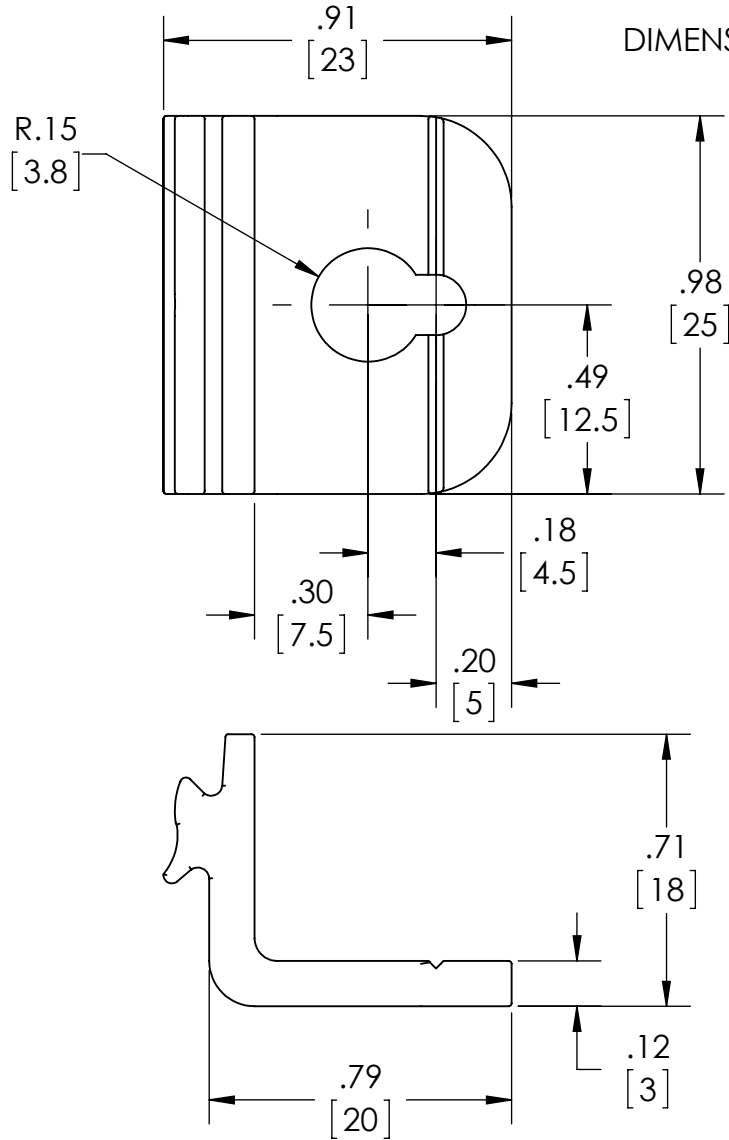
MATERIAL: ALUMINUM ALLOY #ADC-12

FINISH: SMOOTH BLACK POWDERCOAT

DIMENSIONS IN INCH[MM]

DRAWING FOR REFERENCE

WE RESERVE THE RIGHT TO MAKE CHANGES TO OUR STANDARD PRODUCTS. PLEASE CONSULT WITH BUD INDUSTRIES PRIOR TO USING THIS DRAWING FOR DESIGN PURPOSE.



KIT CONSISTS OF THE FOLLOWING ITEMS:

QTY. (2) BRACKETS

QTY. (2) M3.5x0.5 x 6.5mm LG. STAINLESS STEEL PAN HEAD SCREWS