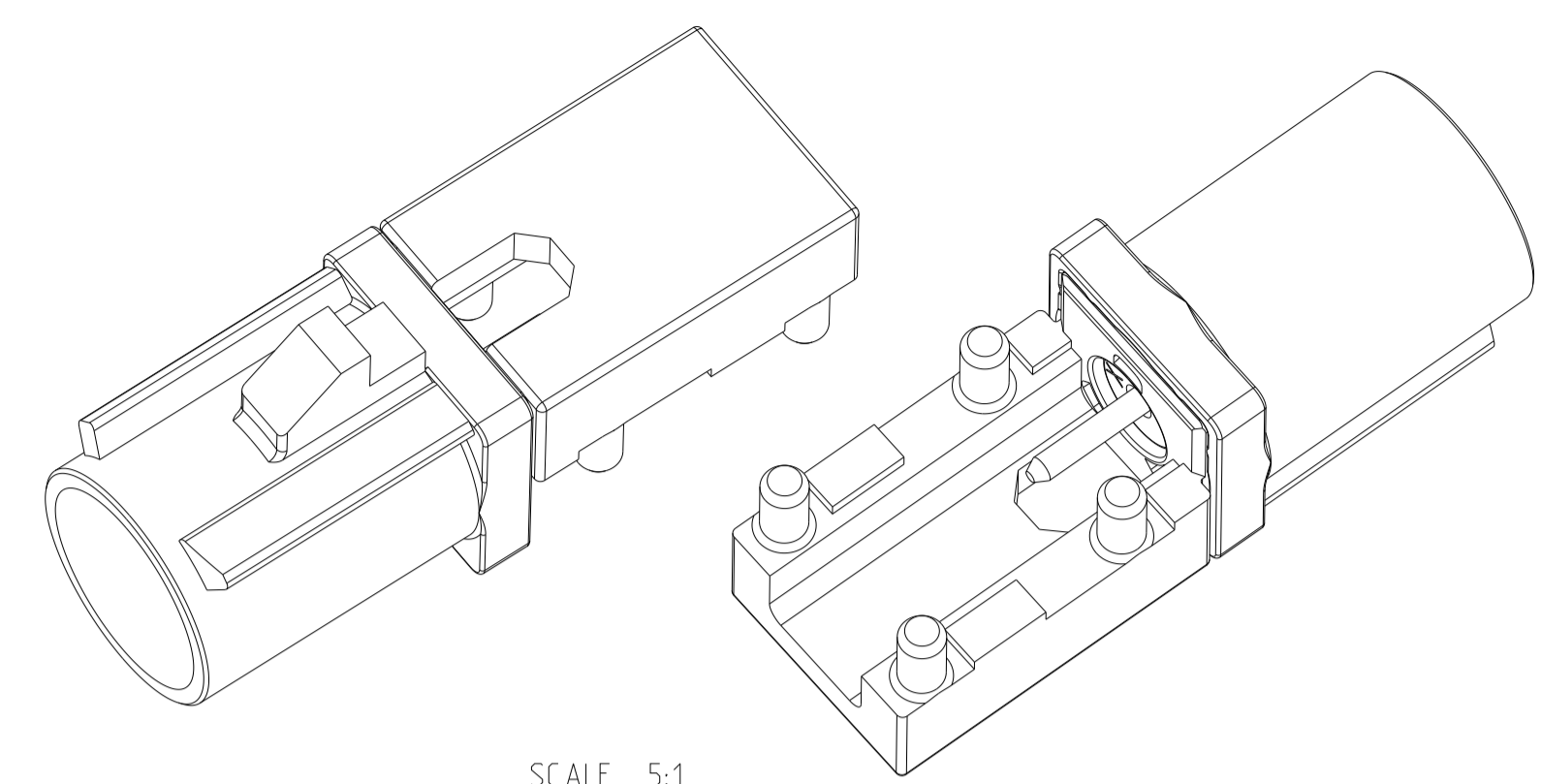
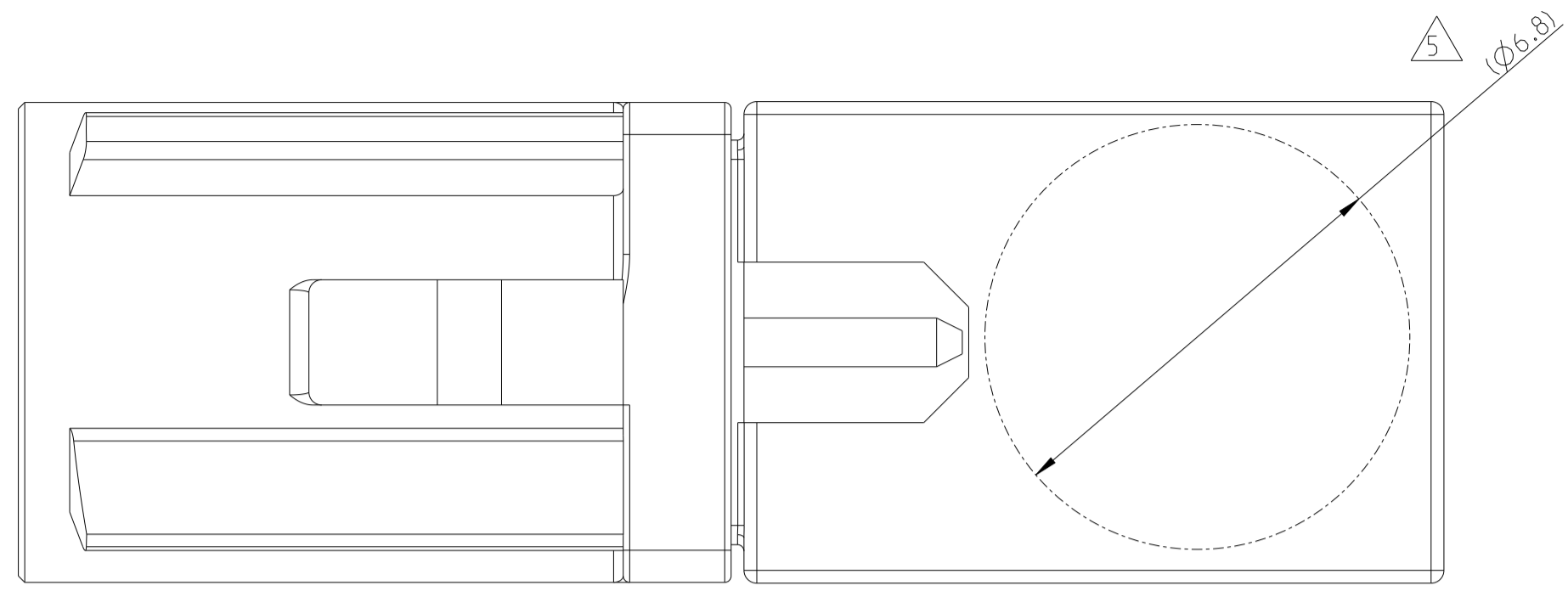
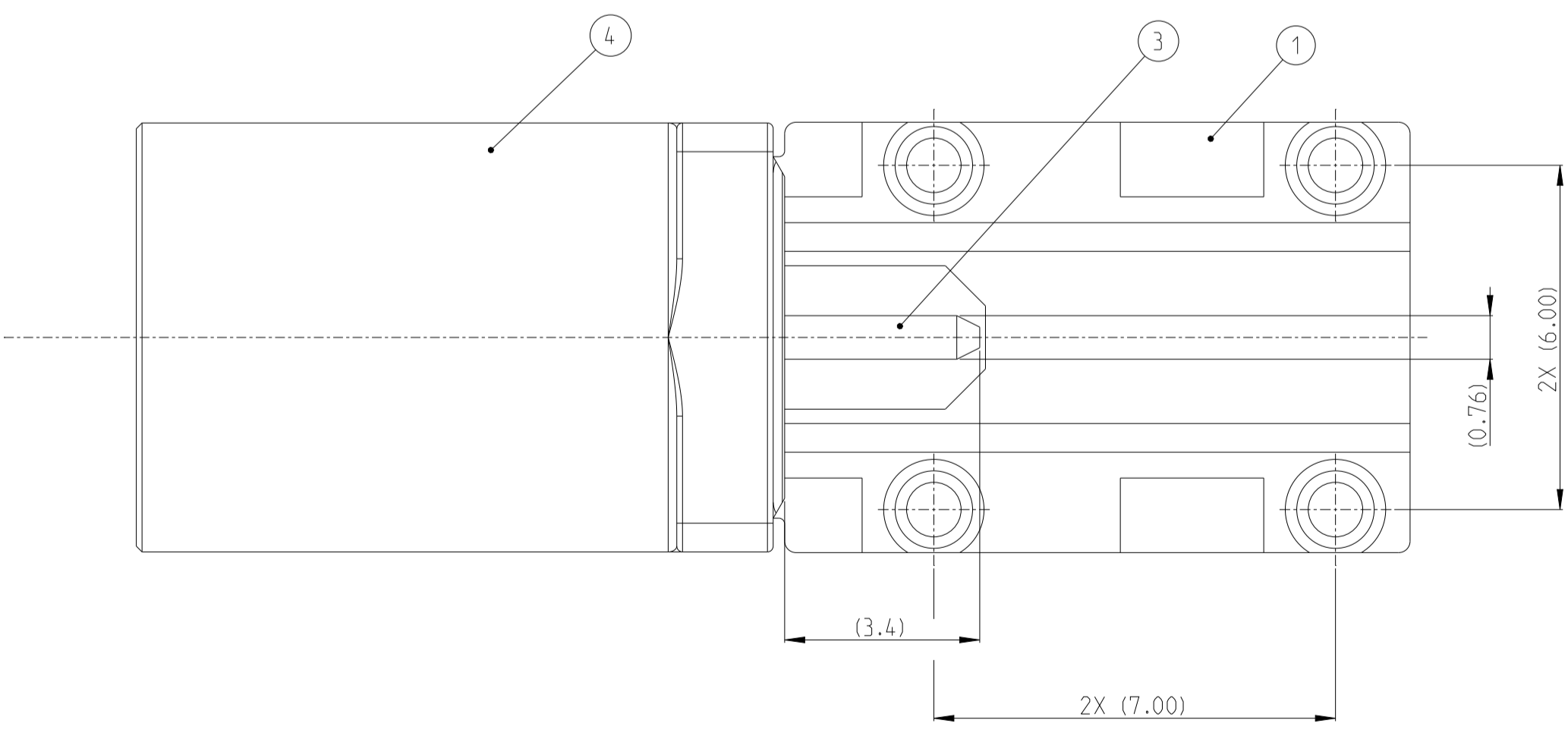
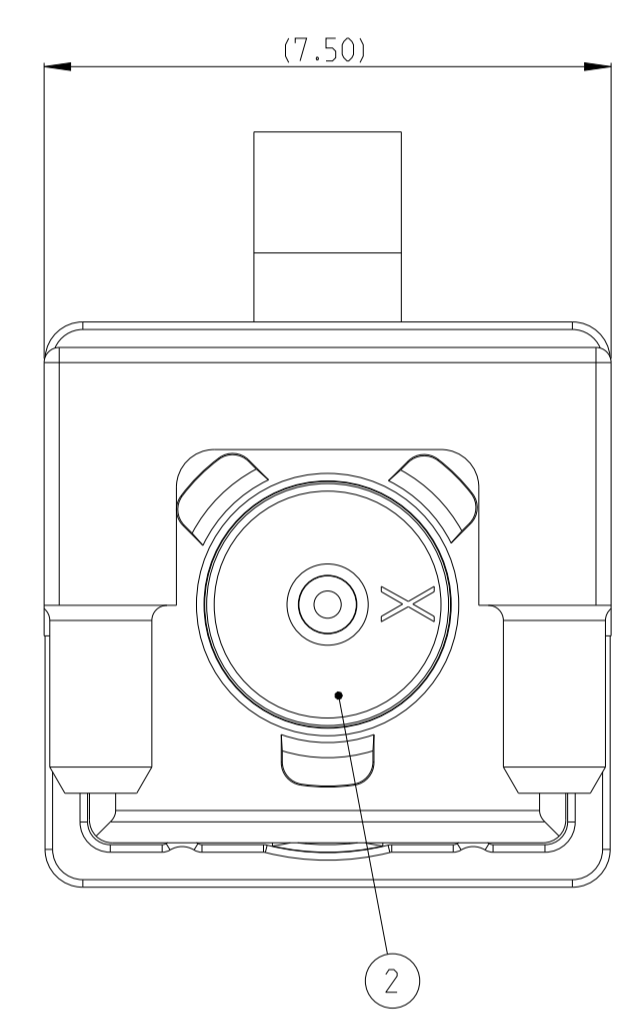
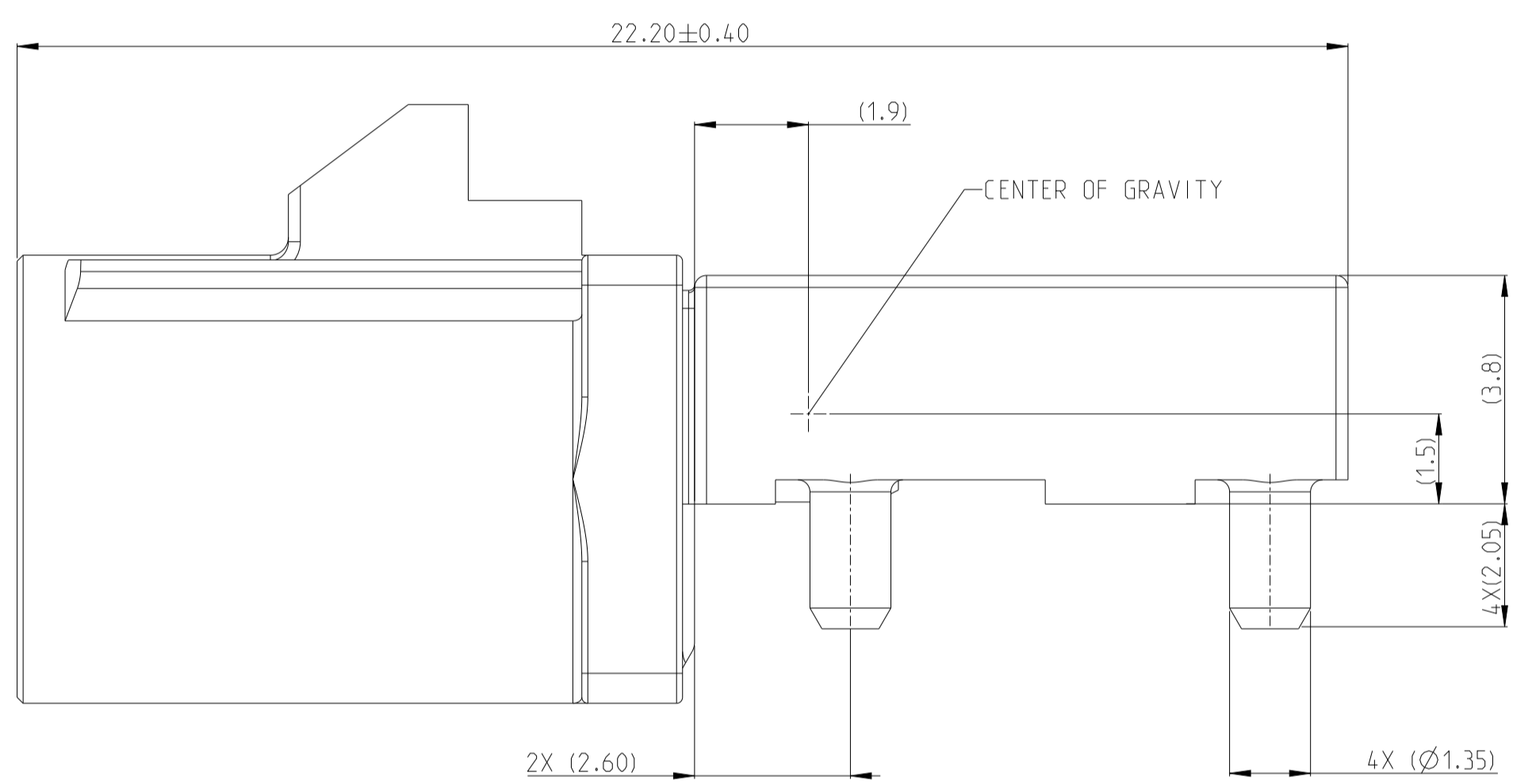
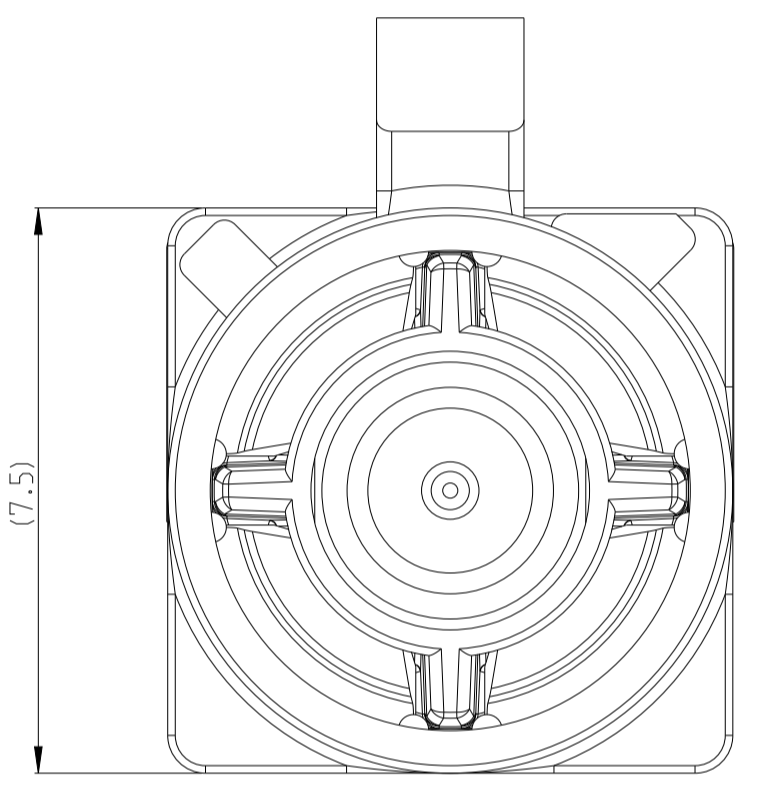


REVISIONS				
REV	LTN	DESCRIPTION	DATE	APPR
A		INITIAL RELEASE	19JUN19	D.Z
A1		REV PRE ECN-22-138283	08FEB22	A.C
A2		REV PRE ECN-22-191840	29DEC22	T.X



SCALE 5:1



- 1 NOSE CONE - NYLON. COLOR: SEE TABLE.
DIELECTRIC - POLYESTER PCT. NATURAL.
PIN CONTACT - BRASS.
OUTER SHELL - ZINC.
- 2 PIN CONTACT - GOLD PLATED ON INTERFACE END. 2.5µm MIN TIN ON SOLDER END.
BOTH OVER 1.3µm MIN NICKEL.
OUTER SHELL - 2.0µm MIN TIN OVER 1.52µm MIN NICKEL. BOTH OVER 2.54µm MIN COPPER.
- 3 MALE INTERFACE PER ISO 20860-1 OR DIN 72594-1.
- 4 MASS: 2.2g (ONLY FOR REFERENCE).
- 5 VACUUM PICKUP AREA.
- 6 PACKAGING: TAPE AND REEL.
- 7 AS SHOWN AS 2314170-1.

ACTIVE	3 O'CLOCK	PER DETAIL A	JET BLACK	MATERIAL BRASS	MATERIAL PCT	MATERIAL ZINC ALLOY	A	3-2314170-1
ACTIVE	12 O'CLOCK	PER DETAIL Z	WATER BLUE				Z	2-2314170-0
ACTIVE		PER DETAIL N	PASTEL GREEN				N	1-2314170-3
ACTIVE		PER DETAIL M	PASTEL ORANGE				M	1-2314170-2
ACTIVE		PER DETAIL L	CARMINE RED				L	1-2314170-1
ACTIVE		PER DETAIL K	CURRY				K	1-2314170-0
ACTIVE		PER DETAIL I	BEIGE				I	2314170-9
ACTIVE		PER DETAIL H	HEATHER VIOLET				H	2314170-8
ACTIVE		PER DETAIL G	BLUE GREY				G	2314170-7
ACTIVE		PER DETAIL F	NUT BROWN				F	2314170-6
ACTIVE		PER DETAIL E	LEAF GREEN				E	2314170-5
ACTIVE		PER DETAIL D	CLARET VIOLET				D	2314170-4
ACTIVE		PER DETAIL C	SIGNAL BLUE				C	2314170-3
ACTIVE		PER DETAIL B	CREAM				B	2314170-2
ACTIVE		PER DETAIL A	JET BLACK	A	2314170-1			
STATUS	LATCH DIRECTION	CODING DETAIL	NOSE CONE COLOR	CENTER PIN QTY=1	DIELECTRIC QTY=1	DIE CASTING QTY=1	CODING REF	PART NUMBER

THIS DRAWING IS A CONTROLLED DOCUMENT.

OWN: D.ZHU	19JUN2019	TE Connectivity NAME: FAKRA HEADER ASSEMBLY 1 POS. EDGE MOUNT
CHK: W.WU	01JUL2019	
APP: L.YIN	01JUL2019	
PRODUCT SPEC: 108-32058	APPLICATION SPEC: 116-32108	
MATERIAL:	FINISH:	SIZE: A1 CAGE CODE: - DRAWING NO: C=2314170 WEIGHT: - CUSTOMER DRAWING:

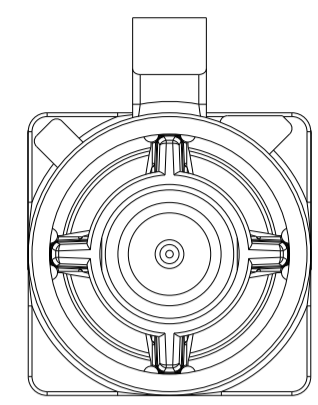
RESTRICTED TO: -

SCALE: 10:1 SHEET: 1 OF 2 REV: A2

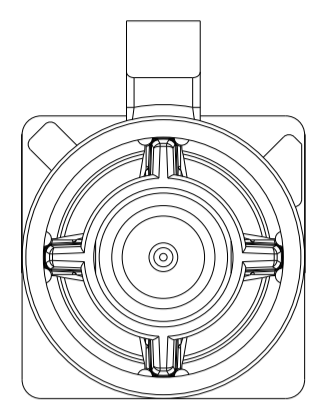
REVISIONS				
P.	LTN	DESCRIPTION	DATE	APVD
-		SEE SHEET 1	-	-

CODINGS

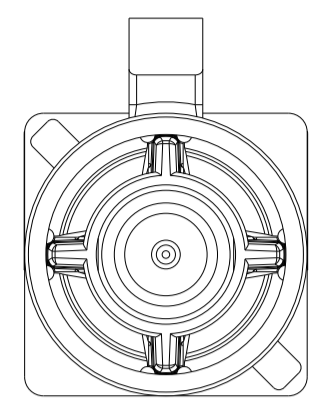
LATCH DIRECTION : 12 O'CLOCK



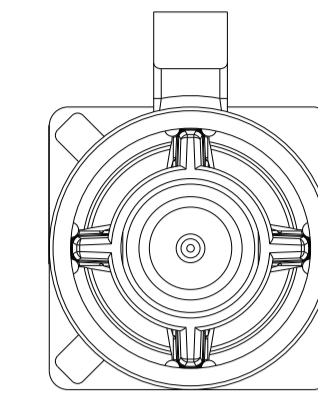
SCALE 5:1
DETAIL A



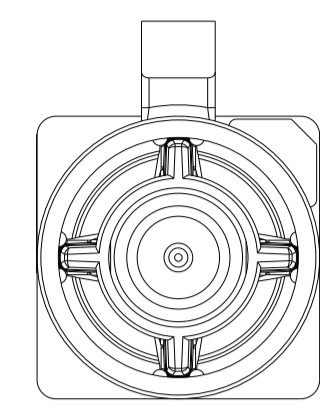
SCALE 5:1
DETAIL B



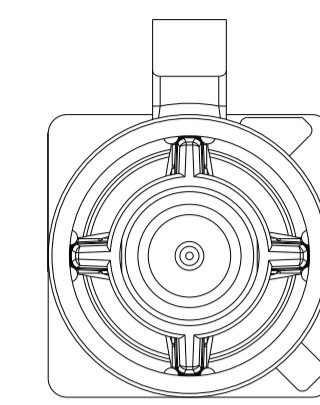
SCALE 5:1
DETAIL C



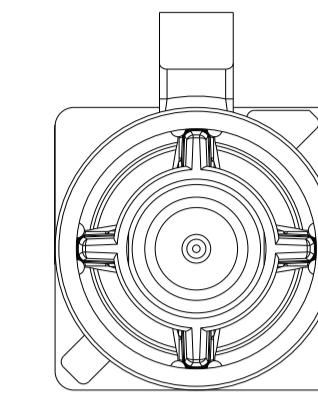
SCALE 5:1
DETAIL D



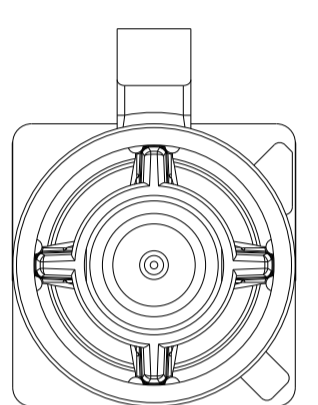
SCALE 5:1
DETAIL E



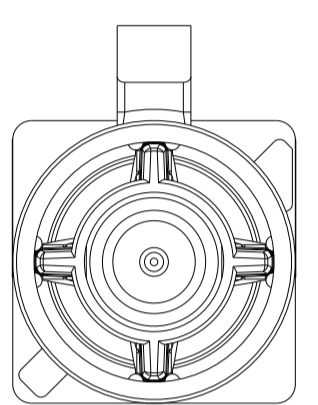
SCALE 5:1
DETAIL F



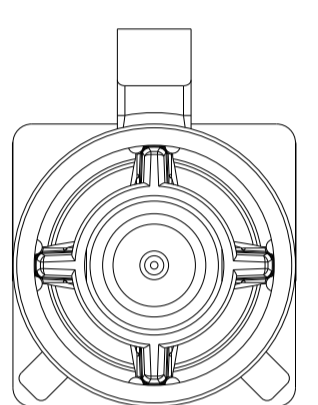
SCALE 5:1
DETAIL G



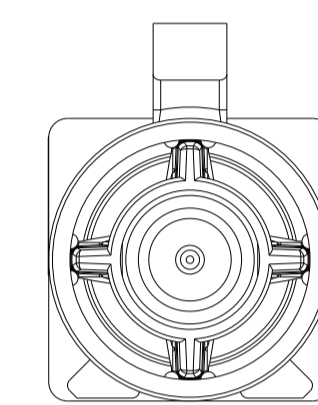
SCALE 5:1
DETAIL H



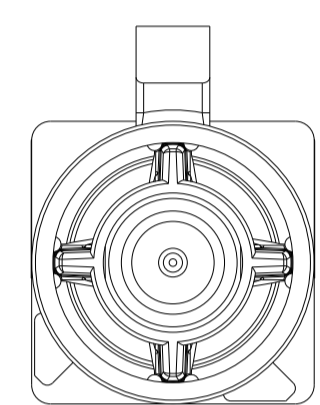
SCALE 5:1
DETAIL I



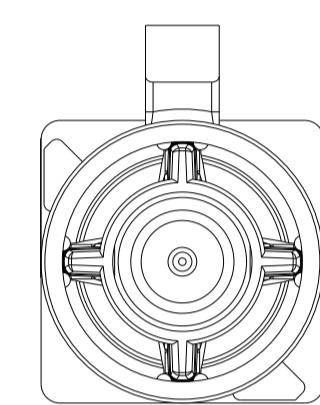
SCALE 5:1
DETAIL K



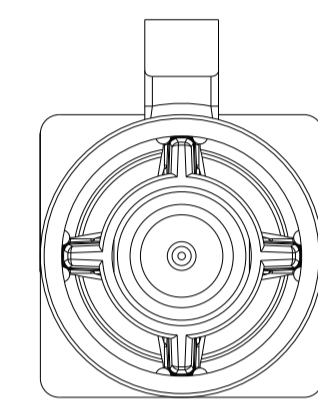
SCALE 5:1
DETAIL L



SCALE 5:1
DETAIL M

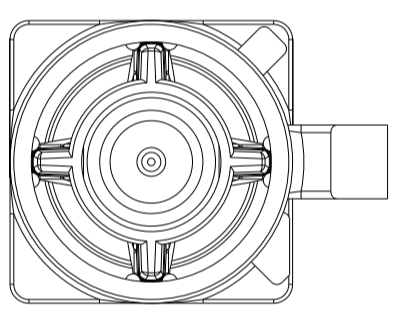


SCALE 5:1
DETAIL N

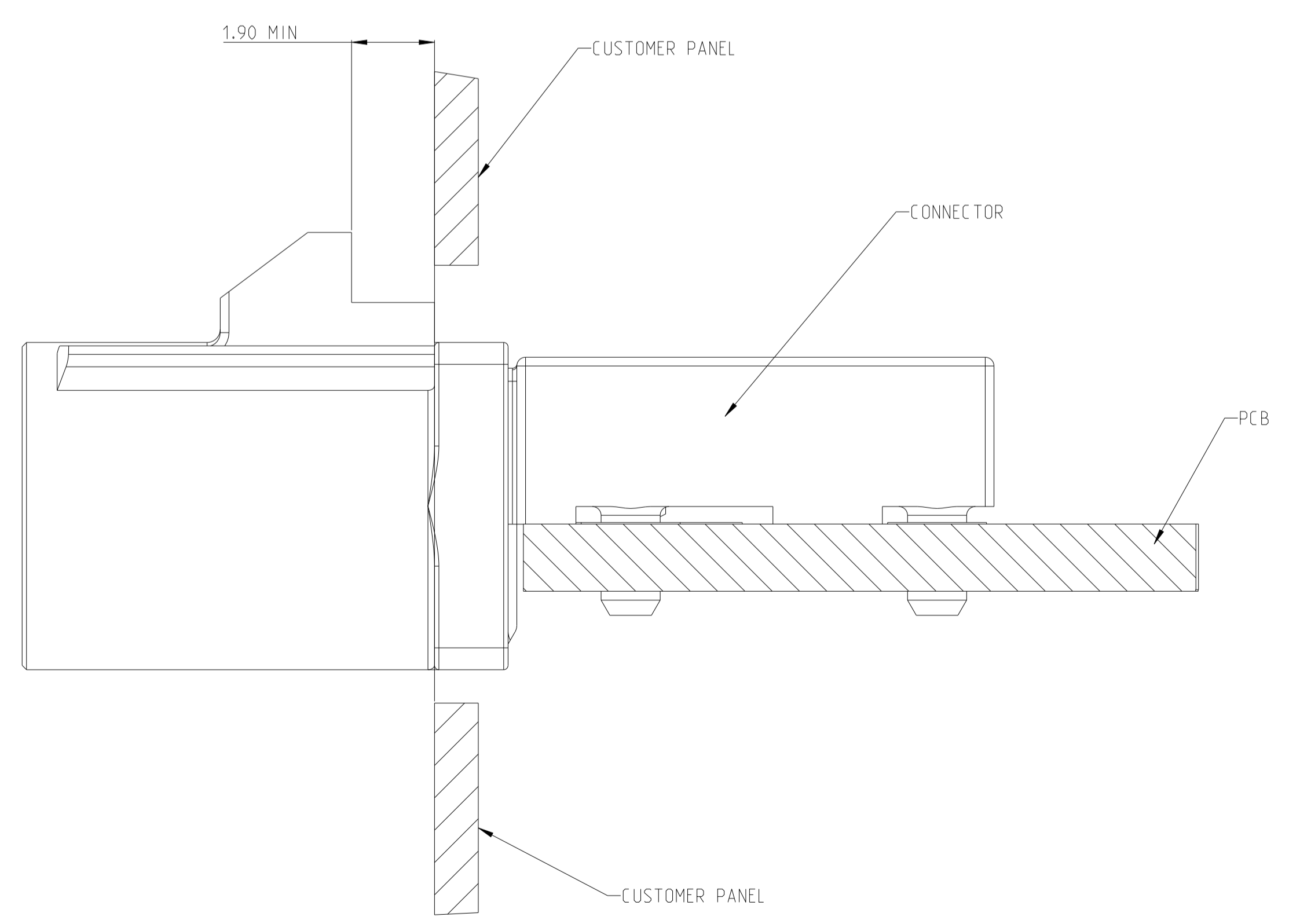
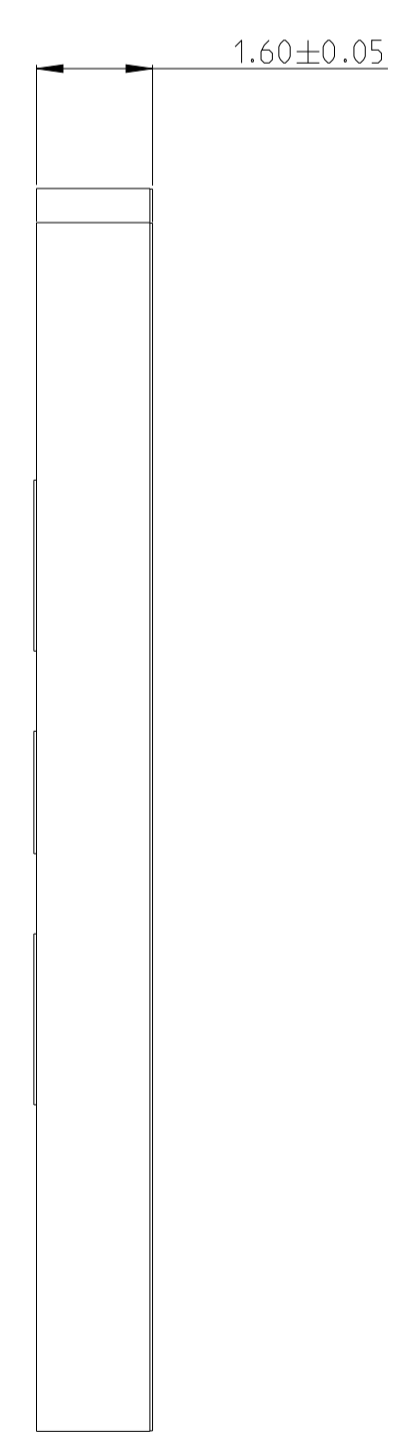
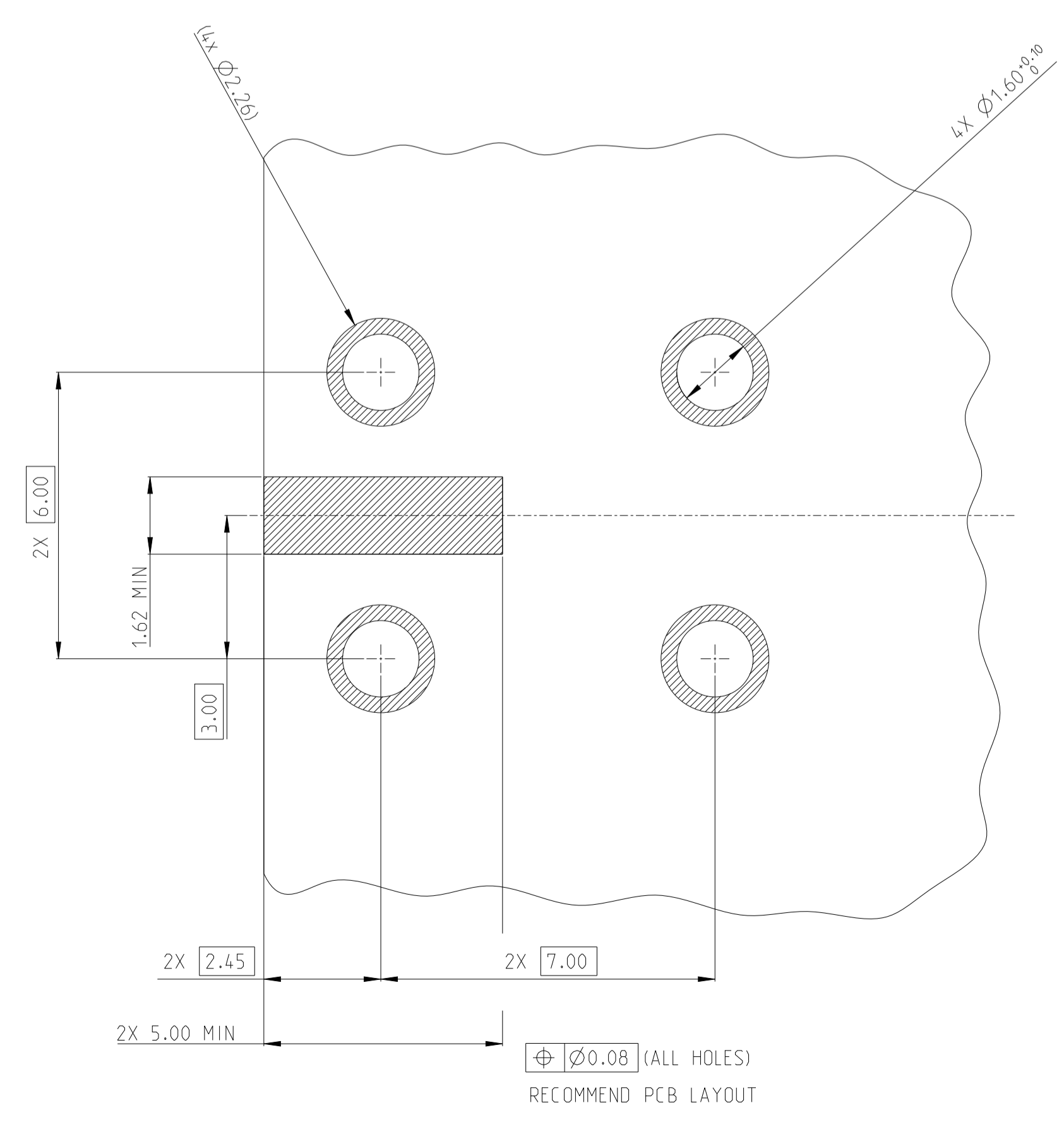


SCALE 5:1
DETAIL Z

LATCH DIRECTION : 3 O'CLOCK



SCALE 5:1
DETAIL A



RECOMMEND PANEL LAYOUT

THIS DRAWING IS A CONTROLLED DOCUMENT.		OWN: D.ZHU	19 JUN 2019	
		CHK: W.W.U	01 JUL 2019	
		APVD: L.Y.LIN	01 JUL 2019	NAME: FAKRA HEADER ASSEMBLY 1 POS. EDGE MOUNT SIZE: A1 CAGE CODE: - DRAWING NO: C=2314170 RESTRICTED TO: - SCALE: 5:1 SHEET 2 OF 2 REV: A2
DIMENSIONS: mm		TOLERANCES UNLESS OTHERWISE SPECIFIED:		
0 PLC ±0.3 1 PLC ±0.20 2 PLC ±0.20 3 PLC ±0.20 4 PLC ±0.20 ANGLES ±0.5 FINISH ±0.1		PRODUCT SPEC: 108-32058 APPLICATION SPEC: 114-32108 WEIGHT: -		
MATERIAL: -		CUSTOMER DRAWING		