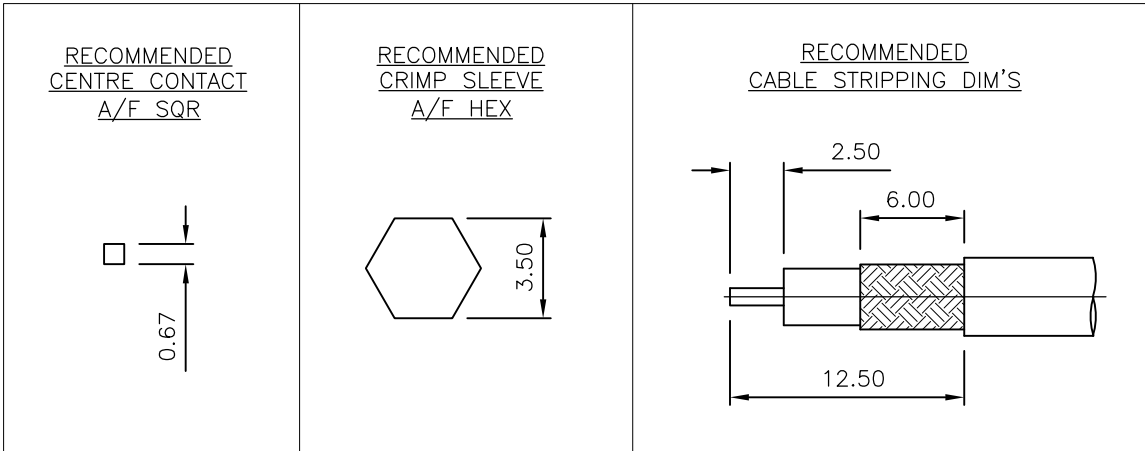
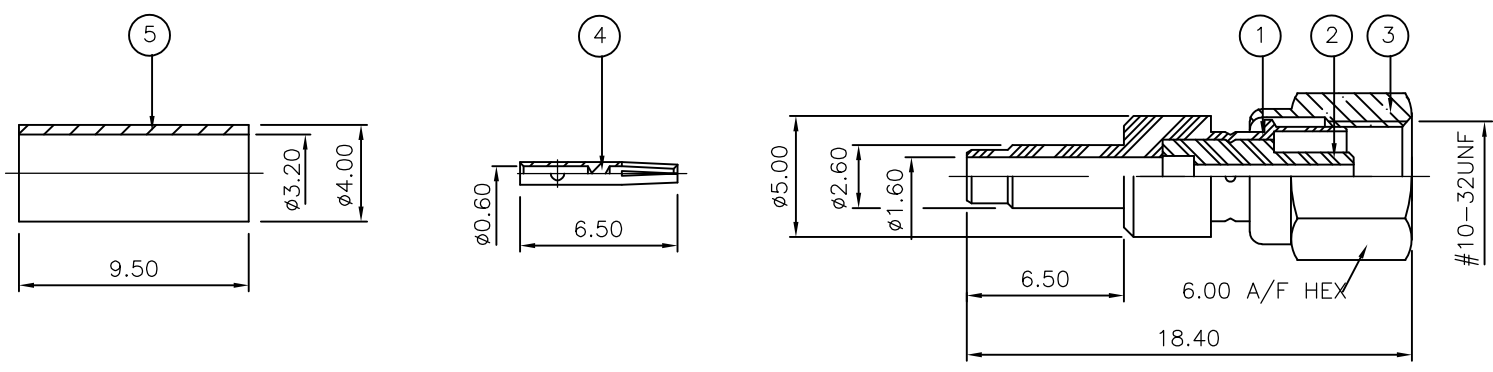


THIS DRAWING IS UNPUBLISHED. RELEASED FOR PUBLICATION FEB ,2006.
 © COPYRIGHT 2006 By - ALL RIGHTS RESERVED.

LOC	DIST	REVISIONS			
P	LTR	DESCRIPTION	DATE	DWN	APVD
E	B				
	D	ECO-12-013958	18JAN2013	RZ	MY

NOTES:

- 1 PACK IN ACCORDANCE WITH AMP SPEC 107-3275
- 2 100 TRAY PACK IN ACCORDANCE WITH AMP SPEC 107-3275
- 3 Au PLATING
- 4 HAND TOOL : 9-1478240-0
- 5 DIE SET : 9-1478248-0
- 6 ELECTRICAL CHARACTERISTICS
 FREQUENCY RANGE: DC - 10 GHz
 NOMINAL IMPEDANCE: 50 Ohm
 INSULATION RESISTANCE: 1000 MOhm MIN
 WORKING VOLTAGE: 250 Volts RMS AT SEA LEVEL
 DIELECTRIC WITHSTAND VOLTAGE: 750 Volts RMS MAX
 CONTACT RESISTANCE:
 CENTRE CONTACT: 6.00 mOhm MAX
 OUTER CONTACT: 1.00 mOhm MAX
 VSWR @ 3GHz: 1.35:1
 INSERTION LOSS dB @ x 10 GHz: 2.5 MAX
- 7 MECHANICAL CHARACTERISTICS
 COUPLING NUT RETENTION FORCE: 35 LBS MIN
 RECOMMENDED COUPLING TORQUE: 1 IN-LBS MAX
 DURABILITY: 500 CYCLES MIN
- 8 ENVIRONMENTAL CHARACTERISTICS
 OPERATING TEMPERATURE: -65 to +165 DegC



QTY	UNIT	MATERIAL	DESCRIPTION	ITEM
1	1	BRASS	FERRULE	5
1	1	BERYLLIUM COPPER	CONTACT	4
1	1	BRASS	COUPLING NUT	3
1	1	PTFE	INSULATION	2
1	1	BRASS	BODY	1
6--0	1--0	MATERIAL	DESCRIPTION	ITEM
QUANTITY PER ASSY		PARTS LIST		

THIS DRAWING IS A CONTROLLED DOCUMENT.

DWN J.SANDWELL 15FEB06
 CHK S.PARLOW 15FEB06
 APVD F.WHEELER-KING 15FEB06

STE TE Connectivity

NAME: SMC STRAIGHT PLUG CRIMP 50 OHM
 RG174A/U, 188A/U, 316/U, URM95, KX3B, KX22A

PRODUCT SPEC: -
 APPLICATION SPEC: 411-3247

SIZE: A3 CAGE CODE: 00779 DRAWING NO: C-1337608 RESTRICTED TO: -

MATERIAL: SEE TABLE FINISH: -

WEIGHT: -

CUSTOMER DRAWING SCALE: NTS SHEET: 1 OF 1 REV: D