

FLEXIBLE SEALED CIRCULAR SYSTEMS



FEATURES & BENEFITS

- Metal or plastic, 12 mm, 16 mm and 22 mm shells
- Choice of pin configuration and gender
- Bayonet-style latching systems meet IP68 requirements
- Cost-effective crimp version available (samtec.com/crimp)
- Variety of end 2 options for panel-to-board applications
- Mini push-pull latching system meets IP67 requirements for dust and waterproof sealing



Kitted components for efficient field assembly



Dust caps available

ACX-12

MAX

5.0
A m p s

No. of Pins
2, 4, 5

ACX-16

MAX

11.6
A m p s

No. of Pins
2, 10, 14

ACX-22

MAX

8.3
A m p s

No. of Pins
8, 20, 30

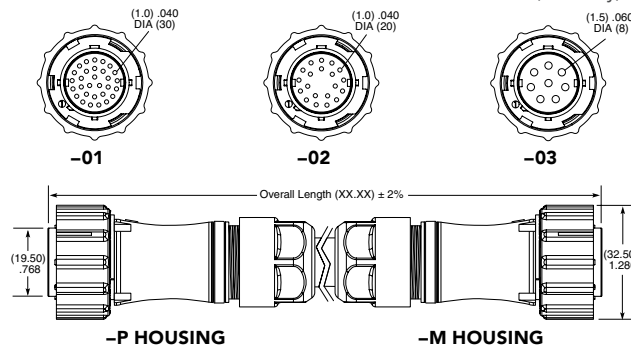
KEY SPECIFICATIONS

| INSULATOR MATERIAL | TERMINAL MATERIAL | CONTACT MATERIAL | OPERATING TEMP RANGE | HOUSING |
|--------------------|-------------------|------------------|---------------------------------------------------------------------------------------|---------------------------------------|
| Thermoplastic | Brass | Brass/BeCu | -10 °C to +80 °C (ACX-12) -10 °C to +105 °C (ACX-16) -10 °C to +105 °C (ACX-22) | Thermoplastic (-P) Zinc Alloy (-M) |

22 mm • IP68 SEALED CABLE ASSEMBLY

| SERIES | 22 | LEAD STYLE | PLATING OPTION | LENGTH | END 1 | END 2 | HOUSING MATERIAL | KEYING OPTIONS |
|-----------------|----|---------------------------------------------------------------------|---------------------------------------------------------------------------------|------------------------------------------------------------------------------------------------------|-------------------------|---------------------------------------------------------------------------------------------------------------|------------------------|-------------------------------|
| ACP Terminal | | -01 = 1.0 mm DIA (30) terminals or sockets (24 AWG) | -G = 10 μ" (0.25 μm) Gold over 50 μ" (1.27 μm) Ni on contact | -"XX.XX" = Length in meters (00.25 m min. to 50.00 m max.) Standard lengths | -T = Terminal | -T = Terminal (ACP only) | -P = Plastic | -1 = Orange, 45° |
| ACR Socket | | -02 = 1.0 mm DIA (20) terminals or sockets (24 AWG) | | | -S = Socket | -S = Socket (ACP only) | -M = Metal | |
| | | -03 = 1.5 mm DIA (8) terminals or sockets (16 AWG) | | | | -BC = Blunt Cut | | |
| | | | | | | -S1 = Connector determine by lead style. See chart for end 2 connector used. (ACR only) | | |

ACP-22
End 1/2 Mates:
ACP-22
ACR-22
ACRK-22

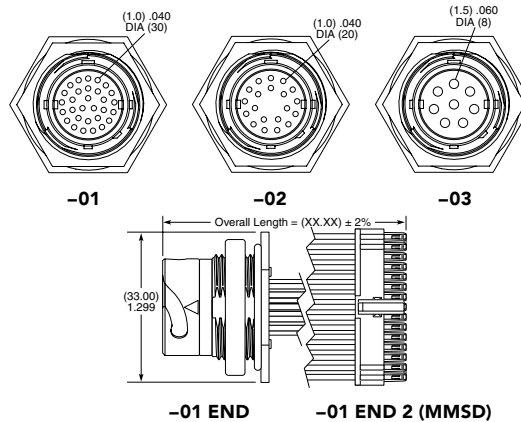


View complete specifications at: samtec.com?ACP-22

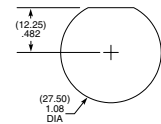
ACR-22
End 1 Mates:
ACP-22
ACPK-22



End 2 Mates:
IPL1, MPT



PANEL OPENING



| LEAD STYLE | -S1 END 2 | MATES WITH -S1 |
|------------|---------------|----------------|
| -01 | MMSD (24 AWG) | IPL1 |
| -02 | MPSS (16 AWG) | MPT |

View complete specifications at: samtec.com?ACR-22

| CURRENT RATING | | |
|----------------|--------------|-------------|
| LEAD STYLE | PINS POWERED | CCC per PIN |
| -01 | 30 | 2.0 A |
| -02 | 20 | 2.3 A |
| -03 | 8 | 8.3 A |

For general reference only. Contact AccliMate@samtec.com for applications requiring higher current carrying capacity.

KITS AVAILABLE

www.samtec.com?ACPK-22
www.samtec.com?ACRK-22

Note:
Some lengths, styles and options are non-standard, non-returnable.