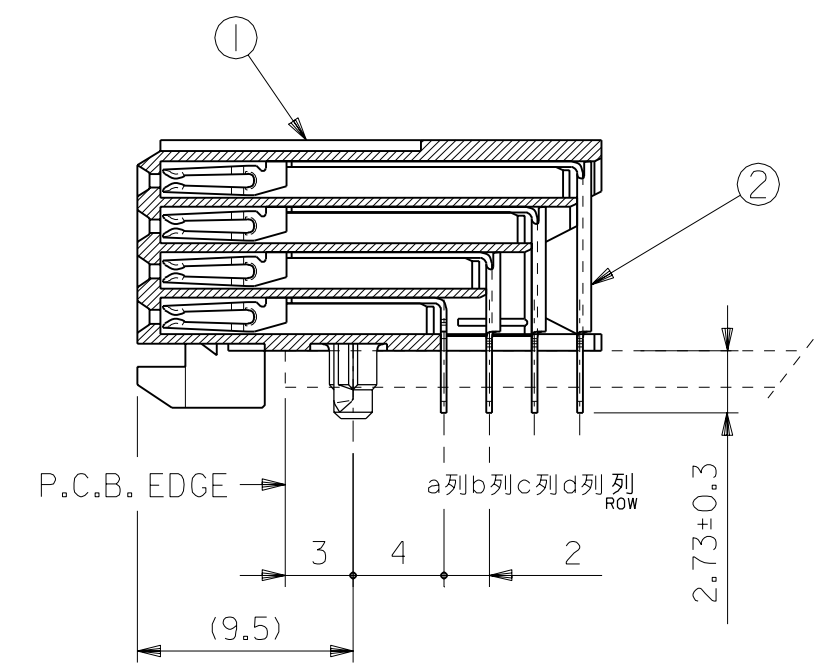
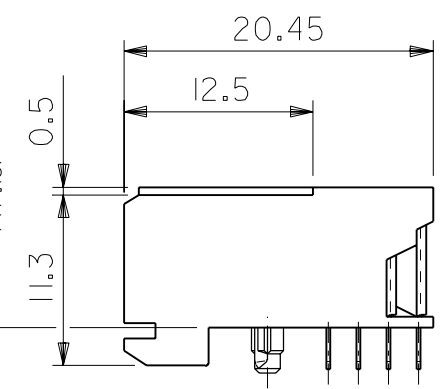
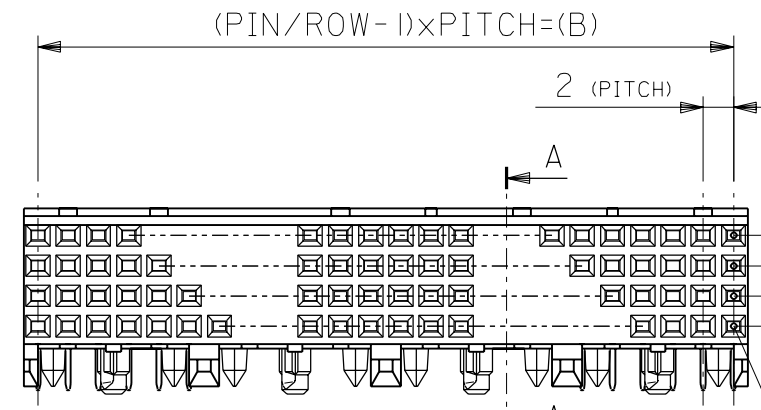
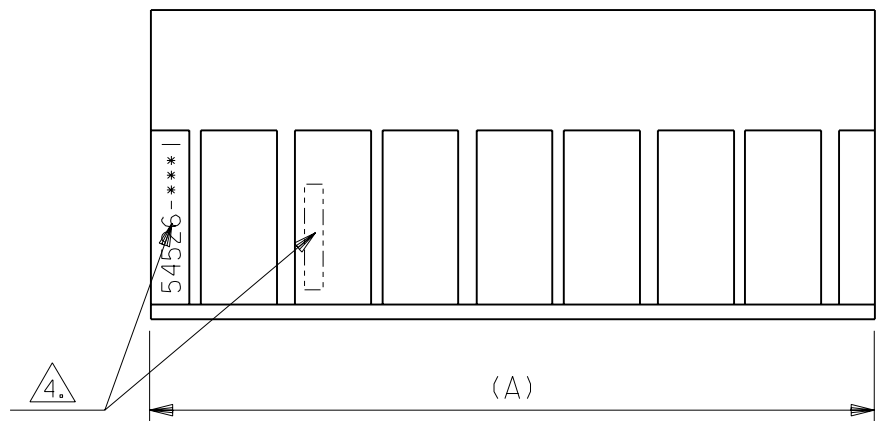
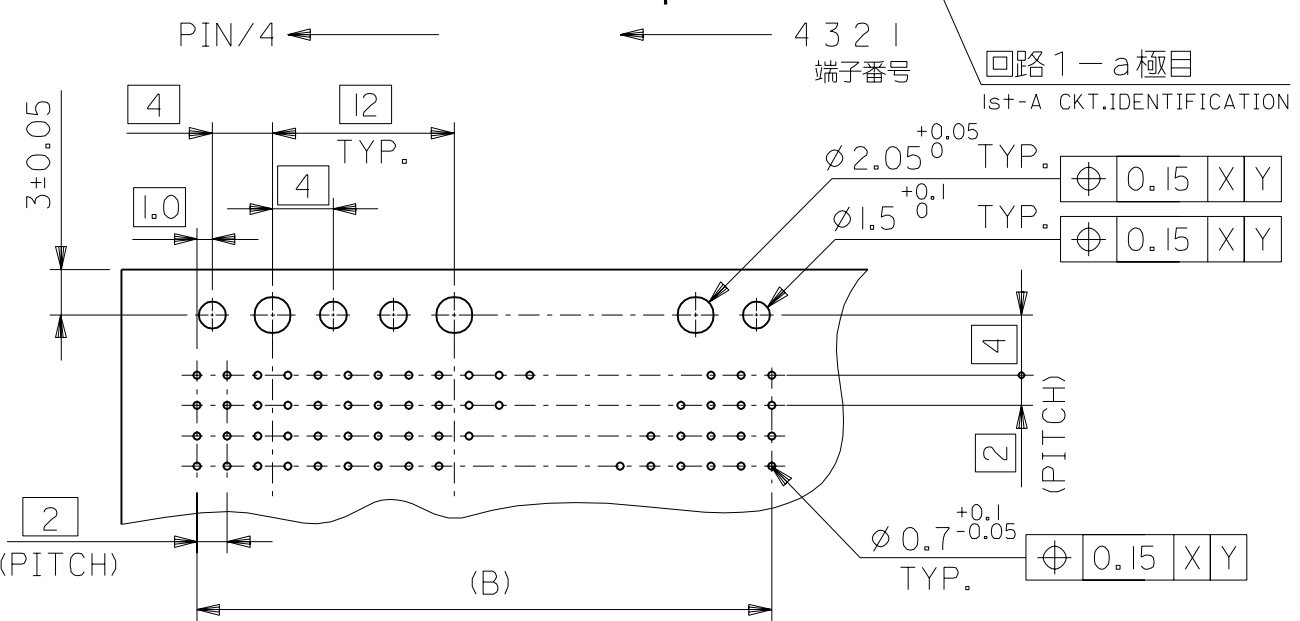


DWG. NO. SD-54526-001

番号 No.	部品 PART NAME	材質 MATERIAL	仕上げ FINISH
①	リセプタクル ハウジング RECEPTACLE HOUSING	液晶ポリマー、ガラス充填、自然色(白)、UL94V-0 LCP, GLASS FILLED, NATURAL(WHITE), UL94V-0	—#—
②	リセプタクル ターミナル RECEPTACLE TERMINAL	リン青銅 PHOSPHOR BRONZE	△1.



A-A
(NON-SCALE)



基板穴推奨寸法 (部品実装)
RECOMMENDED P.C.B. LAYOUT (COMPONENT SIDE)

- 注記
NOTE :
- △1. ターミナル めっき仕様
TERMINAL PLATING
金めっき: 0.76 μm MIN. (接点部)
GOLD: 0.76 μm MIN. (CONTACT AREA)
半田めっき: 1.0 μm MIN. (半田付け部)
TIN-LEAD: 1.0 μm MIN. (SOLDER AREA)
ニッケルメッキ: 2.0 μm MIN. (下地めっき)
NICKEL: 1.0 μm MIN. (UNDER PLATING)
 - 2. 推奨基板厚: t=1.6
RECOMMENDED P.C.B. THICKNESS: t=1.6
 - 3. 適合プラグ: 53901-***5, 55222-***5, 55089-***5
APPLICABLE PLUG: 53901-***5, 55222-***5, 55089-***5
 - △4. 製品番号及びロットナンバー
MATERIAL NO. & LOT NO.

94	95.98	54526-1921	192
58	59.98	54526-1201	120
46	47.98	54526-0961	96
22	23.98	54526-0481	48
10	11.98	54526-0241	24
B	A	MATERIAL NO.	PIN

DO NOT SCALE DRAWING

DRAWING INFORMATION				MATERIAL		GENERAL TOLERANCES:		SCALE		DESIGN UNITS		PROJECTION		TITLE		MATERIAL NO.		DRAWING NO.		SHEET NO.	
DRW. NO.	CH'K.	APPR.	REV	FINISH	WIRE RANGE	INS. RANGE	10 UNDER	10 OVER	2-1	mm	INCH	2D	3D	"MFB" B/B CONN. (FB+) REC. ASS'Y 4ROWS DIP		SEE TABLE	SD-54526-001	1 OF 1	SIZE	B	
8	7	6	5	—#—	—#—	—#—	±0.2	±0.25	30 UNDER	±0.3	mm	INCH	PROJECTION	MOLEX INCORPORATED		SEE TABLE	SD-54526-001	1 OF 1	B		
THIS DRAWING CONTAINS INFORMATION THAT IS PROPRIETARY TO MOLEX INCORPORATED AND SHOULD NOT BE USED WITHOUT WRITTEN PERMISSION.																					