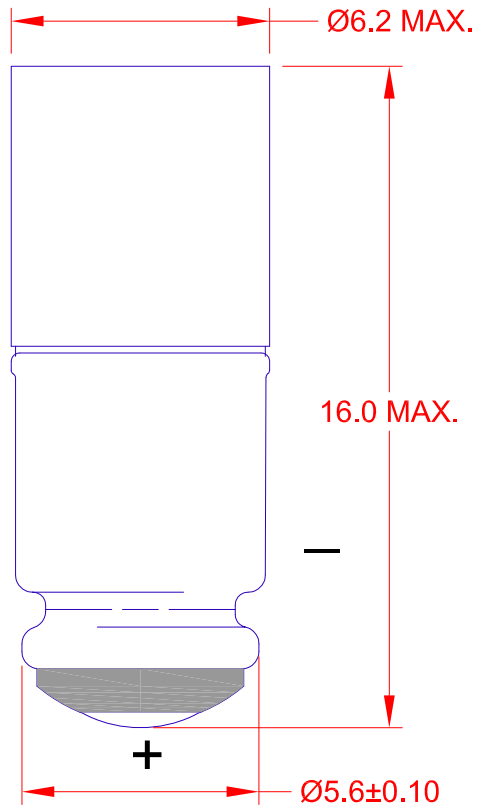


# T-1 3/4 MIDGET GROOVE BASE LED



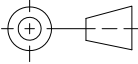
JKL PART NUMBER	EMITTING COLOR	AMPERAGE mA	VOLTAGE Vdc	LUMENS	VIEWING ANGLE
LE-MG-12W	WHITE	12.0	12	3.0	40°
LE-MG-24W	WHITE	14.0	24	3.5	40°

OPERATING TEMPERATURE RANGE -30°C TO +85°C

STORAGE TEMPERATURE RANGE -40°C TO +100° C

## NOTES:

- LED includes integrated diode for reverse voltage protection.
- LED includes integrated resistor for current limiting.

		<b>METRIC</b>  THIRD ANGLE PROJECTION		DIMENSIONS ARE IN MILLIMETERS TOLERANCE UNLESS OTHERWISE SPECIFIED 1 PL +/- 0.2 2 PL +/- 0.20 ANGLE +/- 0		<b>JKL COMPONENTS CORPORATION</b>					
				TITLE <b>T-1 3/4 MIDGET GROOVE BASE LED</b>		SIZE <b>A</b>		FSCM NO. <b>55335</b>		DRAWING NO. <b>LE-MG MULTI</b>	
DRAWN BY <b>L. WENGSTROM</b>		APPVD BY <b>L.R.</b>		DATE <b>6/13/12</b>		SCALE <b>NONE</b>		RELEASED DATE <b>6/13/12</b>		REVISION DATE	
REV. NO.		DESCRIPTION/ECO NUMBER		APPVD DATE		- CAD DRAWING - MANUAL REVISIONS NOT PERMITTED		REV. NO.		SHEET <b>1 OF 1</b>	
RELEASED		6/13/12									