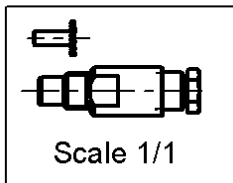
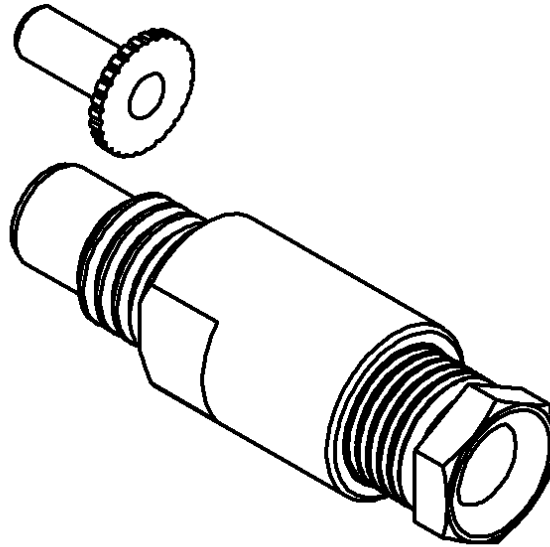
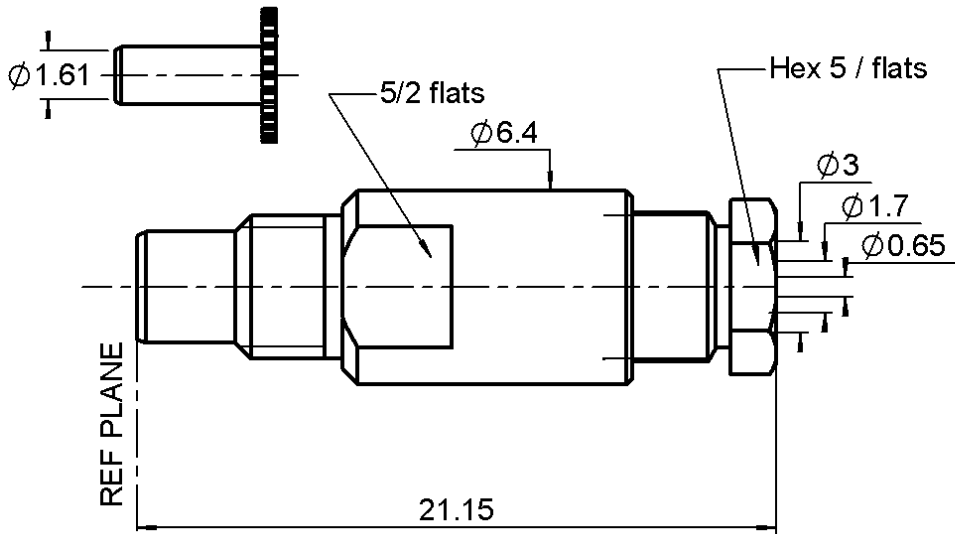


STRAIGHT JACK CLAMP TYPE

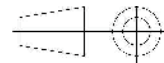
R112.205.000

CABLE 2.6/50+75 S

Series : SMC



All dimensions are in mm.



COMPONENTS	MATERIALS	PLATINGS (µm)
BODY	BRASS	GOLD 0.2 OVER NICKEL 2
CENTER CONTACT	BRASS	GOLD 1.3 OVER NICKEL 2
OUTER CONTACT	-	-
INSULATOR	PTFE	-
GASKET	CHLOROPRENE	-
OTHERS PARTS	-	-
-	-	-
-	-	-

Issue : 0424 S

In the effort to improve our products, we reserve the right to make changes judged to be necessary.



STRAIGHT JACK CLAMP TYPE

R112.205.000

CABLE 2.6/50+75 S

Series : SMC

PACKAGING

Standard	Unit	Other
1	-	Contact us

SPECIFICATION

CABLE ASSEMBLY

ELECTRICAL CHARACTERISTICS

Stripping	a	b	c	d	e	f
mm	2.50	0.00	4.50	4.50	1.20	0.00

Impedance		50 Ω
Frequency		0-10 GHz
VSWR	1.20 +	0.040 x F(GHz) Maxi
Insertion loss		0.125 √F(GHz) dB Maxi
RF leakage	- (62 - F(GHz)) dB mini
Voltage rating		335 Veff Maxi
Dielectric withstanding voltage		1000 Veff mini
Insulation resistance		1000 MΩ mini

Assembly instruction :

Recommended cable(s)

RG 316
RG 187
RG 188
RG 179
KX 22A

MECHANICAL CHARACTERISTICS

Cable retention

- pull off **110** N mini
- torque **NA** N.cm

Center contact retention		
Axial force – Mating end		10 N mini
Axial force – Opposite end		10 N mini
Torque		NA N.cm mini

TOOLING

Part Number	Description	Hexagon
.	.	.

Recommended torque		
Mating		NA N.cm
Panel nut		NA N.cm
Clamp nut		70 N.cm
A/F clamp nut		5.000 mm

OTHERS CHARACTERISTICS

Mating life		500 Cycles mini
Weight		2.230 g

ENVIRONMENTAL

Operating temperature		-55/+100 °C
Hermetic seal		NA Atm.cm3/s
Panel leakage		NA

Issue : 0424 S

In the effort to improve our products, we reserve the right to make changes judged to be necessary.

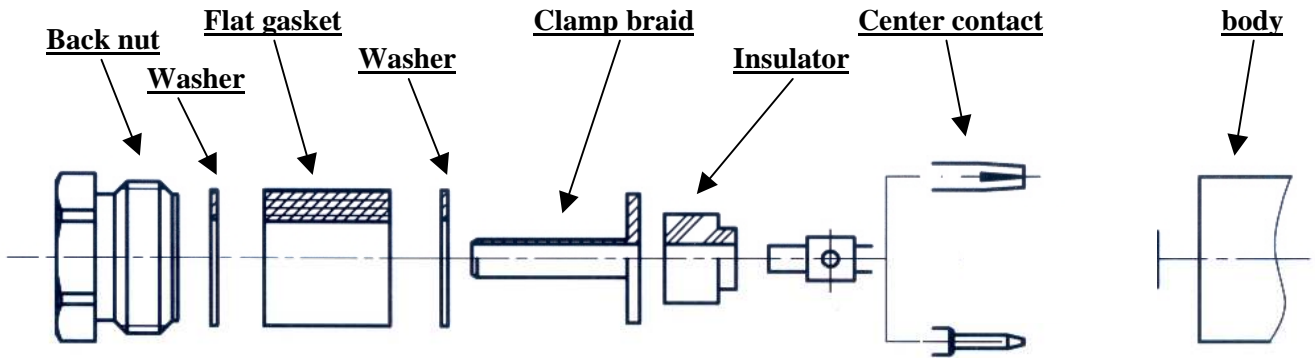


STRAIGHT JACK CLAMP TYPE

CABLE 2.6/50+75 S

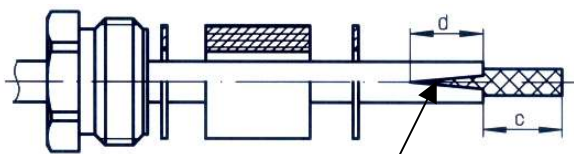
R112.205.000

Series : SMC



1

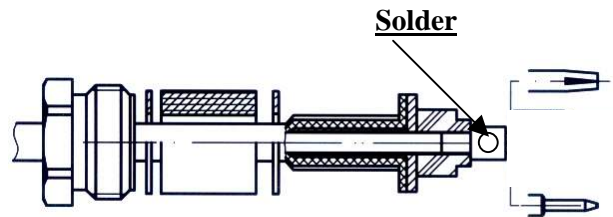
Slide the back nut, the first washer, the flat gasket, the second washer onto the cable.
Strip the cable.
Cut 2 slots in the jacket if necessary.



2 slots at 180°

3

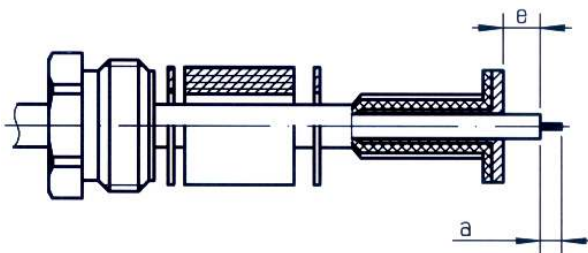
Slide the insulator.
Slide the center contact and solder.



Solder

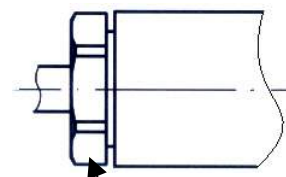
2

Slide the clamp braid sleeve.
Cut the braid flush with the clamp braid sleeve.
Strip off the dielectric.



4

Screw sub-assembly into the connector body with the adapted wrench.
Recommended coupling torque (see connector TDS).



Hex. : 5/flats

Issue : 0424 S

In the effort to improve our products, we reserve the right to make changes judged to be necessary.

