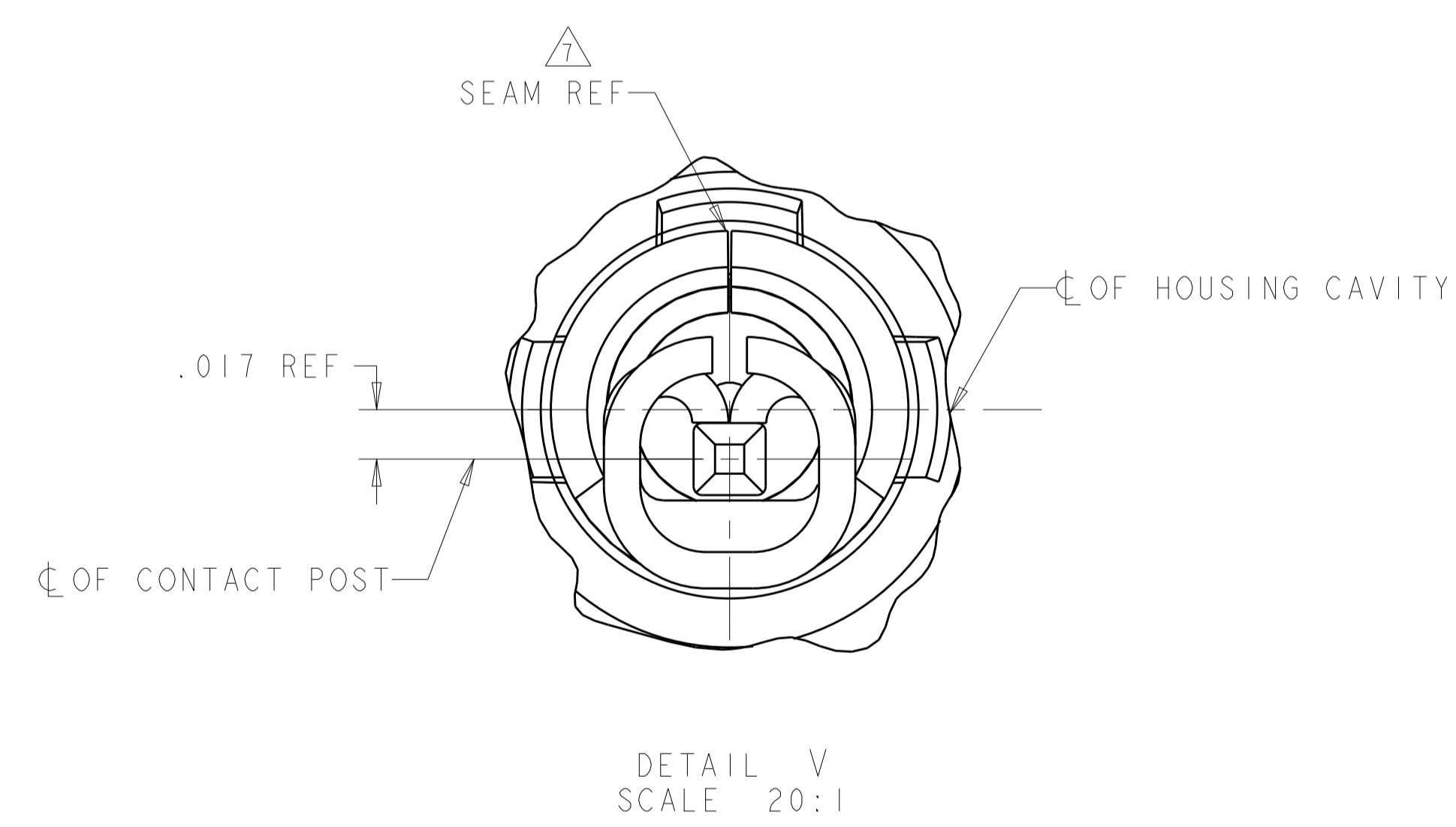
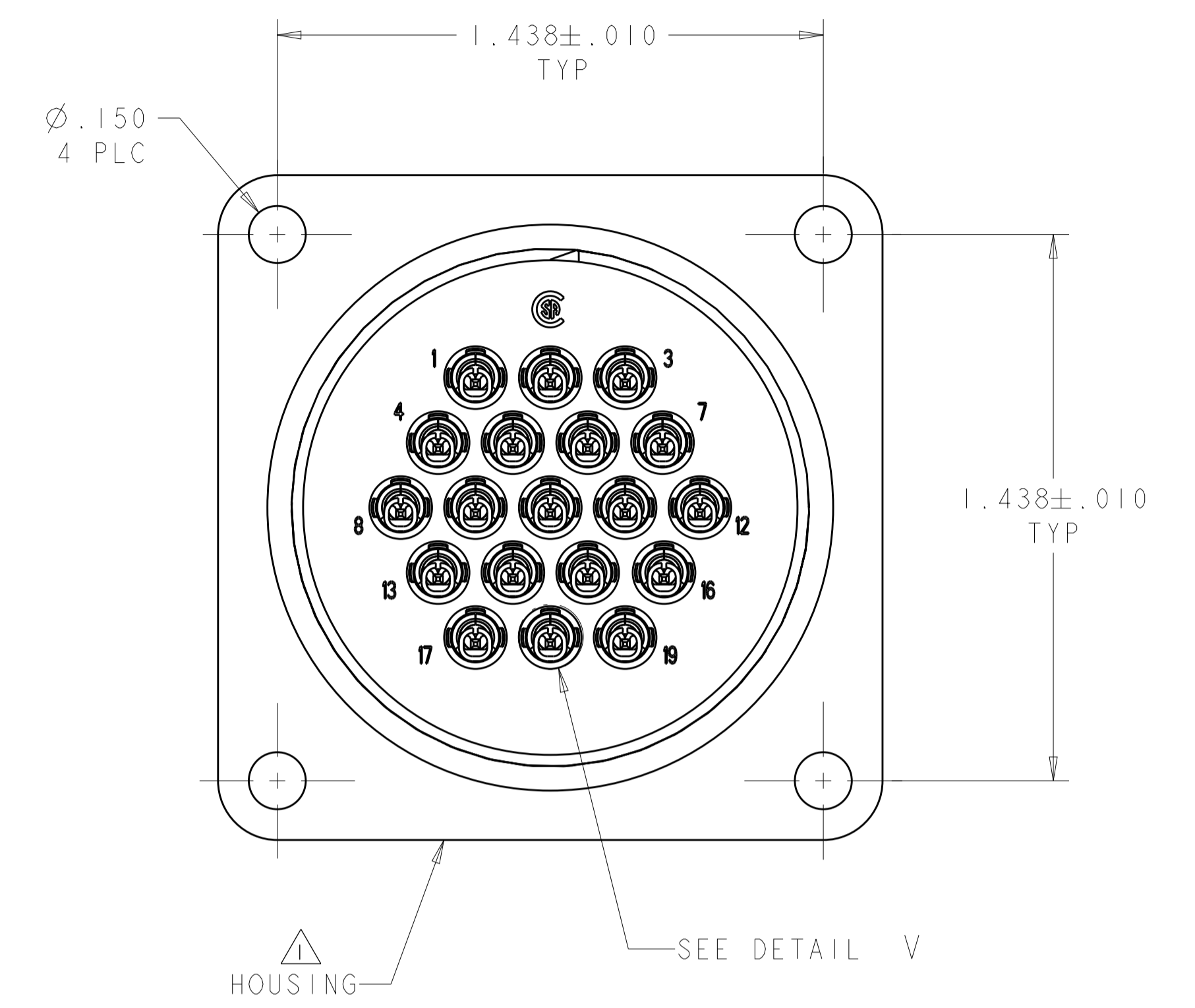
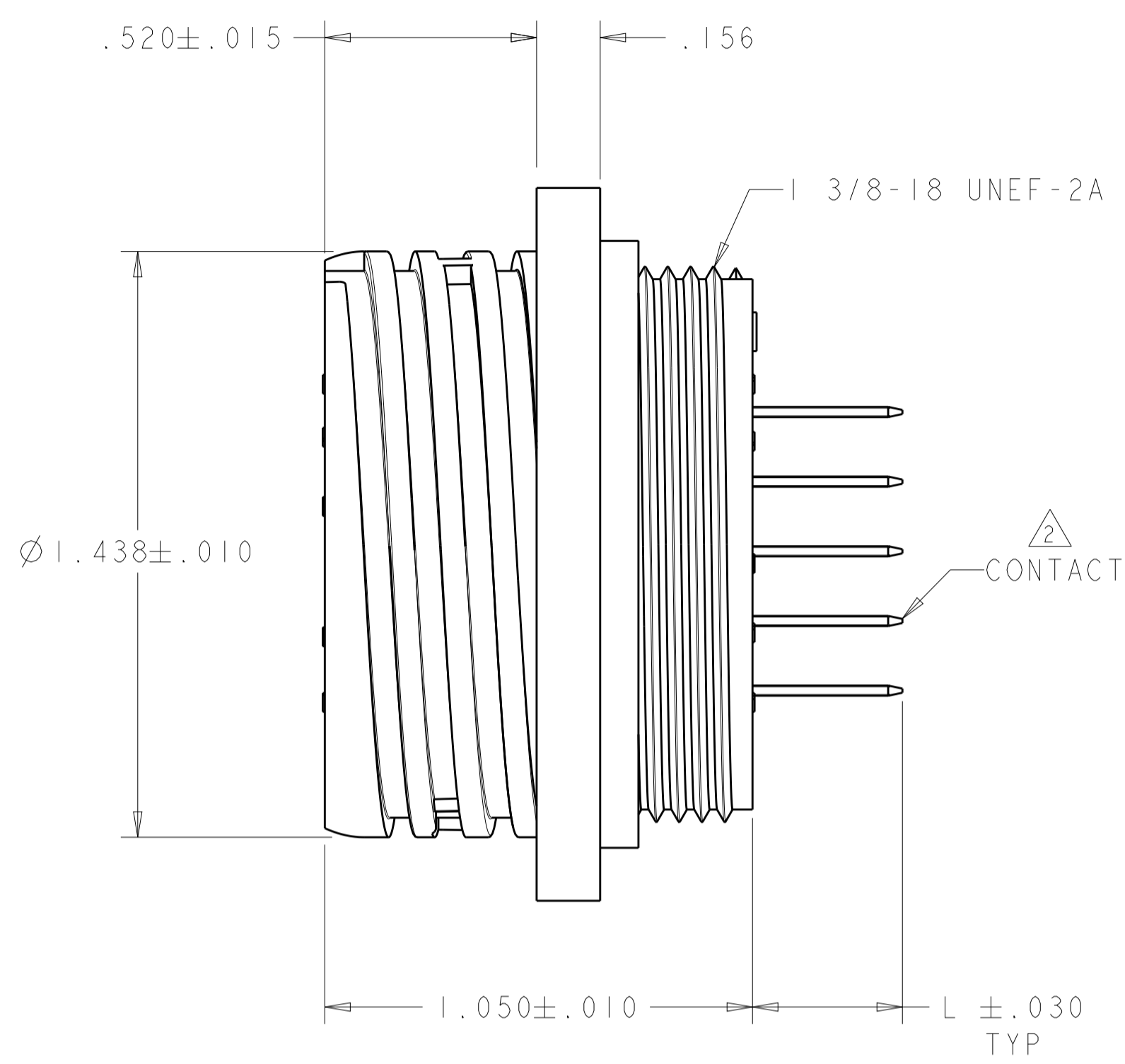
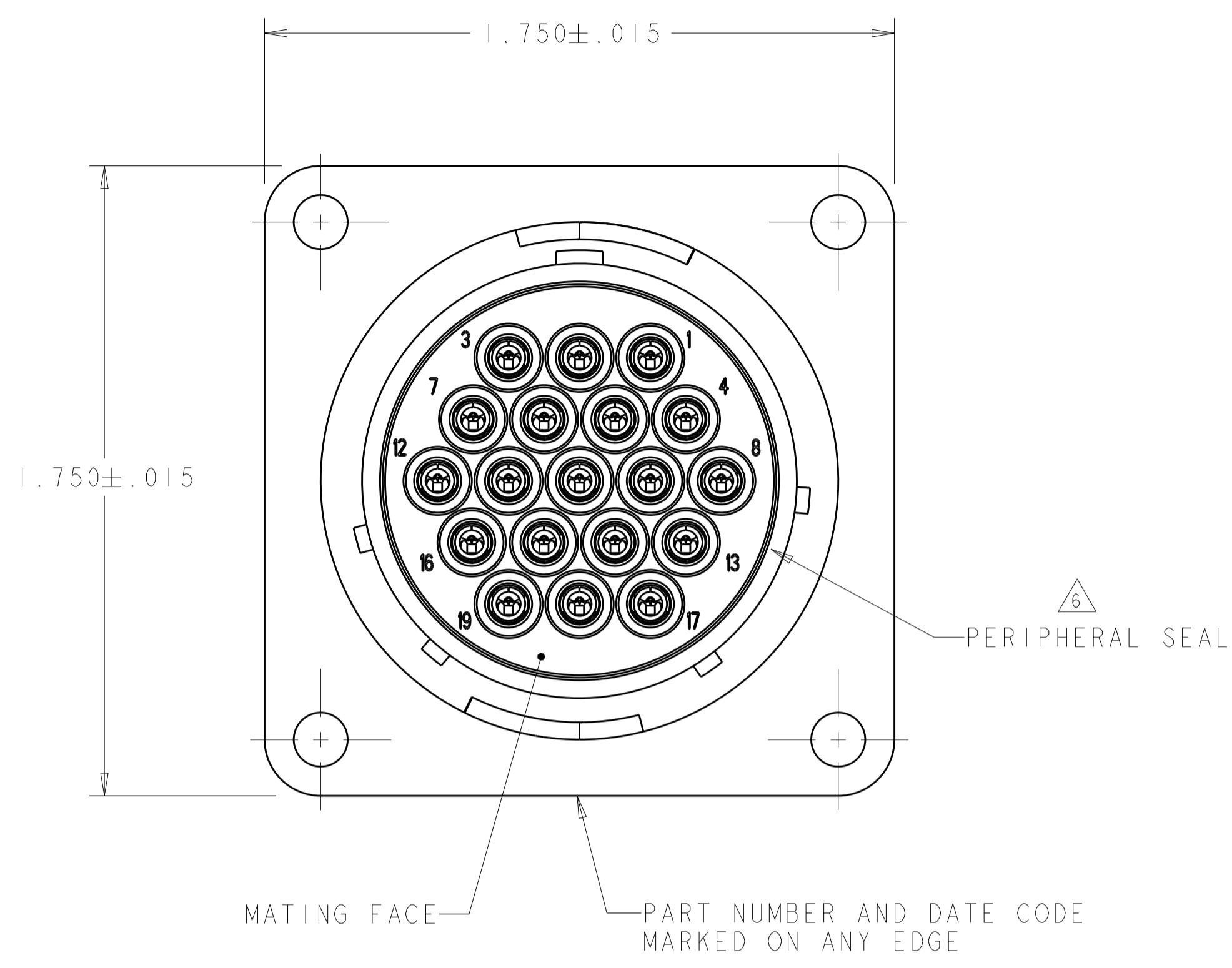


| REVISIONS | | | | |
|-----------|-----|---------------------------|-----------|-------|
| P. | LTN | DESCRIPTION | DATE | APVD |
| L2 | | REVISED PER ECO-16-004800 | 10SEP2016 | NK MZ |
| M | | REVISED PER ECO-16-018356 | 22MAR2017 | RS MZ |
| N | | REVISED PER ECO-19-004839 | 03APR2019 | RS MZ |
| P | | REVISED PER ECO-19-011232 | 08AUG2019 | RS MZ |



- ① HOUSING: NYLON, UL 94 V-0 RATED, COLOR: BLACK.
- ② CONTACT:
 BODY - BRASS, .000100 MIN TIN-LEAD OVER .000050 MIN NICKEL.
 POST - BRASS, .000100 MIN TIN-LEAD OVER .000050 MIN NICKEL.
- ③ CONTACT:
 BODY - BRASS, .000100 MIN TIN-LEAD OVER .000050 MIN NICKEL.
 POST - BRASS, .000030 MIN GOLD OVER .000050 MIN NICKEL.
- ④ CONTACT:
 BODY - BRASS, .000030 MIN GOLD OVER .000030 MIN NICKEL.
 POST - BRASS, .000100 MIN TIN-LEAD OVER .000050 MIN NICKEL.
- ⑤ CONTACT:
 BODY - BRASS, .000100 MIN TIN OVER .000050 MIN NICKEL.
 POST - BRASS, .000100 MIN TIN OVER .000050 MIN NICKEL.
- ⑥ PERIPHERAL SEAL - ELASTOMER, COLOR: BLACK.
- ⑦ .009 MAXIMUM CONTACT LEAD-IN SEAM GAP PERMISSIBLE ON MATING FACE END.
- ⑧ OBSOLETE PARTS: OBSOLETE CIS STREAMLINING PER D.RENAUD/D.SINISI

| | | | | | |
|----------|------|---|----------------|-----------------|----------------------------|
| | .368 | ⑤ | YES | ALL | 213827-8 |
| OBSOLETE | .368 | ⑤ | YES | 1-8, 10-19 | 213827-7 |
| OBSOLETE | .368 | ② | NO | ALL | 213827-6 |
| OBSOLETE | .119 | ④ | NO | ALL | 213827-5 |
| OBSOLETE | .368 | ③ | YES | ALL | 213827-4 |
| | .368 | ② | YES | 1-8, 10-19 | 213827-2 |
| OBSOLETE | .368 | ② | YES | ALL | 213827-1 |
| | L | | CONTACT FINISH | PERIPHERAL SEAL | SELECT LOADED IN POSITIONS |
| | | | | | PART NUMBER |

THIS DRAWING IS A CONTROLLED DOCUMENT. DWN: S.WELDON ZIMAY2003
 CHK: S.HEADER ZIMAY2003
 APVD: S.HEADER ZIMAY2003

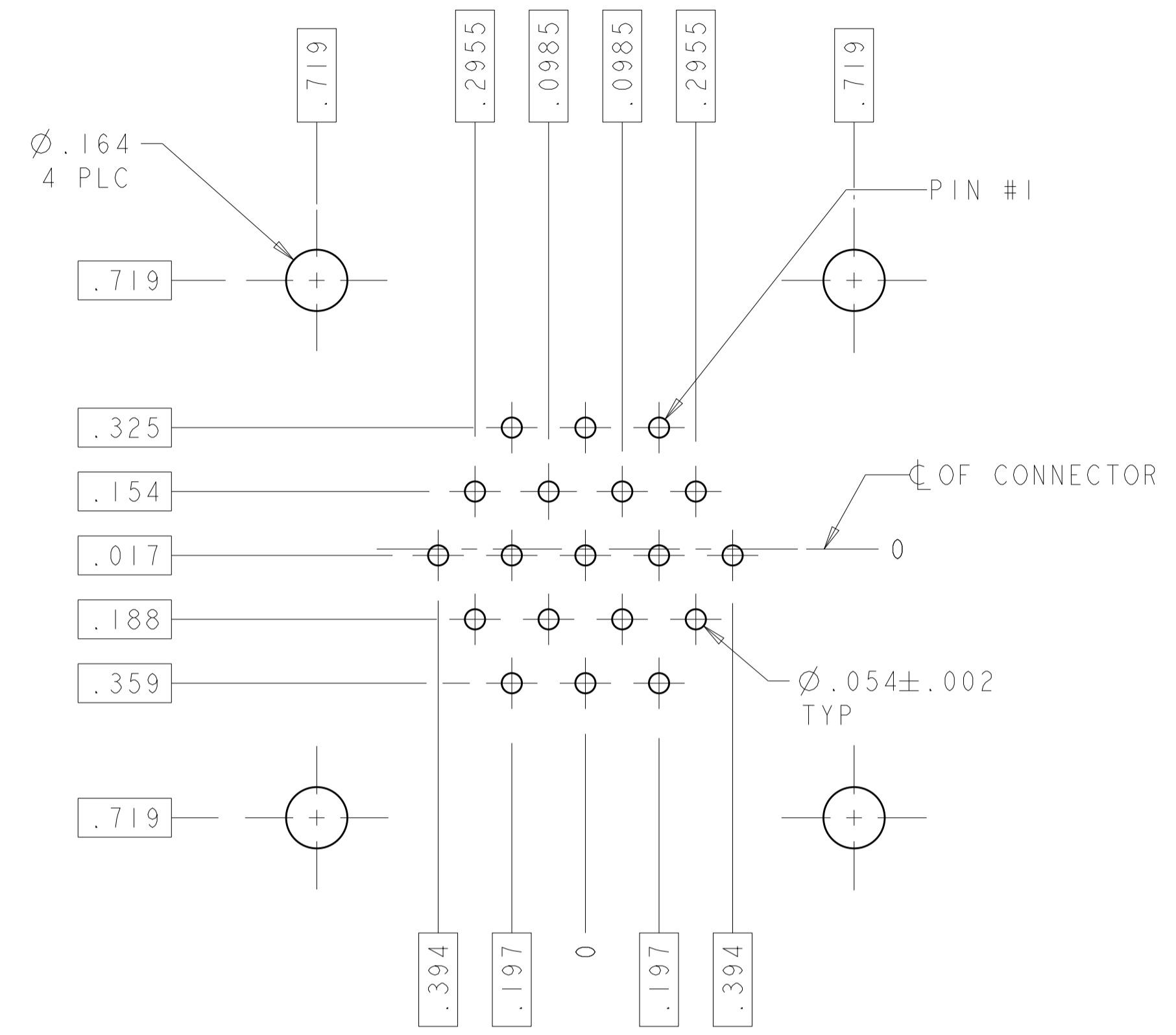
STE TE Connectivity

NAME: RECEPTACLE ASSEMBLY, POSTED, REVERSE SEX, SERIES 1, 23-19, CPC

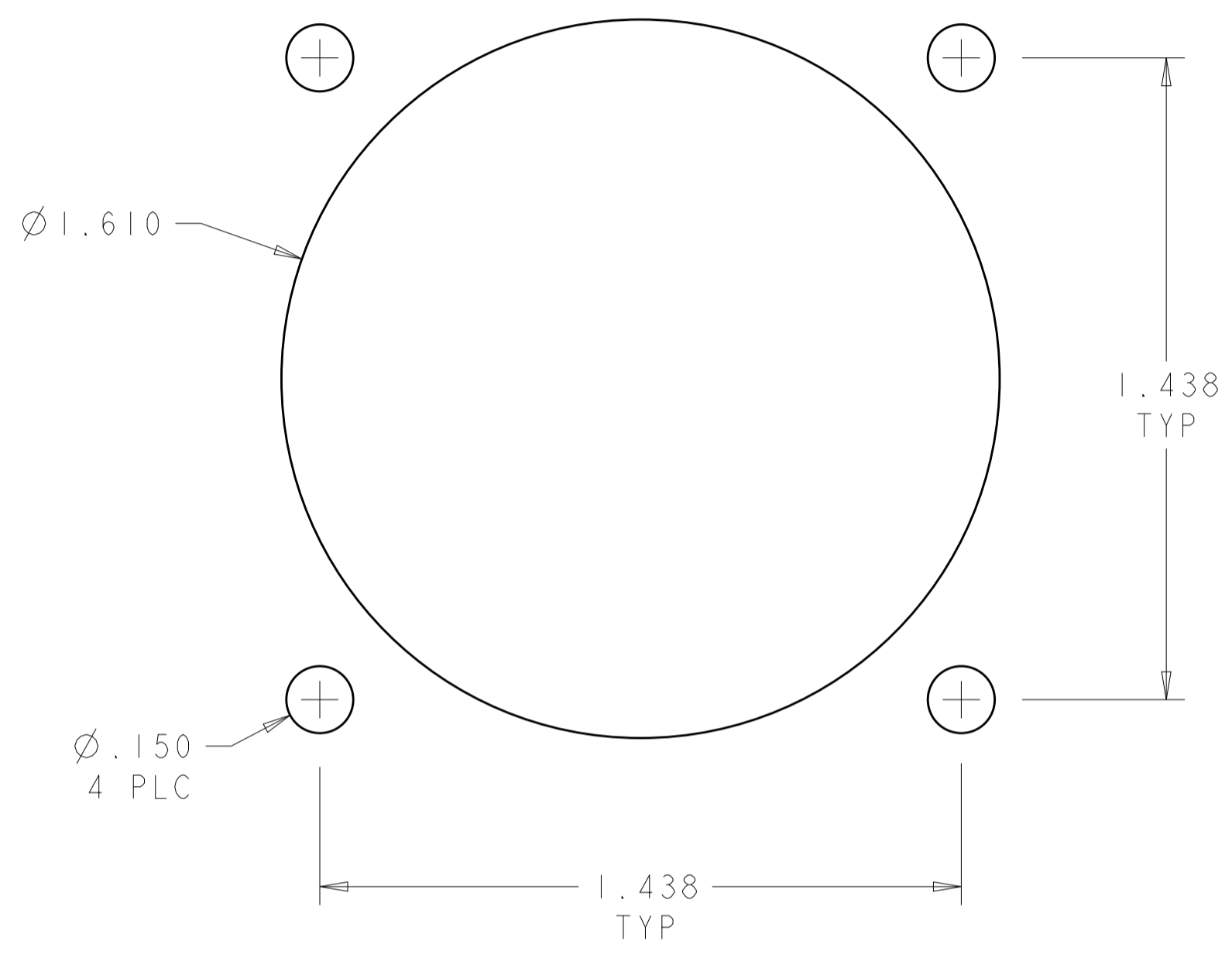
SIZE: A1 CAGE CODE: 114-10038 DRAWING NO: 108-10024
 WEIGHT: -

CUSTOMER DRAWING SCALE: 3:1 SHEET 1 OF 2 REV P

| REVISIONS | | | | |
|-----------|-----|-------------|------|------|
| P. | LTN | DESCRIPTION | DATE | APVD |
| - | - | SEE SHEET 1 | - | - |
| | | | | |
| | | | | |



RECOMMENDED PC BOARD LAYOUT



RECOMMENDED PC BOARD LAYOUT
 .125 MAX PANEL THICKNESS

| | | | |
|--|--|--------------------------|---|
| THIS DRAWING IS A CONTROLLED DOCUMENT. | | DWN S. WELDON ZIMAY2003 | TE Connectivity |
| DIMENSIONS: INCHES | | CHK S. HEADER ZIMAY2003 | |
| TOLERANCES UNLESS OTHERWISE SPECIFIED: 0 PLC ±.0 1 PLC ±0.0 2 PLC ±0.00 3 PLC ±0.010 4 PLC ±0.0000 ANGLES ±. | | APVD S. HEADER ZIMAY2003 | NAME RECEPTACLE ASSEMBLY, POSTED, REVERSE SEX, SERIES 1, 23-19, CPC |
| MATERIAL | | WEIGHT | SIZE CAGE CODE DRAWING NO. RESTRICTED TO |
| FINISH | | CUSTOMER DRAWING | A100779C=213827 |
| SCALE 3:1 | | SHEET 2 OF 2 | REV P |