

# XZCE03M125M

Adaptor, metal, tapped hole M20, for male connector, M12, 5 wire



## Main

Accessory / separate part designation	5-wire connector adaptor
Accessory / separate part category	Cabling accessories
Accessory / Separate Part Type	Connector adaptor
Cable composition	4 x 0.34 mm <sup>2</sup> + 1 x 0.5 mm <sup>2</sup>
Thread type	M20 x 1.5
Line Rated Current	4 A

## Complementary

Cable length	3.94 in (100 mm)
Total number of wires	5
Electrical connection	1 male connector M12 5 straight
Cable connector fixing	Screw-on
Body Material	Metal
Insulation resistance	> 1000000000 Ohm
Maximum resistance across terminals	5000 mOhm
[Ue] rated operational voltage	30 V AC 36 V DC
Net Weight	0.06 lb(US) (0.025 kg)

## Environment

IP Degree of Protection	IP67
Ambient Air Temperature for Operation	-13...176 °F (-25...80 °C)

## Ordering and shipping details




Category	22483-MACHINE CABLES
Discount Schedule	DS3
GTIN	3389110866148
Nbr. of units in pkg.	1
Package weight(Lbs)	0.92 oz (26.0 g)
Returnability	No
Country of origin	CZ

## Packing Units

Unit Type of Package 1	PCE
Package 1 Height	0.98 in (2.5 cm)
Package 1 width	1.97 in (5 cm)
Package 1 Length	4.72 in (12 cm)
Unit Type of Package 2	S01
Number of Units in Package 2	50
Package 2 Weight	3.60 lb(US) (1.634 kg)
Package 2 Height	5.91 in (15 cm)

Package 2 width	5.91 in (15 cm)
Package 2 Length	15.75 in (40 cm)

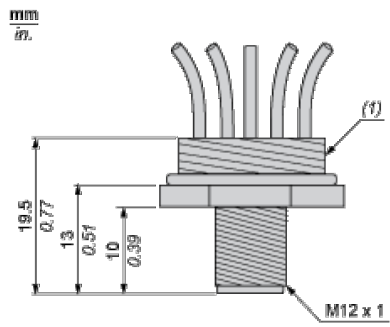
### Offer Sustainability

California proposition 65	WARNING: This product can expose you to chemicals including: Diisononyl phthalate (DINP), which is known to the State of California to cause cancer, and Di-isodecyl phthalate (DIDP), which is known to the State of California to cause birth defects or other reproductive harm. For more information go to <a href="http://www.P65Warnings.ca.gov">www.P65Warnings.ca.gov</a>
REACH Regulation	 <a href="#">REACH Declaration</a>
EU RoHS Directive	Pro-active compliance (Product out of EU RoHS legal scope)  <a href="#">EU RoHS Declaration</a>
Mercury free	Yes
RoHS exemption information	 <a href="#">Yes</a>

### Contractual warranty

Warranty	18 months
----------	-----------

Dimensions

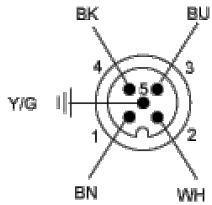


(1) Thread size M20 x 1.5

---

## Connections and Schemes

---



BN : Brown  
BK : Black  
BU : Blue  
Y/G : Yellow / Green  
WH : White