

# Mounting flange

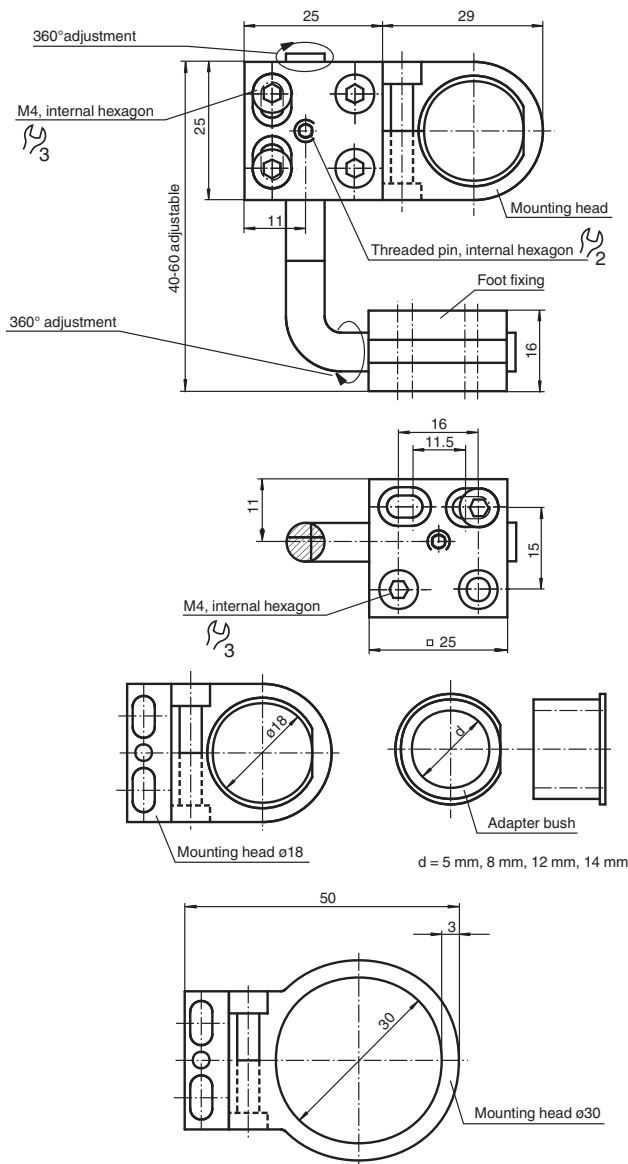
## BF 5-30



- Secure fixing
- Simple mounting
- Mounting head and foot fixing may be independently rotated through 360°
- Robust construction

Universal mounting bracket for cylindrical sensors with a diameter of 5 ... 30 mm

### Dimensions



Release date: 2020-06-22 Date of issue: 2020-06-29 Filename: 091198\_eng.pdf

Refer to "General Notes Relating to Pepperl+Fuchs Product Information".

Pepperl+Fuchs Group  
www.pepperl-fuchs.com

USA: +1 330 486 0001  
fa-info@us.pepperl-fuchs.com

Germany: +49 621 776 1111  
fa-info@de.pepperl-fuchs.com

Singapore: +65 6779 9091  
fa-info@sg.pepperl-fuchs.com

**PF** PEPPERL+FUCHS

**Technical Data****Ambient conditions**

Ambient temperature -25 ... 85 °C (-13 ... 185 °F)

**Mechanical specifications**

Note Also suited for threaded photodetectors in series KT10, GLV12, VL18, 18GM60, CP18 and GLV30.

## Scope of Delivery

The mounting adapter is supplied with 2 mounting heads (ø18 mm, ø30 mm) and 4 adapter bushes (ø5 mm, ø8 mm, ø12 mm, ø14 mm).