

CTGSR105BF Series

From 10 μ H to 470 μ H



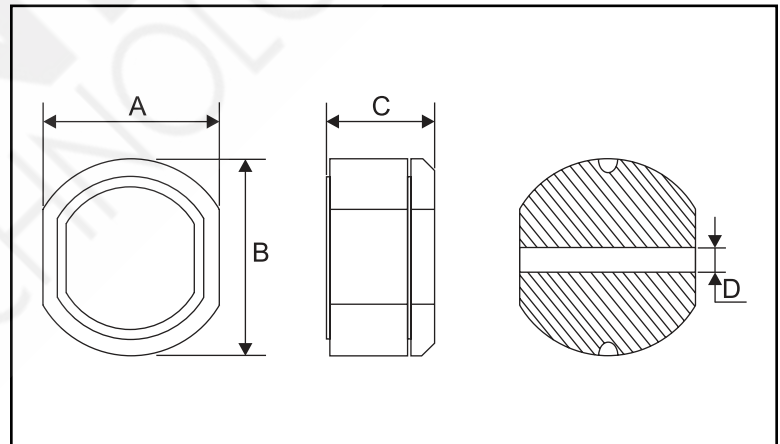
SPECIFICATIONS

Parts are available in $\pm 20\%$ inductance tolerance only.

Part Number	Inductance (μ H)	L Test Freq. (Hz)	DCR Max. (Ω)	Rated DC (A)
CTGSR105BF-100M	10	2.52M	0.06	2.06
CTGSR105BF-120M	12	2.52M	0.07	1.94
CTGSR105BF-150M	15	2.52M	0.07	1.72
CTGSR105BF-180M	18	2.52M	0.08	1.58
CTGSR105BF-220M	22	2.52M	0.08	1.42
CTGSR105BF-270M	27	2.52M	0.10	1.32
CTGSR105BF-330M	33	2.52M	0.11	1.16
CTGSR105BF-390M	39	2.52M	0.12	1.10
CTGSR105BF-470M	47	2.52M	0.14	1.00
CTGSR105BF-560M	56	2.52M	0.19	0.93
CTGSR105BF-680M	68	2.52M	0.21	0.85
CTGSR105BF-820M	82	2.52M	0.28	0.79
CTGSR105BF-101M	100	1.00k	0.34	0.72
CTGSR105BF-121M	120	1.00k	0.37	0.63
CTGSR105BF-151M	150	1.00k	0.51	0.55
CTGSR105BF-181M	180	1.00k	0.57	0.50
CTGSR105BF-221M	220	1.00k	0.78	0.47
CTGSR105BF-271M	270	1.00k	0.87	0.41
CTGSR105BF-331M	330	1.00k	1.20	0.37
CTGSR105BF-391M	390	1.00k	1.34	0.35
CTGSR105BF-471M	470	1.00k	1.50	0.33

PHYSICAL DIMENSIONS

Size	A Max.	B Max.	C Max.	D Ref.
mm	9.0 \pm 0.5	10.0 \pm 0.05	5.5 \pm 0.5	2.5
inches	0.35 \pm 0.02	0.39 \pm 0.02	0.22 \pm 0.02	0.1



CHARACTERISTICS

Description: SMD shielded power inductor

Applications: Power supplies for OA equipment, LCD televisions, PC notebooks, portable communication equipment, DC/DC converters, etc.

Operating Temperature: -30°C to +100°C

Inductance Tolerance: M = $\pm 20\%$

Testing: Inductance is tested on a HP4285A at specified frequency

Packaging: Tape & Reel, 500 parts per reel

Marking: Parts are marked with inductance code

Miscellaneous: RoHS Compliant

Additional Information: Additional electrical & physical information available upon request

Samples available. See website for ordering information.