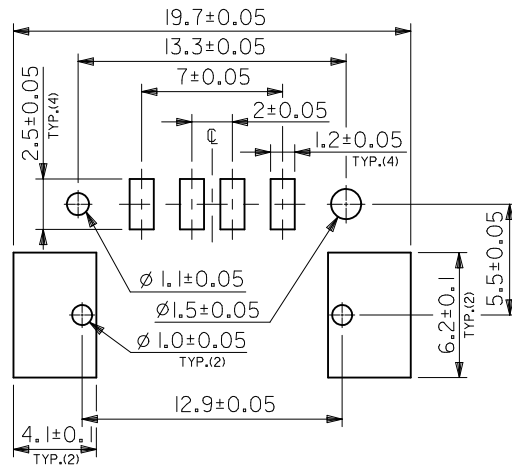
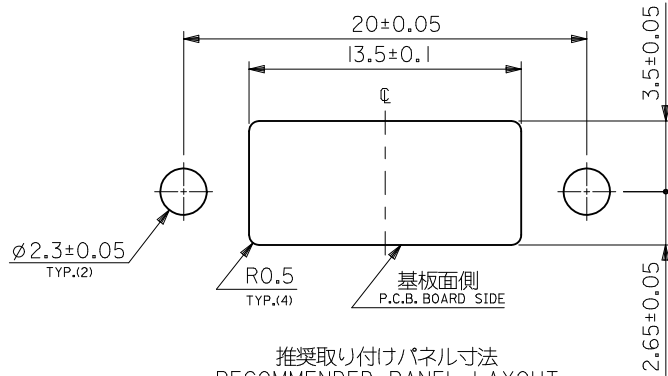


REVISED EC NO: J2011-0208 DRWN: TENAGASE 2010/08/06 CHKD: CHIKANO 2010/08/06 APPR: MYAGI 2010/09/03	GENERAL TOLERANCES (UNLESS SPECIFIED)		DIMENSION STYLE MM ONLY		SCALE ---	DESIGN UNITS METRIC	THIRD ANGLE PROJECTION		
	10 UNDER	±0.2	DRAWN BY MSASAO	DATE 1997/12/16	TITLE USB I/O CONN. (SIDE FLANGE REVERSE SMT TYPE)				
	10 OVER 30 UNDER	±0.25	CHECKED BY MSASAO		MATERIAL NO. 54366-0412				
	30 OVER	±0.3	APPROVED BY MSASAO		DOCUMENT NO. SD-54366-005		SHEET NO. 1 OF 2		
ANGULAR ±3 °		DRAFT WHERE APPLICABLE MUST REMAIN WITHIN DIMENSIONS		THIS DRAWING CONTAINS INFORMATION THAT IS PROPRIETARY TO MOLEX INCORPORATED AND SHOULD NOT BE USED WITHOUT WRITTEN PERMISSION					



推奨基板寸法
RECOMMENDED PCB LAYOUT



推奨取り付けパネル寸法
RECOMMENDED PANEL LAYOUT

注記
NOTES:

- 材質
MATERIAL
ハウジング: PA(ホリアミド)、ガラス充填
白色、UL94V-0
HOUSING : PA(POLYNONAMETHYLENE TEREPHTHALAMIDE)
,GLASS FILLED,WHITE,UL94V-0
ターミナル: 燐青銅 (t=0.3)
TERMINAL : PHOSHOR BRONZE(t=0.3)
シェル: 黄銅 (t=0.4)
SHELL : BRASS(t=0.4)
- メッキ仕様
PLATING
ターミナル
TERMINAL
接点部: 金メッキ 最小0.75マイクロメートル
CONTACT AREA: GOLD 0.75MICROMETER MINIMUM
半田付け部: 半田メッキ 最小3マイクロメートル
SOLDER TAIL AREA: TIN-LEAD 3MICROMETER MINIMUM
下地メッキ: ニッケルメッキ 最小1.25マイクロメートル
UNDER PLATING: NICKEL 1.25MICROMETER MINIMUM
シェル: 半田メッキ 最小2.5マイクロメートル
SHELL: TIN-LEAD 2.5MICROMETER MINIMUM
下地メッキ: ニッケルメッキ 最小2マイクロメートル
UNDER PLATING: NICKEL 2MICROMETER MINIMUM
- テール平坦度は、最大0.1ミリメートル
TAIL COPLANARITY TO BE 0.1MMAXIMUM

REVISED EC NO: J2011-0208 DRWN: TENAGASE 2010/08/06 CHKD: CHIKANO 2010/08/06 APPR: MYAGI 2010/09/03	DESCRIPTION REV	GENERAL TOLERANCES (UNLESS SPECIFIED)		DIMENSION STYLE MM ONLY	SCALE ---	DESIGN UNITS METRIC	THIRD ANGLE PROJECTION		
		10 UNDER	±0.2	DRAWN BY	DATE	TITLE			
		10 OVER 30 UNDER	±0.25	CHECKED BY	DATE	USB I/O CONN. (SIDE FLANGE REVERSE SMT TYPE)			
		30 OVER	±0.3	MSASAO	1997/12/16				
ANGULAR ±3 ° DRAFT WHERE APPLICABLE MUST REMAIN WITHIN DIMENSIONS		MATERIAL NO. 54366-0412	DOCUMENT NO. SD-54366-005		MOLEX INCORPORATED				
		SIZE A3	THIS DRAWING CONTAINS INFORMATION THAT IS PROPRIETARY TO MOLEX INCORPORATED AND SHOULD NOT BE USED WITHOUT WRITTEN PERMISSION						