

10 9 8 7 6 5 4 3 2 1

F

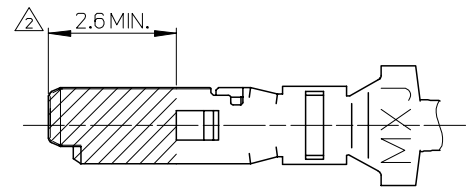
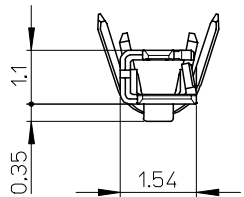
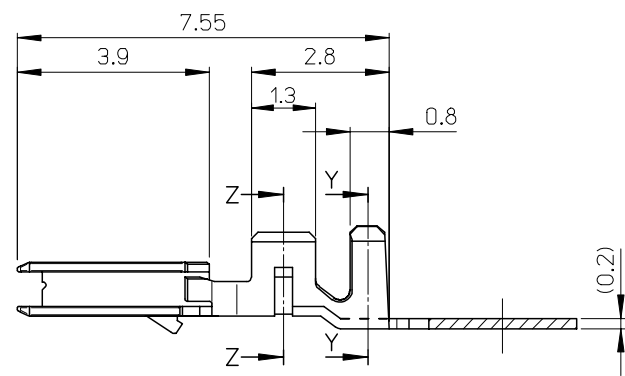
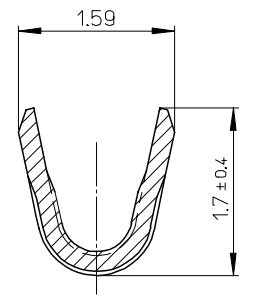
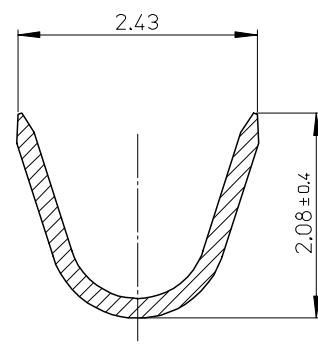
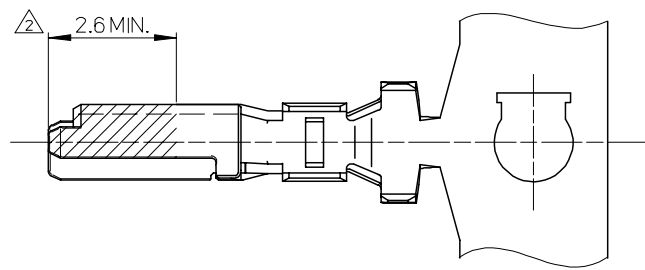
E

D

C

B

A



SECTION Y-Y  
(SCALE 20-1)

SECTION Z-Z  
(SCALE 20-1)

NOTES

- 適合ハウジング : 502439-\*\*00  
APPLICABLE HOUSING : 502439-\*\*00
- 図示の斜線部の範囲は、接点部のため、傷、打痕、汚れなどを付けないようにして下さい。  
PLEASE DON'T DAMAGE, DON'T DENT, AND DON'T MAKE IT DIRTY, BECAUSE THE RANGE IN THE SHADED PORTION SHOWN IN FIGURE IS THE CONTACT AREA.

φ0.9-1.5mm	AWG#22-26	502438-0100	バラ状 LOSE
		502438-0000	連鎖状 CHAIN
絶縁被覆外径範囲 INS. RANGE	適用電線範囲 WIRE RANGE	製品番号 MATERIAL NO.	端子形状 FORM

部品 PART	材質 MATERIAL	
ターミナル TERMINAL	銅合金 COPPER ALLOY	
	錫めっき : 0.4 micro-meter MIN.	リフロー処理 (前めっき) REFLOW TREATMENT (PRE-PLATED)
	ニッケルめっき (下地) : 0.1 micro-meter MIN.	リフロー処理 (前めっき) REFLOW TREATMENT (PRE-PLATED)

REVISED EC NO: J2008-0461 DRWNG SETO CHKD: KASAKAWA APPR: YOITO 2007/08/29	GENERAL TOLERANCES (UNLESS SPECIFIED)		DIMENSION STYLE MM ONLY		SCALE 10:1	DESIGN UNITS METRIC	THIRD ANGLE PROJECTION	
	10 UNDER	± 0.2	DRAWN BY NITO	DATE 2006/12/12	TITLE 2.0 W/B CONN. SINGLE PLUG TERMINAL -LEAD FREE-			
	10 OVER 30 UNDER	± 0.25	CHECKED BY KASAKAWA	DATE 2006/12/12	MOLEX INCORPORATED			
	30 OVER	± 0.3	APPROVED BY YOITO	DATE 2006/12/12	MATERIAL NO.	DOCUMENT NO. SD-502438-001	SHEET NO. 1 OF 1	
	ANGULAR	± 3 °	SEE TABLE					
DRAFT WHERE APPLICABLE MUST REMAIN WITHIN DIMENSIONS		THIS DRAWING CONTAINS INFORMATION THAT IS PROPRIETARY TO MOLEX INCORPORATED AND SHOULD NOT BE USED WITHOUT WRITTEN PERMISSION						