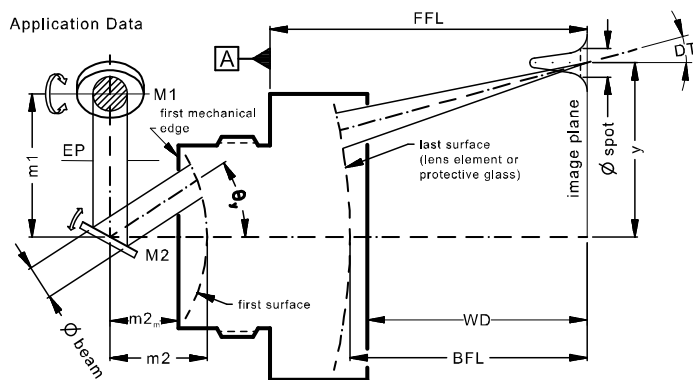


LINOS F-Theta-Ronar Lens

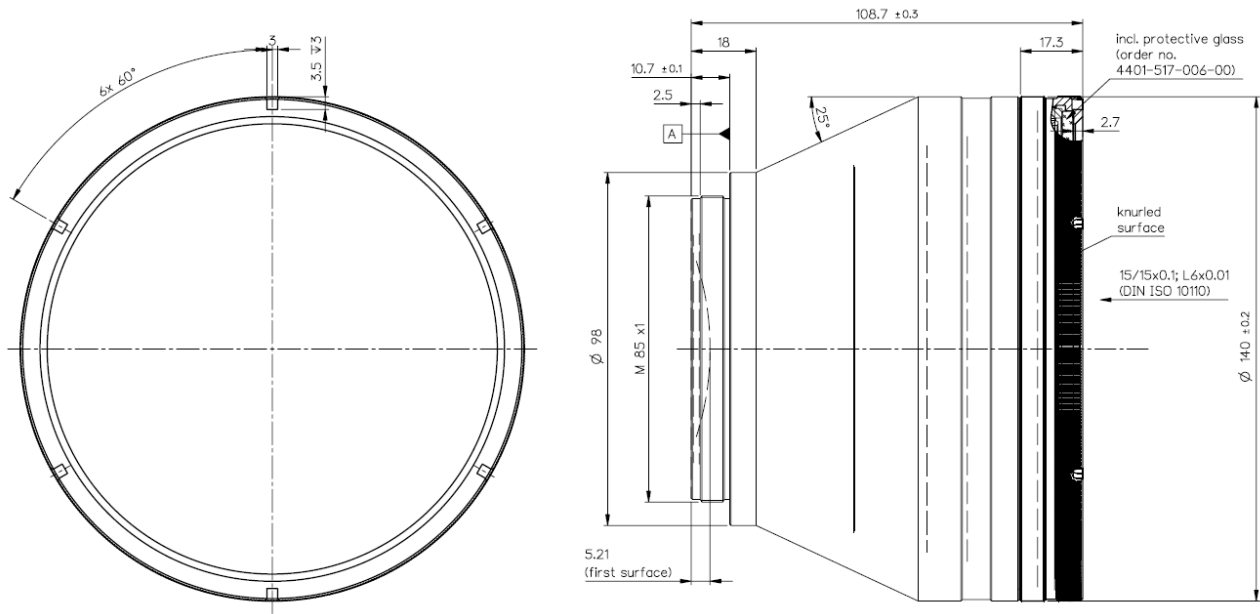
$f = 167\text{mm}$, 515-540nm, telecentric, fused silica, low absorption



Part number	4401-517-000-26		
Design wavelength	λ	(nm)	532
Effective focal length	EFL	(mm)	166.1
Back focal length	BFL	(mm)	218.2
Working distance	WD	(mm)	215.5
Flange focal length	FFL	(mm)	313.4
Beam diameter 1/e ² truncated	$\varnothing_{\text{beam}}$	(mm)	14.0
Recommended mirror distance m1	m1	(mm)	17.0
Recommended mirror distance m2	m2	(mm)	33.0
Recommended mirror distance m2 _{mechanical}	m2 _m	(mm)	27.8
Scan angle	$\pm\theta_{x,y}$	(°)	15.4
Scan area (edge length of scan field)	2x * 2y	(mm ²)	86 x 86
Spot diameter	$\varnothing_{\text{spot}}$	(μm)	12
Telecentric error (maximum deviation)	DT	(°)	3.4
Total transmission @ 515 - 540nm	T	(%)	> 96
Group delay dispersion at λ	GDD	(fs ²)	4879
LIDT coating @ 532nm, 8ns, 100Hz		(J/cm ²)	20
LIDT coating @ 515nm, 204fs, 50kHz		(J/cm ²)	0.6
Focused back reflex positions from first surface		(mm)	3.3; 4.5; 6.1; 10.1; 14.7; 15.1; 40.0
Weight		(g)	2250
Protective glass	PG		4401-517-006-00

Optical parameters calculated for a 1-mirror system
 Subject to technical change

Mechanical drawing

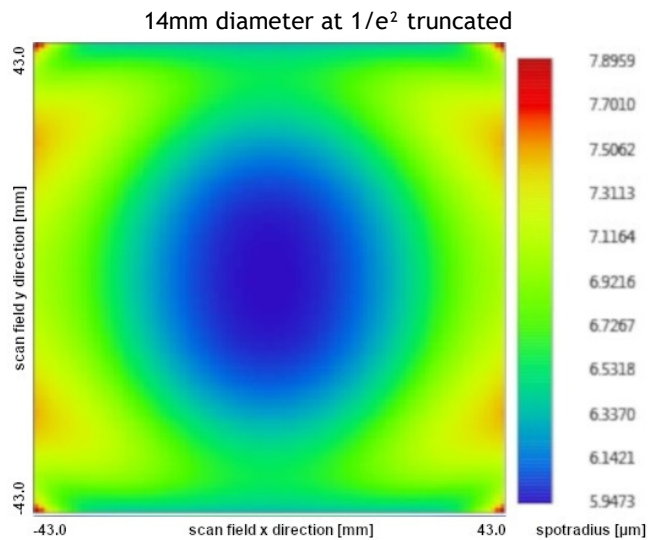


Dimensions without tolerances are nominal values and illustration not to scale

Spot variation over scanfield

Spot radius in μm at $1/e^2$ level for a Gaussian laser beam ($M^2=1$)

field size and mirror distances as given above for a 2 mirror scan system, vignetting $\leq 1\%$



Notes



For technical explanations, see our homepage.

In a 1-mirror system, the entrance pupil (EP) is the position of the scan mirror. In a 2-mirror system, it is the point where the scan mirrors should be placed around symmetrically to reach specified performance.