

MATERIALS AND FINISHES

BODY: ZINC ALLOY  
PLATED NICKEL

CENTER CONTACT: PHOSPHOR BRONZE  
PLATED GOLD

INSULATOR: PBT

HOUSING: LCP  
COLOR NATURAL

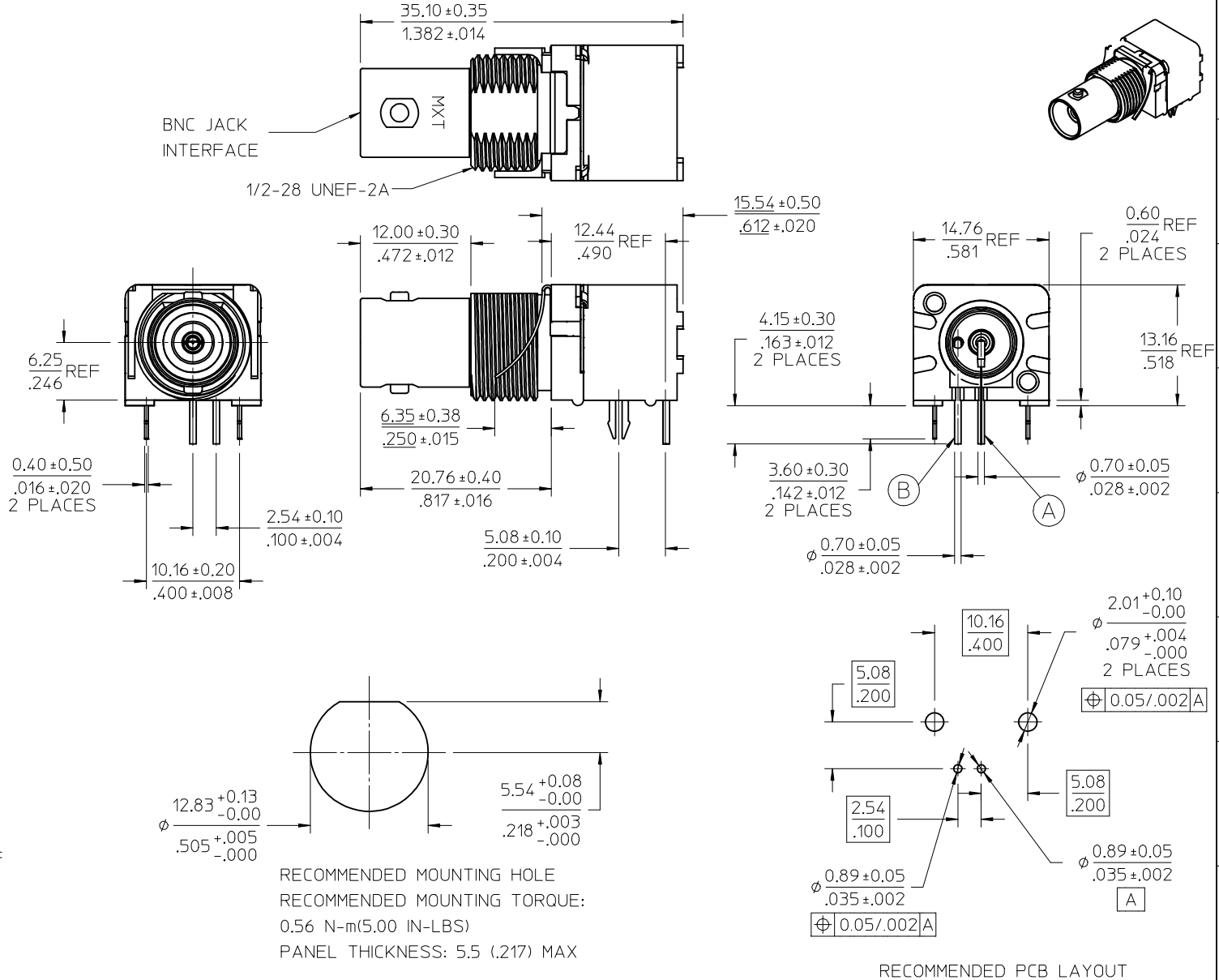
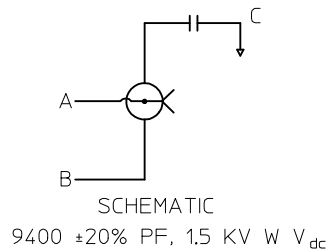
SOLDER TAIL: COPPER OVER STEEL WIRE  
PLATED TIN

FRONT/REAR CLIP: PHOSPHOR BRONZE  
PLATED NICKEL

CHIP CAPACITOR: MULTILAYER CERAMIC

BOARD LOCK CLIP: PHOSPHOR BRONZE  
PLATED TIN

PACKAGING: BY TRAY



PART # 73100-0166

PS-89675-1030

ELECTRO/MECH PERFORM.

SPECIFICATION

DESCRIPTION

CHG: ADD PACKAGING  
PER RF15-E224  
EC NO: URF2015-0673  
DRW/CWE102 2015/05/28  
CHKD:  
APPR: YCHENG 2015/06/04

QUALITY SYMBOLS  
▽=0  
▽=0

GENERAL TOLERANCES (UNLESS SPECIFIED)

	mm	INCH
4 PLACES	± .005	± .0005
3 PLACES	± .003	± .0003
2 PLACES	± .002	± .0002
1 PLACE	± .001	± .0001

ANGULAR ± 2°

DRAFT WHERE APPLICABLE  
MUST REMAIN  
WITHIN DIMENSIONS

DIMENSION STYLE  
MM/IN

DRAWN BY	DATE
JWIENER	2013/05/08
CHECKED BY	DATE
SSS	2013/05/08
APPROVED BY	DATE
JWIENER	2013/05/09

MATERIAL NO.  
SEE TABLE

SCALE  
DESIGN UNITS  
METRIC

THIRD ANGLE PROJECTION

TITLE  
BNC JACK R/A PCB TH  
FILTER 50 OHM HIGH TEMP  
BNC-J/RA/PCB EWR-1088

MOLEX INCORPORATED

DOCUMENT NO.  
SD-73100-0166

SHEET NO.  
1 OF 1

THIS DRAWING CONTAINS INFORMATION THAT IS PROPRIETARY TO MOLEX INCORPORATED AND SHOULD NOT BE USED WITHOUT WRITTEN PERMISSION