



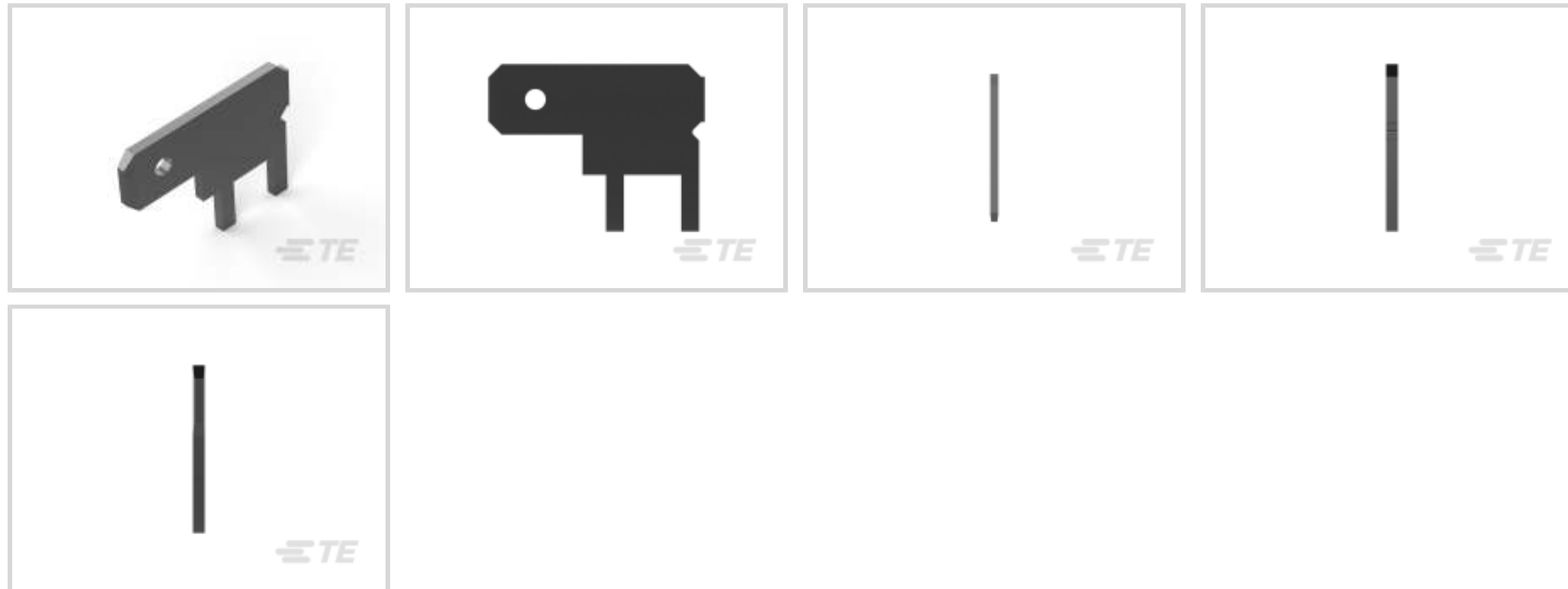
FASTON | FASTON 187

TE Internal #: 1217062-1

PCB Terminals, Tab, Mating Tab Width .187 in [4.75 mm], PCB Hole Diameter 1.32 mm [.052 in], Through Hole - Solder, Tin Plating, Nickel, FASTON 187

[View on TE.com >](#)

Terminals & Splices > PCB Terminals



PCB Terminal Type: **Tab**

PCB Thickness (Recommended): 1.57 mm [.062 in]

Mating Tab Width: 4.75 mm [.187 in]

Mating Tab Thickness: .51 mm [.02 in]

PCB Hole Diameter: 1.32 mm [.052 in]

Features

Configuration Features

Connection Capacity	Single
---------------------	--------

Contact Features

PCB Contact Termination Area Plating Material Thickness	3.81 μm[150 μin]
Contact Underplating Material Thickness	1.27 μm[50 μin]
Contact Mating Area Plating Material Thickness	3.81 μm[150 μin]
PCB Terminal Type	Tab
Mating Tab Width	4.75 mm[.187 in]
Mating Tab Thickness	.51 mm[.02 in]
Terminal Plating Material	Tin
Contact Underplating Material	Nickel
Terminal Size	4.75
Terminal Orientation	Right Angle

Termination Features

Termination Method to Printed Circuit Board	Through Hole - Solder
---	-----------------------



Product Terminates To

Printed Circuit Board

Mechanical Attachment

Wire Insulation Support

Without

Dimensions

Extension Below Board

3.81 mm[.15 in]

Terminal Material Thickness

.51 mm[.02 in]

PCB Thickness (Recommended)

1.57 mm[.062 in]

PCB Hole Diameter

1.32 mm[.052 in]

Profile Height from PCB

7.47 mm[.298 in]

Usage Conditions

Insulation Option

Uninsulated

Operating Temperature Range

-30 – 110 °C[-22 – 230 °F]

Industry Standards

Agency/Standard

CSA, UL

Packaging Features

Packaging Quantity

10000

Packaging Method

Reel

Product Compliance

For compliance documentation, visit the product page on [TE.com](https://www.te.com)>

EU RoHS Directive 2011/65/EU

Compliant

EU ELV Directive 2000/53/EC

Compliant

China RoHS 2 Directive MIIT Order No 32, 2016

No Restricted Materials Above Threshold

EU REACH Regulation (EC) No. 1907/2006

Current ECHA Candidate List: JUNE 2023 (235)
 Candidate List Declared Against: JAN 2023 (233)
 Does not contain REACH SVHC

Halogen Content

Low Halogen - Br, Cl, F, I < 900 ppm per homogenous material. Also BFR/CFR/PVC Free

Solder Process Capability

Not applicable for solder process capability

Product Compliance Disclaimer

This information is provided based on reasonable inquiry of our suppliers and represents our current actual knowledge based on the information they provided. This information is subject to change. The part numbers that TE has identified as EU RoHS compliant have a maximum concentration of 0.1% by weight in homogenous materials for lead, hexavalent chromium, mercury, PBB, PBDE, DBP, BBP, DEHP, DIBP, and 0.01% for cadmium, or qualify for an exemption to these limits as defined in the Annexes of Directive 2011/65/EU (RoHS2). Finished electrical and electronic equipment products will be CE marked as required by Directive 2011/65/EU. Components may not be CE marked. Additionally, the part numbers that TE has identified as EU ELV compliant have a maximum concentration of 0.1% by weight in homogenous materials for lead, hexavalent chromium, and mercury, and 0.01% for cadmium, or qualify for an exemption to these limits as defined in the Annexes of Directive 2000/53/EC (ELV). Regarding the REACH Regulation, the information TE provides on SVHC in articles for this part number is based on the latest European Chemicals Agency (ECHA) 'Guidance on requirements for substances in articles' posted at this URL: <https://echa.europa.eu/guidance-documents/guidance-on-reach>

Compatible Parts



TE Part # 1217332-1
187 FASTON,PCB TAB,TCBR



TE Part # 63860-1
187 FASTON TAB TPBR



TE Part # 62395-1
110 FASTON TAB TPBR



TE Part # 63951-1
250 FASTON TAB TPBR



TE Part # 62221-1
187 FASTON TAB TPBR



TE Part # 1217133-1
187 FASTON,PCB TAB,TNBR



TE Part # 1217061-1
187 FASTON,FLAG,TAB,TNBR



TE Part # 63823-1
187 FASTON TAB TPBR



TE Part # 63603-1
187 FASTON TAB TPBR



TE Part # 63951-4
250 FASTON TAB TPBR



TE Part # 63952-1
250 FASTON TAB TPBR



TE Part # 1742428-1
110 FASTON,TAB,PCB,TPBR



TE Part # 63951-8
250 FASTON TAB TPBR

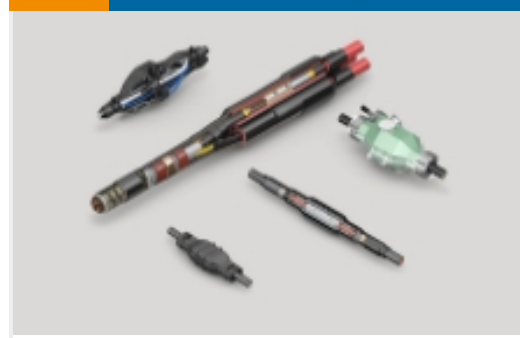
Also in the Series | FASTON 187



Crimp Terminal Housings(42)



Insertion & Extraction Tools(1)



Joints & Splices(1)



PCB Terminals(42)



Quick Disconnects(209)

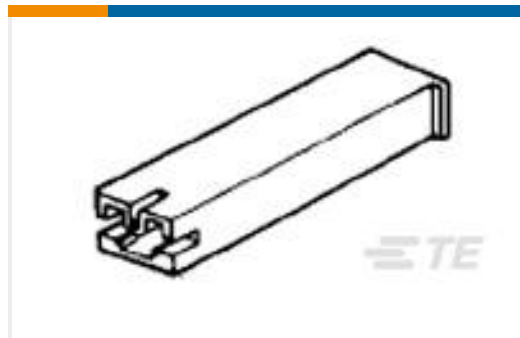


Splices(1)

Customers Also Bought



TE Part #4-1622825-7
RL73K 3A R33 5% 4K RL



TE Part #173974-6
PL MKII 187 REC HSG 1P NYLON BLUE



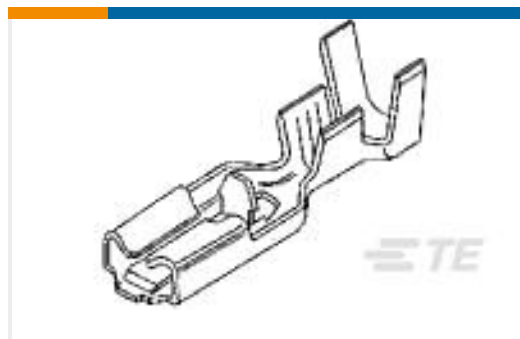
TE Part #521384-8
ASSY PL R/A RAST5 HEADER 08-D



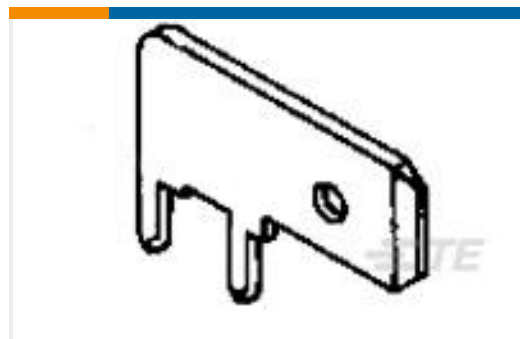
TE Part #5-2176415-3
8W STD M/OX 5% 4K3



TE Part #1393793-3
V23105A5307A201



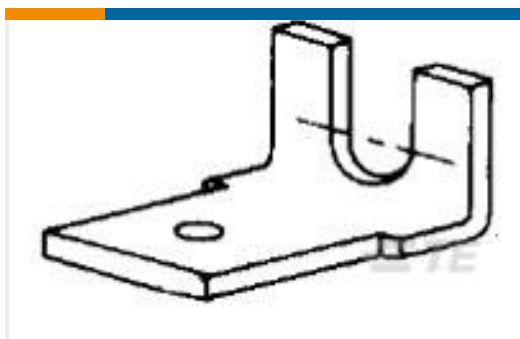
TE Part #63232-1
POSITIVE LOCK 187 REC 20-16 AWG
TPBR



TE Part #928814-1
250 FASTON TAB TPBR



TE Part #964768-2
STD-TIM HSG SPECIAL 2P (GREY)



TE Part #62166-1
250 FASTON TAB BR



Documents

Product Drawings

[187 FASTON,FLAG,PCB TAB,TNBR](#)

English

CAD Files

[3D PDF](#)

3D

Customer View Model

[ENG_CVM_CVM_1217062-1_G.2d_dxf.zip](#)

English

Customer View Model

[ENG_CVM_CVM_1217062-1_G.3d_igs.zip](#)

English

Customer View Model

[ENG_CVM_CVM_1217062-1_G.3d_stp.zip](#)

English

By downloading the CAD file I accept and agree to the [Terms and Conditions](#) of use.

Datasheets & Catalog Pages

[FASTON PCB Tabs and Receptacles](#)

English

[PRINTED CIRCUIT BOARD TERMINALS AND DISCONNECTS](#)

English

Product Specifications

[FASTON* 110, 187, 205, 250, and 312 Series Tab Contacts for Printed Circuit \(PC\) Board Applications](#)

English

Product Environmental Compliance

[TAB 187 FAST 020TPBR](#)

English

[TAB 187 FAST 020TPBR](#)

English

Agency Approvals

[CSA Certificate](#)

English

[CSA Certificate](#)

English