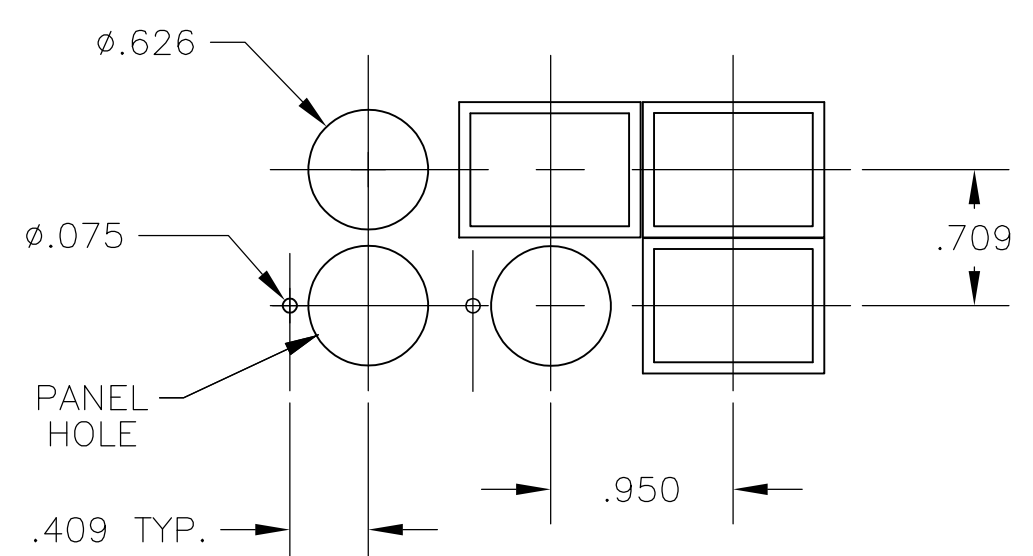
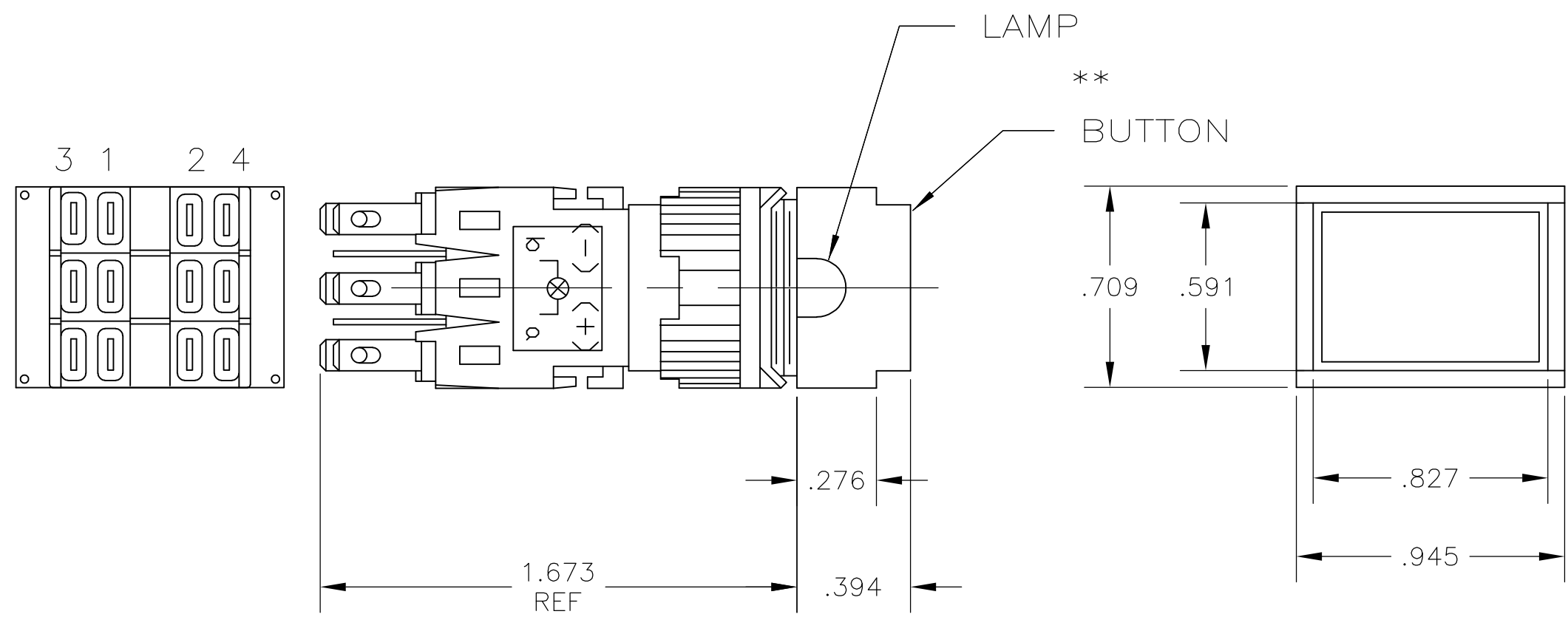


THIS DRAWING IS UNPUBLISHED. RELEASED FOR PUBLICATION  
 © COPYRIGHT BY TYCO ELECTRONICS CORPORATION. ALL INTERNATIONAL RIGHTS RESERVED.

| LOC |    | DIST |     | REVISIONS                 |         |     |      |
|-----|----|------|-----|---------------------------|---------|-----|------|
| AD  | 00 | P    | LTR | DESCRIPTION               | DATE    | DWN | APVD |
|     |    | A1   |     | REVISED PER ECO-10-000290 | 07JAN11 | HMR | MW   |



RECOMMENDED HOLE LAYOUT  
 TOLERANCE +/- .002

SPECIFICATIONS:

MATERIALS:  
 MOVING CONTACT: COPPER ALLOY, GOLD PLATE OVER SILVER CLAD.  
 FIXED CONTACT: COPPER ALLOY, GOLD PLATE OVER SILVER CLAD.

ELECTRICAL:  
 CONTACT RATING: .04VA @ 20VDC OR PEAK AC.  
 5 AMPS @ 250VAC OR 24VDC (RESISTIVE).  
 INITIAL CONTACT RESISTANCE: 20 MILLIOHMS MAX.  
 INSULATION RESISTANCE: 100 MEGOHMS MINIMUM.  
 DIELECTRIC STRENGTH: 1500 VOLTS RMS @ SEA LEVEL.  
 LIFE EXPECTANCY: 100,000 CYCLES.

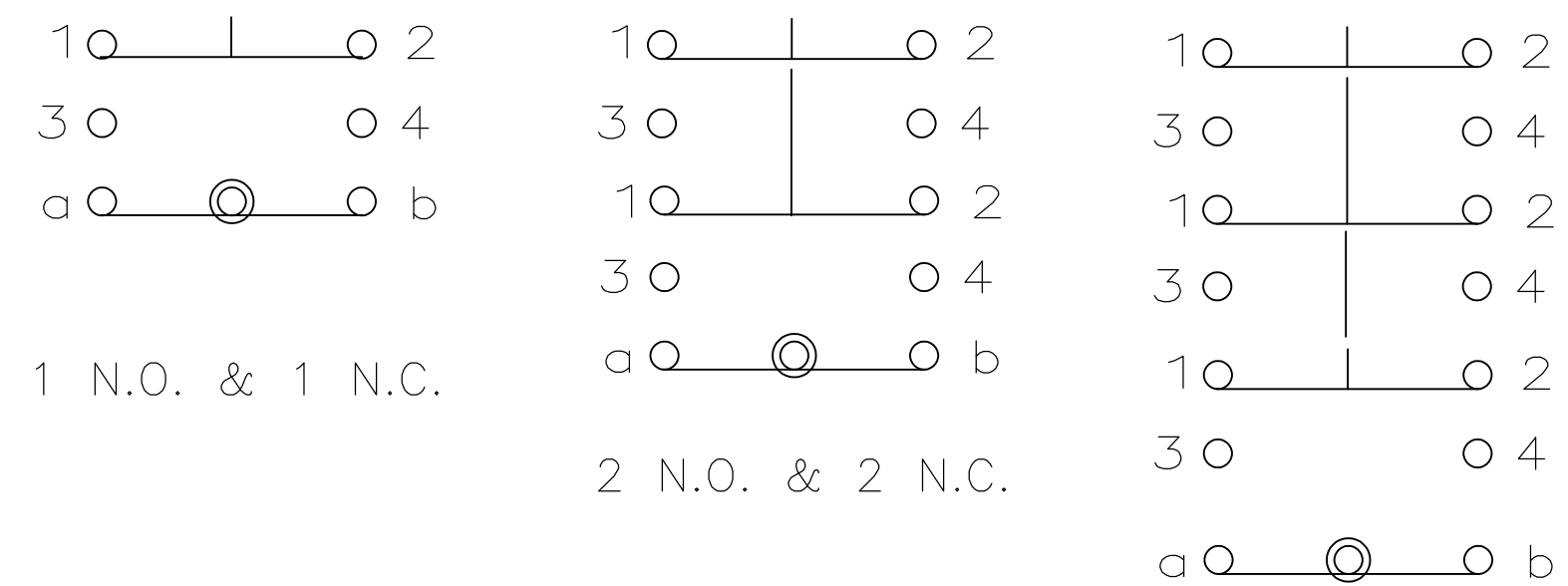
ENVIRONMENTAL:  
 OPERATING TEMPERATURE: -4°F TO +122°F (-20°C TO +50°C)  
 STORAGE TEMPERATURE: -4°F TO +122°F (-20°C TO +50°C)

- INTERPRET DRAWING PER ASME Y14.5M-1994.
- OILTIGHT MODELS MEET NEMA 1, 12, 13 REQUIREMENTS.
- UL RECOGNIZED E-51302.
- PANEL THICKNESS: NON-OILTIGHT = 0.230 MAX.  
OILTIGHT = 0.210 MAX.

\*\* ORDER BUTTON AND LAMP SEPARATELY: SEE DWG NO. 80810 & 80811

- 5 THE PLATINGS CONTAINED IN THIS PART SHALL CONTAIN NO LEAD.
- 6 PRELIMINARY PART

| 5           | 1571545-5          |                | 165TL511 | 1 N.O. & N.C. | PUSH ON/PUSH OFF |
|-------------|--------------------|----------------|----------|---------------|------------------|
| 5           | 1571545-4          |                | 165TL11  | 1 N.O. & N.C. | MOMENTARY        |
| 5           | 1571545-3          | 164TL522       |          | 2 N.O. & N.C. | PUSH ON/PUSH OFF |
| 5           | 1571545-2          | 164TL22        |          | 2 N.O. & N.C. | MOMENTARY        |
| 5           | 1571545-1          | 164TL11        |          | 1 N.O. & N.C. | MOMENTARY        |
| 5           | 5-1437569-8        |                | 165TL533 | 3 N.O. & N.C. | PUSH ON/PUSH OFF |
| 5           | 5-1437569-7        |                | 165TL522 | 2 N.O. & N.C. | PUSH ON/PUSH OFF |
| 5           | 5-1437569-6        |                | 165TL511 | 1 N.O. & N.C. | PUSH ON/PUSH OFF |
|             |                    |                | 165TL33  | 3 N.O. & N.C. | MOMENTARY        |
| 5           | 5-1437569-5        |                | 165TL22  | 2 N.O. & N.C. | MOMENTARY        |
| 5           | 5-1437569-4        |                | 165TL11  | 1 N.O. & N.C. | MOMENTARY        |
|             | 147521-1           |                | 165TL    | -             | MOMENTARY        |
| 4           | 4-1437569-0        | 164TL533       |          | 3 N.O. & N.C. | PUSH ON/PUSH OFF |
| 3           | 3-1437569-9        | 164TL522       |          | 2 N.O. & N.C. | PUSH ON/PUSH OFF |
| 3           | 3-1437569-8        | 164TL511       |          | 1 N.O. & N.C. | PUSH ON/PUSH OFF |
| 3           | 3-1437569-7        | 164TL5         |          | -             | PUSH ON/PUSH OFF |
| 3           | 3-1437569-6        | 164TL33        |          | 3 N.O. & N.C. | MOMENTARY        |
| 3           | 3-1437569-5        | 164TL22        |          | 2 N.O. & N.C. | MOMENTARY        |
| 3           | 3-1437569-4        | 164TL11        |          | 1 N.O. & N.C. | MOMENTARY        |
| 3           | 3-1437569-3        | 164TL          |          | -             | MOMENTARY        |
| TE PART No. | MODEL NON OILTIGHT | MODEL OILTIGHT | CONTACTS | ACTION        |                  |



CONTACT DIAGRAM  
 (BUTTON NOT DEPRESSED) 3 N.O. & 3 N.C. WAS 80865

|  |  |                  |   |  |
|--|--|------------------|---|--|
| THIS DRAWING IS A CONTROLLED DOCUMENT. |  | DWN LM 2-23-89   | Tyco Electronics Corporation<br>Harrisburg, PA 17105-3608 |  |
| DIMENSIONS: INCHES                     |  | CHK TH 3-22-89   | NAME 164/165 TL SERIES ILLUMINATED PUSHBUTTON             |  |
| TOLERANCES UNLESS OTHERWISE SPECIFIED: |  | APVD CF 3-22-89  | SIZE CAGE CODE DRAWING NO RESTRICTED TO                   |  |
| 0 PLC ± -                              |  | PRODUCT SPEC     | A2 00779 C-3-1437569-4                                    |  |
| 1 PLC ± -                              |  | APPLICATION SPEC | SCALE 1:1 SHEET 1 OF 1 REV A1                             |  |
| 2 PLC ± -                              |  | WEIGHT -         | CUSTOMER DRAWING  |  |
| 3 PLC ± .010                           |  |                  |   |  |
| 4 PLC ± -                              |  |                  |   |  |
| ANGLES ± -                             |  |                  |   |  |
| FINISH -                               |  |                  |   |  |

3-1437569-4