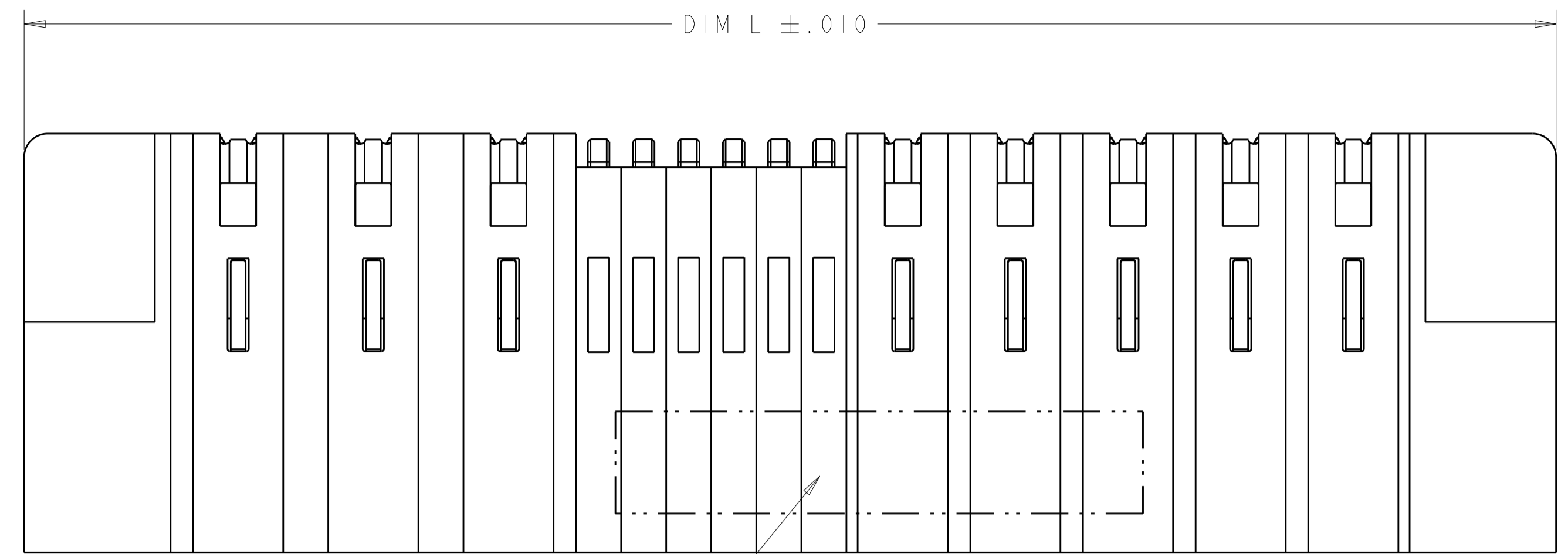
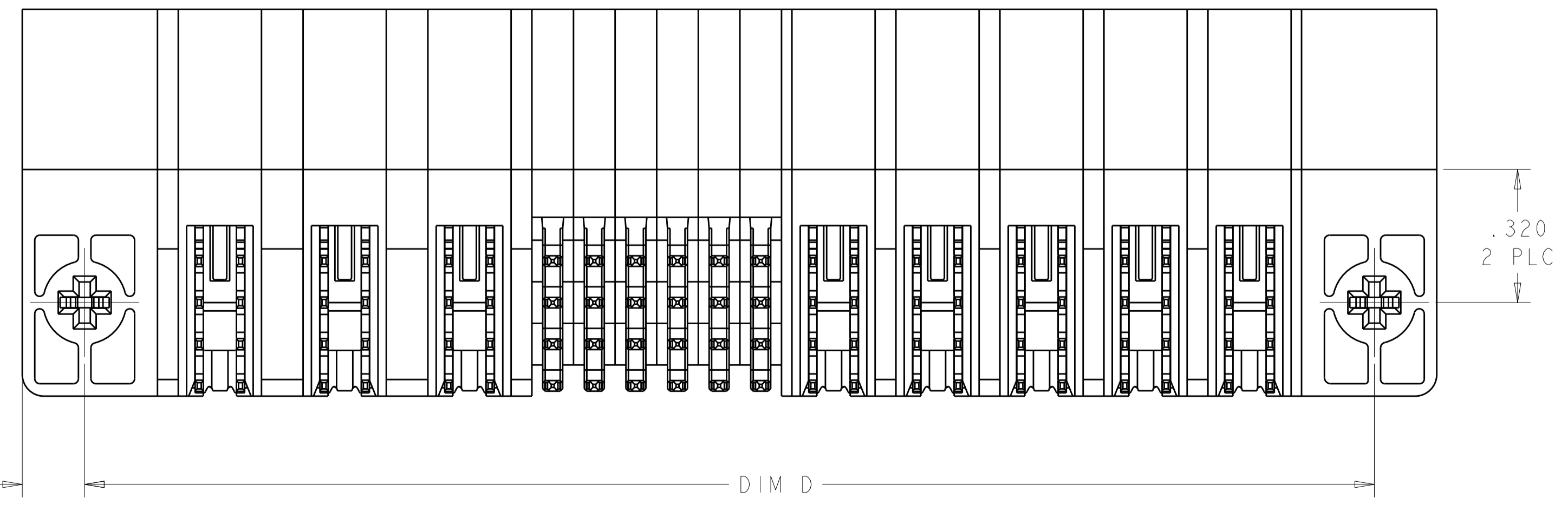
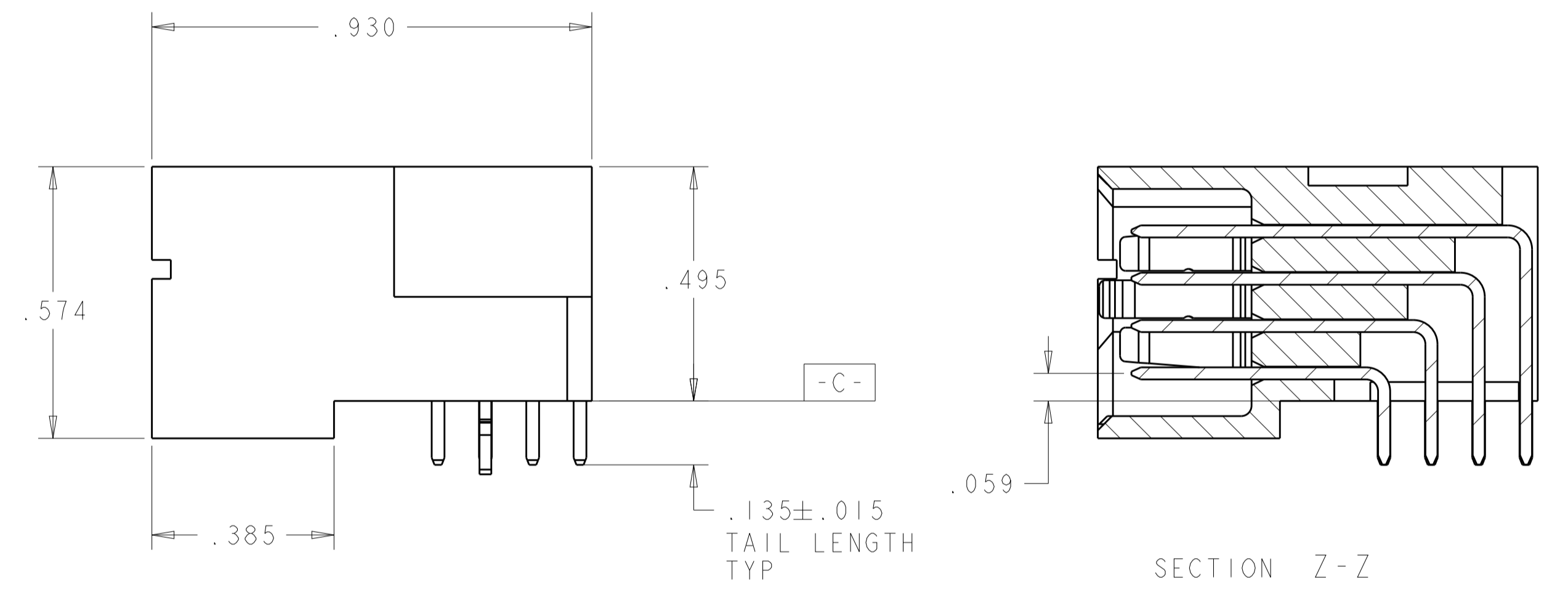
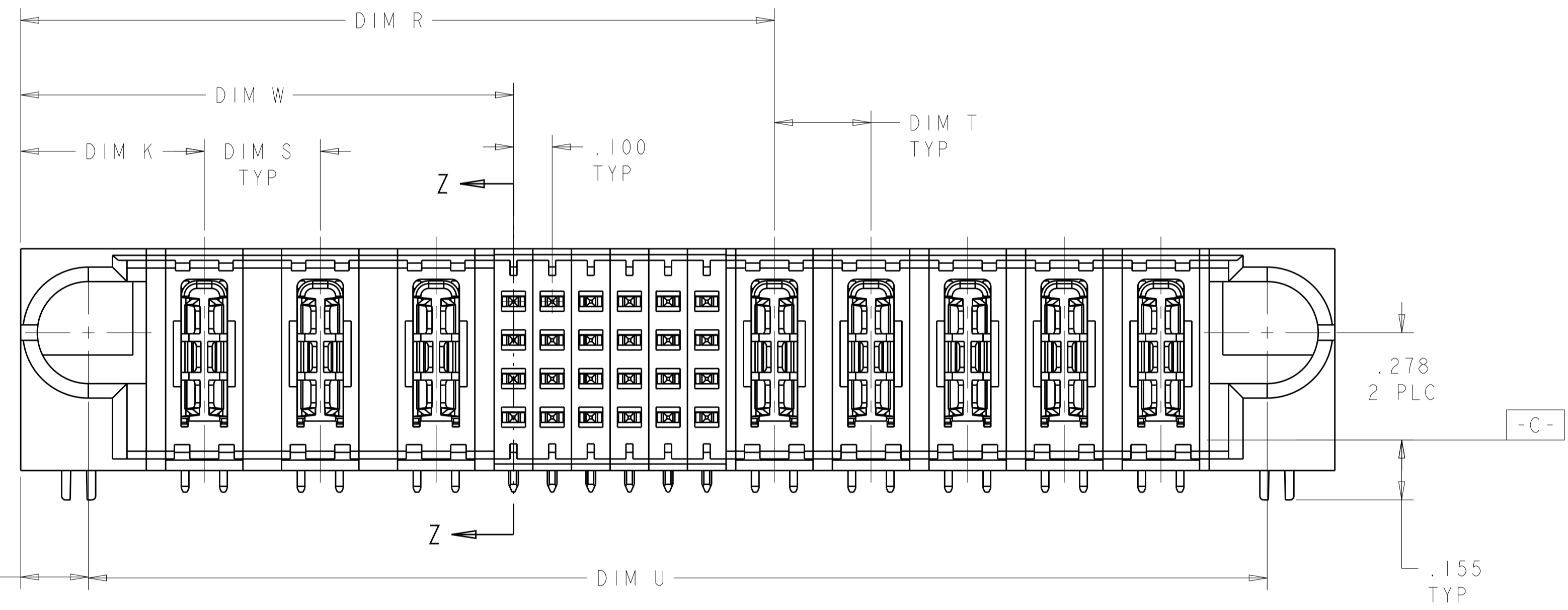


LOC	DIST	REVISIONS			
P	LTN	DESCRIPTION	DATE	DMN	APVD
B2		ADVISED	20MAR2013	ML	SZ



- ① "AMP", PART NUMBER, AND DATECODE TO BE MARKED IN AREA SHOWN. PARTS UNDER 2.00 LONG MAY BE MARKED ON BOTH SIDES.
- ② MATERIAL: HOUSING - GLASS FILLED HIGH TEMP THERMO PLASTIC, UL94 V-0  
SIGNAL CONTACT - HIGH CONDUCTIVITY COPPER ALLOY  
POWER CONTACT - HIGH CONDUCTIVITY COPPER ALLOY
- ③ CONTACT PLATING: NOBLE METAL PLATING ON CONTACT FUNCTIONAL AREA OF POWER AND SIGNAL CONTACTS
- ④ MECHANICAL CONNECTOR KEEP OUT ZONE.
- ⑤ DATUM AND BASIC DIMENSIONS ESTABLISHED BY CUSTOMER.
- ⑥ PCB - HOLE DIAMETERS ARE FINISHED HOLE SIZE.
- ⑦ PCB - .0453±.0010 DRILLED HOLES PLATED WITH .0003 MIN Sn OVER .001 TO .003 Cu PLATING TO ACHIEVE A .040 DIA HOLE.



1.900	.250	.250	1.550	.875	1.950	2.250	.450	2P + 24S + 2P	1892200-4
1.900	.250	.250	1.550	.875	1.950	2.250	.450	2P + 24S + 2P	1892200-3
1.900	.250	.250	1.550	.875	1.950	2.250	.450	2P + 24S + 2P	1892200-2
3.050	.300	.250	1.950	1.275	3.100	3.400	.475	3ACP + 24S + 5P	1892200-1
U	S	T	R	W	D	L	K	DESCRIPTION	PART NUMBER

THIS DRAWING IS A CONTROLLED DOCUMENT.

DMN: C. ZHOU 26MAY2007  
CHK: S. ZHAO 26MAY2007

DIMENSIONS: INCHES  
TOLERANCES UNLESS OTHERWISE SPECIFIED:  
0 PLC ±.  
2 PLC ±.01  
3 PLC ±.0050  
4 PLC ±.0020  
ANGLES ±.0020

MATERIAL: ②  
FINISH: ③

APVD: S. YAO  
NAME: S. YAO  
PRODUCT SPEC: 108-1973  
APPLICATION SPEC: 114-1303B  
WEIGHT: -  
CUSTOMER DRAWING

**STE** TE Connectivity

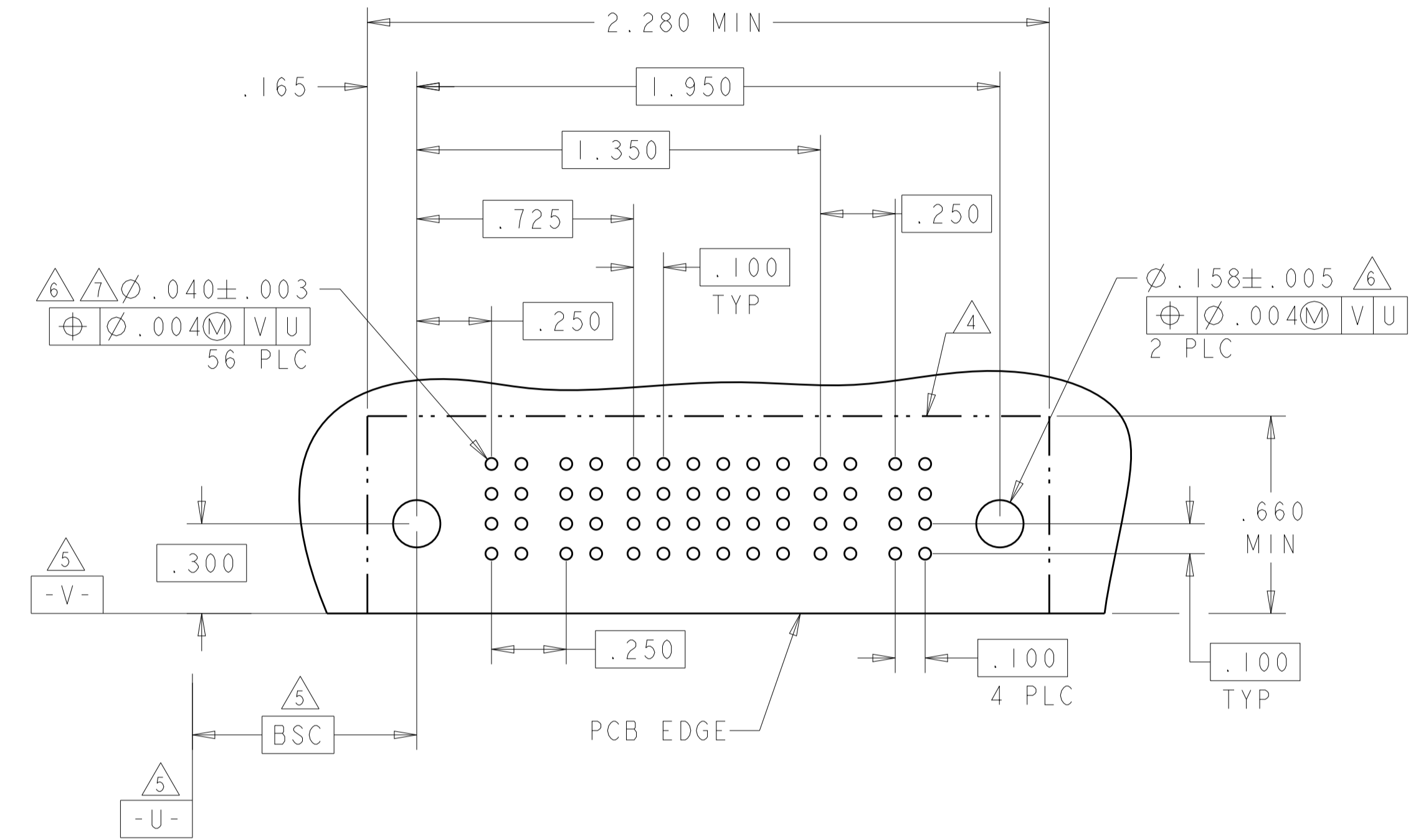
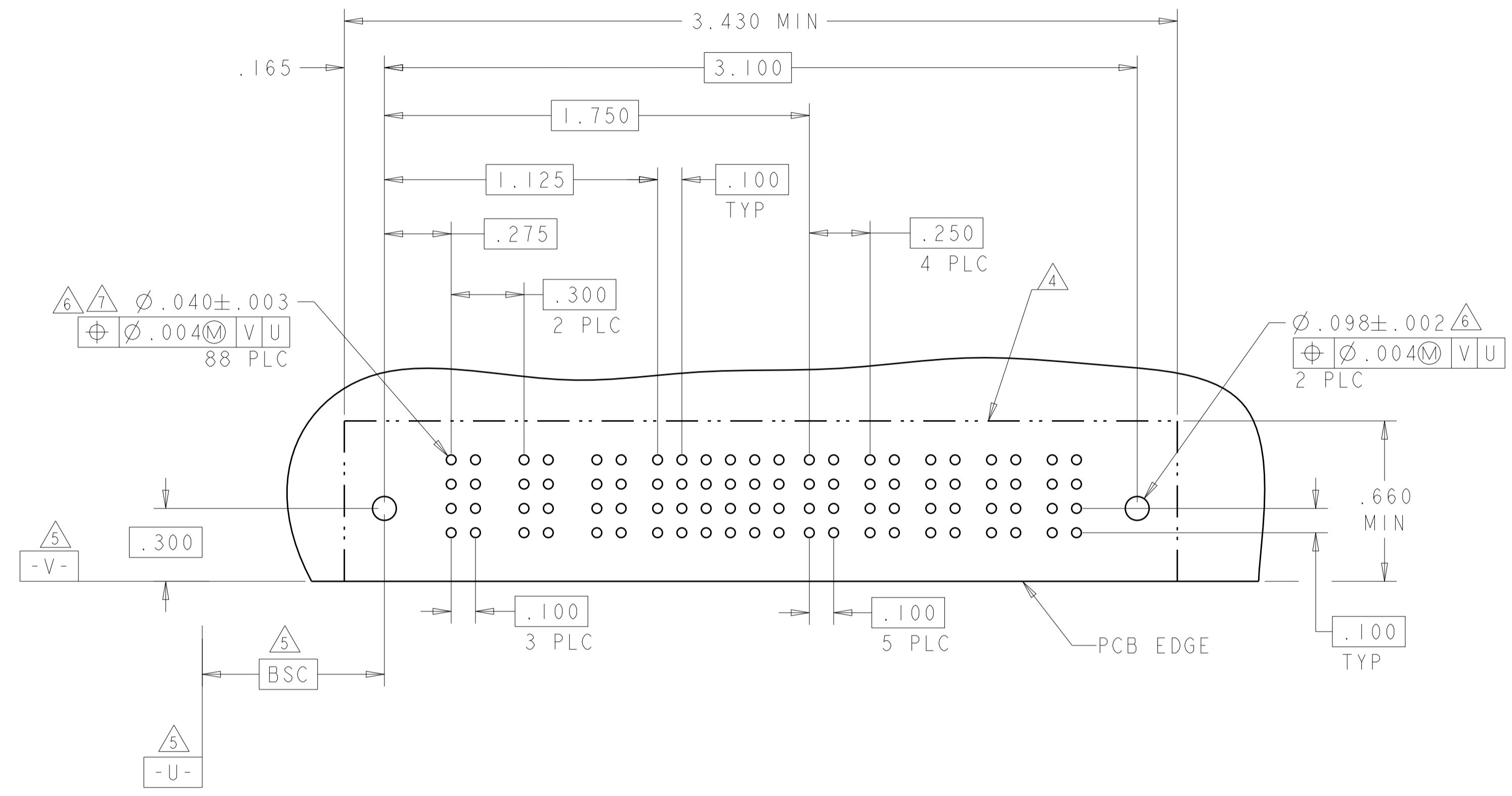
RIGHT ANGLE HEADER ASSEMBLY MULTI-BEAM XL (THREE BEAM)

SIZE: A1  
CAGE CODE: 00779  
DRAWING NO: 1892200  
SCALE: 4:1  
SHEET: 1 OF 2  
REV: B2

LOC	DIST	REVISIONS			
ES	00	REV	DATE	BY	APPV
-	-	SEE SHEET 1	-	-	-

PART NUMBER	ROWS	POWER			SIGNAL						POWER								
		P1	P2	P3	1	2	3	4	5	6	P4	P5	P6	P7	P8				
1892200-1	D C B A	TM	TM	TM	J	J	J	J	F	J	J	J	J	J	J	TM	TM	TM	TM
					K	K	F	K	K	K	K	K	K	K	K				
					N	N	N	N	G	N	N	N	N	N	N				
					S	S	H	S	S	S	S	S	S	S					
3ACP + 24S + 5P																			

PART NUMBER	ROWS	POWER		SIGNAL						POWER					
		P1	P2	1	2	3	4	5	6	P3	P4				
1892200-2	D C B A	TM	TM	J	J	J	J	J	J	J	J	J	J	TM	TM
				K	K	K	K	K	K	K	K	K	K		
				N	N	N	N	N	N	N	N	N	N		
				S	S	H	S	S	S	S	S	S			
2P + 24S + 2P															



PART NUMBER	ROWS	POWER			SIGNAL						POWER				
		P1	P2	P3	1	2	3	4	5	6	P3	P4			
1892200-3	D C B A	TM	TM		J	J	J	J	J	J	J	J	J	TM	TM
					K	K	K	K	K	K	K	K	K		
					N	N	N	N	N	N	N	N	N		
					S	H	S	S	S	S	S	S			
2P + 24S + 2P															

PART NUMBER	ROWS	POWER		SIGNAL						POWER				
		P1	P2	1	2	3	4	5	6	P3	P4			
1892200-4	D C B A	TM	TM	J	J	J	J	J	J	J	J	J	TM	TM
				K	K	K	K	K	K	K	K	K		
				N	N	N	G	N	N	N	N	N		
				S	S	S	S	S	S	S	S			
2P + 24S + 2P														

1892200-4 PCB LATOUT IS THE SAME AS 1892200-2

1892200-3 PCB LATOUT IS THE SAME AS 1892200-2

E	SIGNAL CONTACT,MLBF	D
F	SIGNAL CONTACT,MLBF	C
G	SIGNAL CONTACT,MLBF	B
H	SIGNAL CONTACT,MLBF	A
J	SIGNAL CONTACT,STD	D
K	SIGNAL CONTACT,STD	C
N	SIGNAL CONTACT,STD	B
S	SIGNAL CONTACT,STD	A
TM	POWER CONTACT (THREE BEAM)	-
CODE	MATING SEQUENCE	ROW
CONTACT		

THIS DRAWING IS A CONTROLLED DOCUMENT.

DIMENSIONS: INCHES  
 TOLERANCES UNLESS OTHERWISE SPECIFIED:  
 0 PLC ±.  
 1 PLC ±.01  
 2 PLC ±.01  
 3 PLC ±.0050  
 4 PLC ±.0020  
 ANGLES ±.2°

MATERIAL: -  
 FINISH: -

DWG: C.ZHOU 26MAY2007  
 CHK: S.ZHAO 26MAY2007  
 APVD: S.YAO  
 NAME: RIGHT ANGLE HEADER ASSEMBLY MULTI-BEAM XL (THREE BEAM)  
 PRODUCT SPEC: 108-1973  
 APPLICATION SPEC: 114-1303B  
 WEIGHT: -  
 CUSTOMER DRAWING: -

SCALE: 4:1  
 SHEET: 2 OF 2  
 REV: B2

**STE** TE Connectivity  
 A100779C=1892200