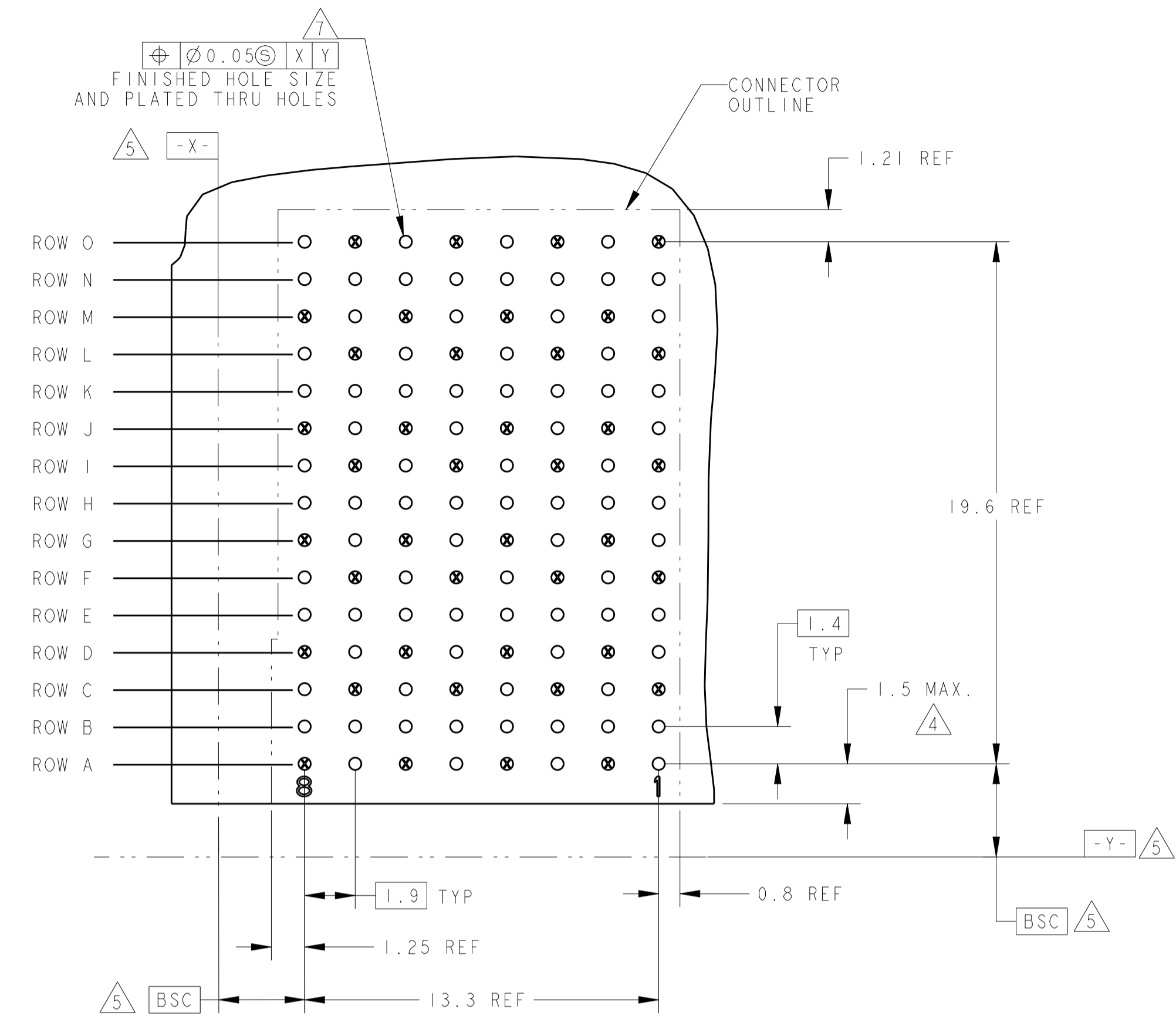
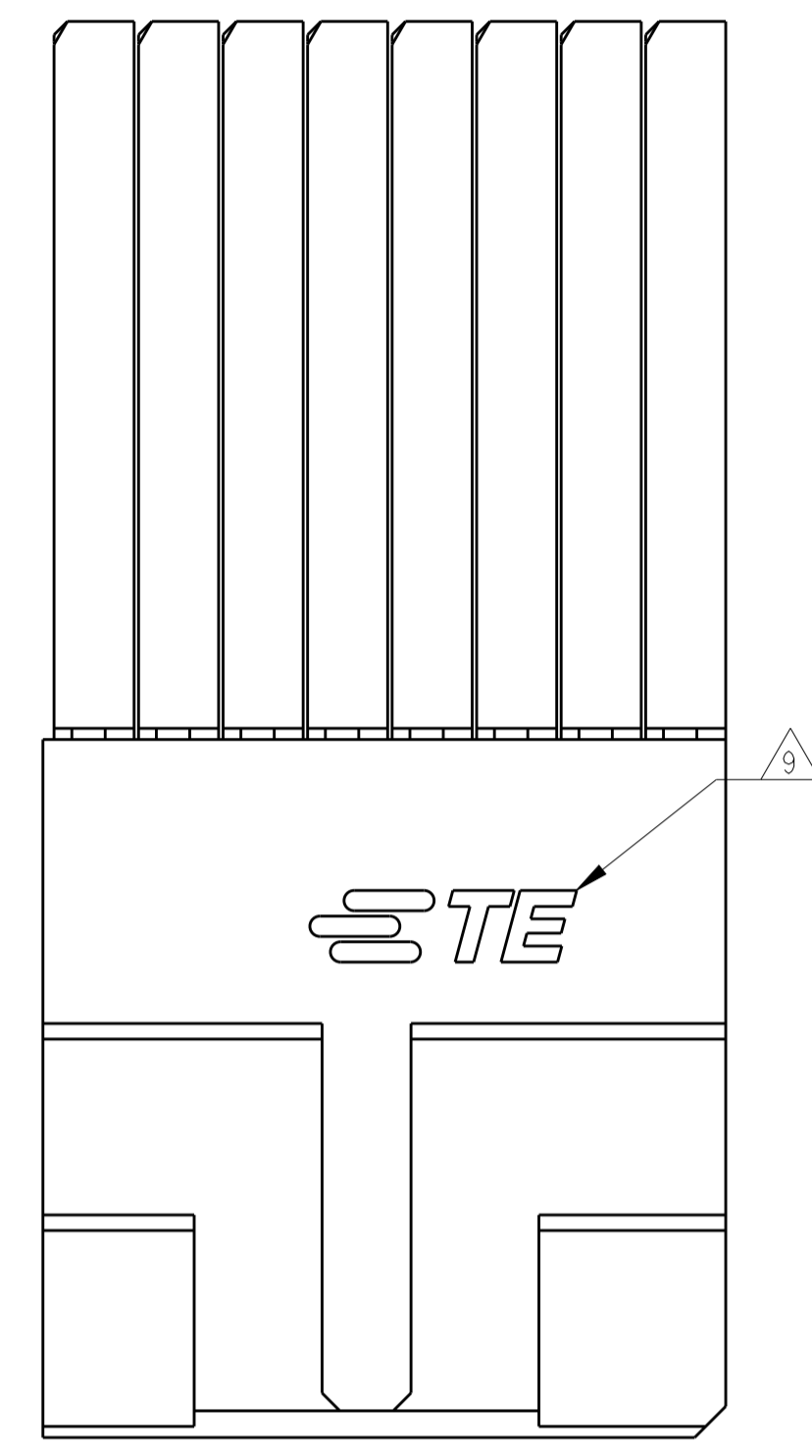


LOC	DIST	REV	DESCRIPTION	DATE	DWN	APVD
J	-	A	RELEASED	27NOV2012	T.T	E.T
		B	REVISED PER ECO-19-009248	18JUL2019	AP	SY

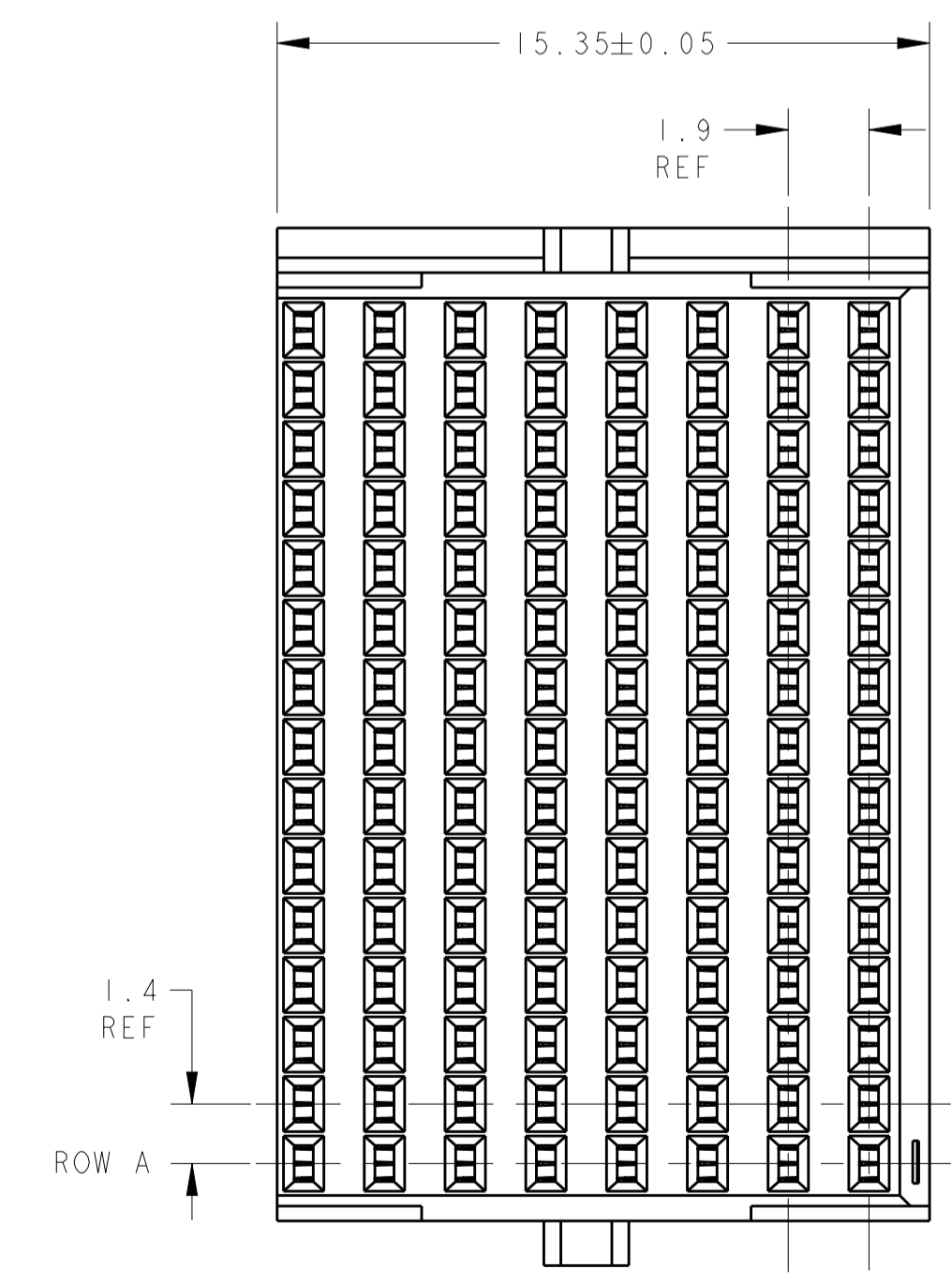
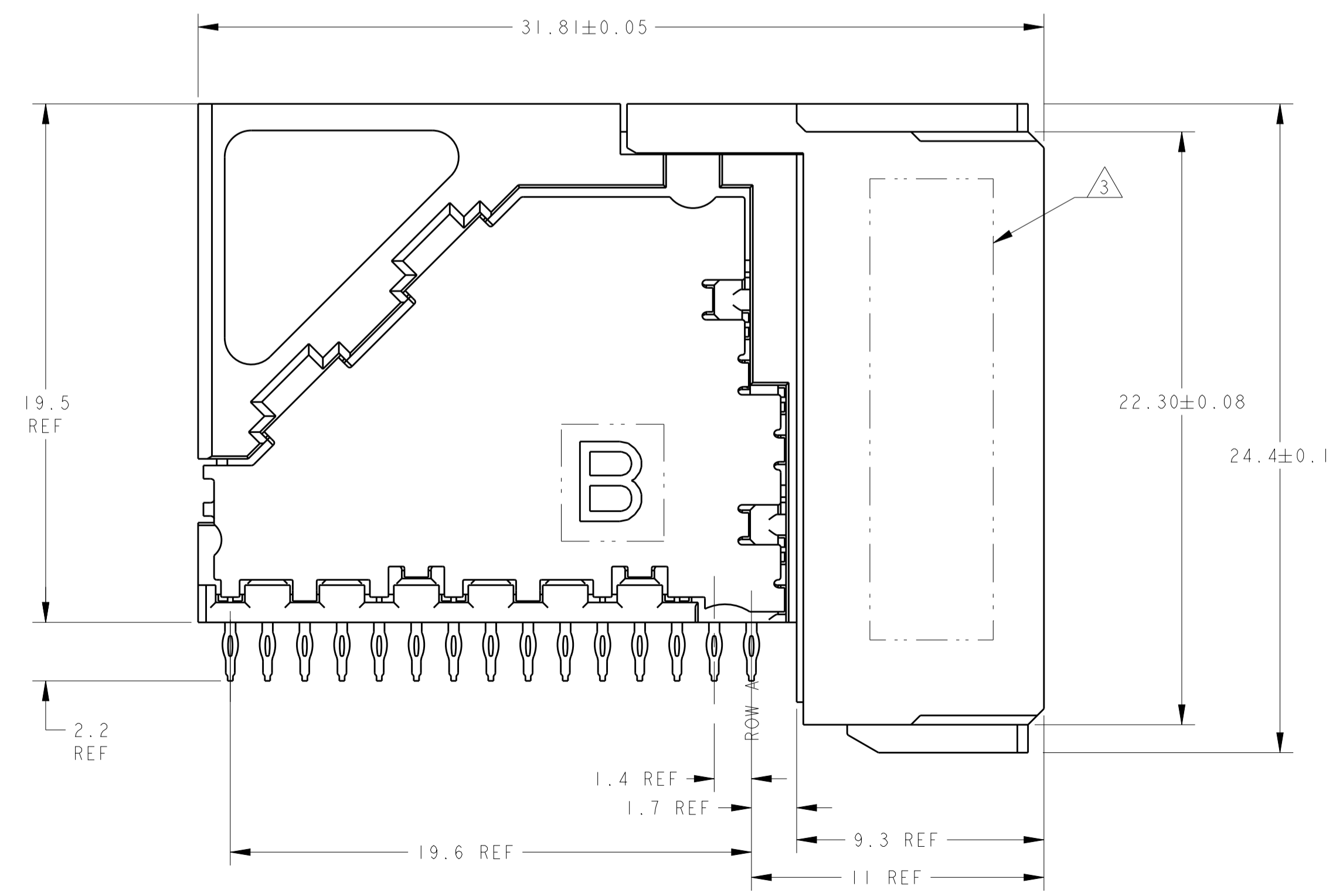


○ = SIGNAL
 ⊗ = GROUND

RECOMMENDED PC BOARD LAYOUT
 DAUGHTER BOARD
 COMPONENT SIDE SHOWN
 SCALE 6:1



- 1 MATERIAL:
CONTACT AND SHIELD - PHOS BRONZE
HOUSING AND CHICKLET - LCP, UL 94V-0, COLOR - BLACK
- 2 FINISH:
CONTACT AREA FINISH CONFORMS TO THE REQUIREMENTS OF TE PRODUCT SPECIFICATION 108-2303; BASED ON TELCORDIA GR-1217-CORE FOR SYSTEM QUALITY LEVEL III, APPLICATIONS IN CONTROLLED ENVIRONMENTS (CENTRAL OFFICE).
- 3 CONNECTOR MARKED ON EITHER SIDE OF HOUSING WITH PART NUMBER, DATE CODE AND STANDARD IN APPROXIMATE AREA SHOWN.
- 4 DIMENSION APPLIES TO CENTERLINE OF THRU HOLE.
- 5 DATUMS AND BASIC DIMENSIONS ESTABLISHED BY CUSTOMER.
- 6 CONTACT AREA LUBRICATED WITH BELLCORE APPROVED LUBRICANT. TECHNICAL REFERENCE: GR-1217-CORE, ISSUE 1, NOVEMBER 1995.
- 7 REFERENCE APPLICATION SPEC 114-13202 FOR RECOMMENDED PLATED THRU HOLE DIAMETER AND PLATING THICKNESSES.
- 8 THE GROUNDS IN EACH COLUMN ARE COMMONED.
- 9 SHOWN LOGO OR OTHER TE OWNED LOGOS IN APPROXIMATE AREA.



-	2201945-2
6	2201945-1
LUBRICANT	PART NUMBER

THIS DRAWING IS A CONTROLLED DOCUMENT.

OWN: T. TAGUCHI 27NOV2012
 CHK: T. KAWAMAE 27NOV2012
 APVD: F. TAKEMASA 27NOV2012

TE Connectivity

RECEPTACLE ASSEMBLY
 5 PAIR, 8 COLUMN

WEIGHT: 17.9 g REF A100779
 C=2201945

Customer Drawing

SCALE 6:1 SHEET 1 OF 1 REV B