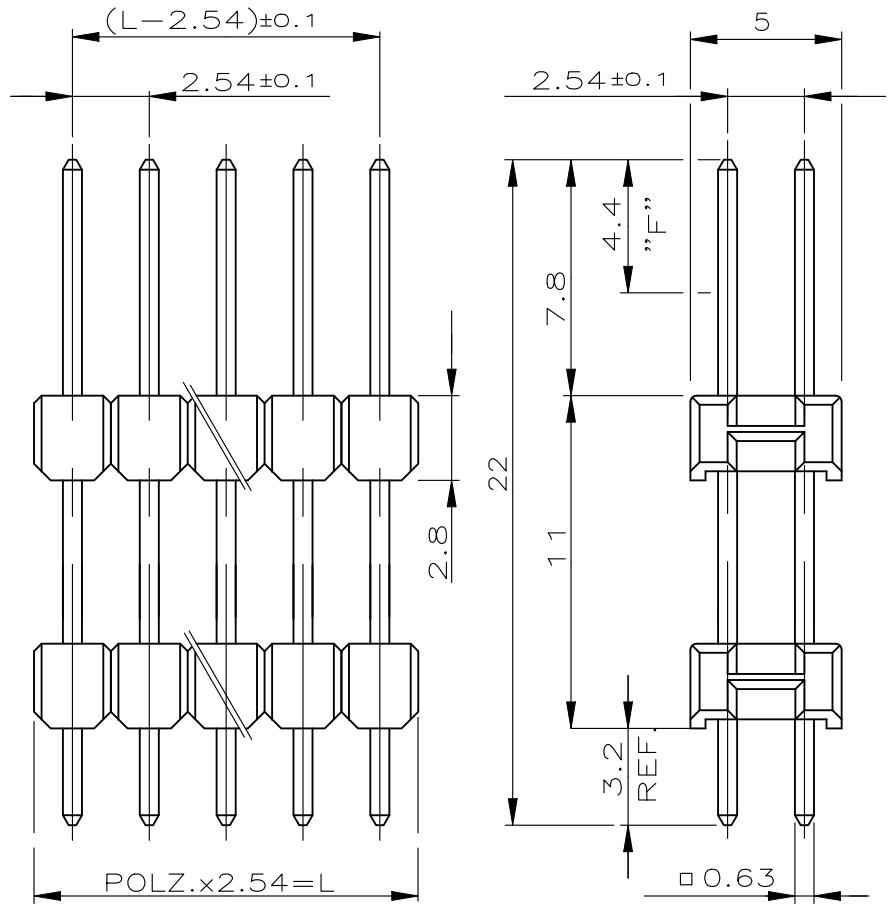


REVISIONS

P	LTR	DESCRIPTION	DATE	DWN	APVD
E1		NOTE 1 0.76µm PLATING UPDATE (PdNi+AuFLASH)	11JUL2023	BGC	PS

POS. PER ROW	L±0.4	PART NO.
-	-	-
2	5.08	2- ² / ₃
3	7.62	3- ³ / ₃
4	10.16	4- ⁴ / ₂
5	12.70	5- ⁵ / ₂
6	15.24	6- ⁶ / ₂
7	17.78	829315 7- ⁷ / ₂
8	20.32	-8
9	22.86	9- ⁹ / ₂
10	25.40	1-
11	27.94	1-
12	30.48	1- 2- ² / ₂
13	33.02	1-
14	35.56	1- 4- ⁴ / ₂
15	38.10	1- 5- ⁵ / ₂
16	40.64	1- 6- ⁶ / ₃
17	43.18	1-
18	45.72	1- 8- ⁸ / ₂
19	48.26	1- 9- ⁹ / ₂
20	50.80	2-
21	53.34	2- 1- ¹ / ₂
22	55.88	2- 2- ² / ₂
23	58.42	2- 3- ³ / ₂
24	60.96	2- 4- ⁴ / ₂
25	63.50	2- 5- ⁵ / ₂
26	66.04	2- 6- ⁶ / ₂
27	68.58	2- 7- ⁷ / ₂
28	71.12	2- 8- ⁸ / ₂
29	73.66	2- 9- ⁹ / ₂
30	76.20	3- 0- ⁰ / ₂
31	78.74	3- 1- ¹ / ₂
32	81.28	3- 2- ² / ₂
33	83.82	3- 3-
34	86.36	3- 4- ⁴ / ₂
35	88.90	3- 5- ⁵ / ₂
36	91.44	3- 6- ⁶ / ₂
37	93.98	3- 7- ⁷ / ₂
38	96.52	3- 8- ⁸ / ₂
39	99.06	3- 9- ⁹ / ₂
40	101.60	4- 0- ⁰ / ₂
41	104.14	4- 1- ¹ / ₂
42	106.68	4- 2- ² / ₂
43	109.22	4- 3- ³ / ₂
44	111.76	4- 4- ⁴ / ₂
45	114.30	4- 5- ⁵ / ₂
46	116.84	4- 6- ⁶ / ₂
47	119.38	4- 7- ⁷ / ₂
48	121.92	4- 8- ⁸ / ₂
49	124.46	4- 9-
50	127.00	5- 829315 0- ⁰ / ₃



1 MATING SIDE: Min 0.76µm (PdNi + Au FLASH) IN ZONE "F" OVER Min 1.27µm Ni
 (Alternative plating - Min 0.76µm Au OVER Min 1.27µm Ni)
 SOLDER SIDE: Min. 2.5µm TIN OVER Min 1.27µm Ni

2 OBSOLETE PARTS: OBSOLETE CIS STREAMLINING PER D.RENAUD/D.SINISI

3 OBSOLETE

CONTACT PIN	CuZn	1
PIN HOUSING	PBT	GREEN SURFACE COLOR
DESCRIPTION	MATERIAL	COLOR

TE Connectivity. All Rights Reserved.

DIMENSIONS: mm	DWN	28NOV1988	MATERIAL	-	FINISH	-
	CHK	M.Schaarschmidt	TE Connectivity			
TOLERANCES UNLESS OTHERWISE SPECIFIED:	APVD	-				
±0.2 mm	PRODUCT SPEC	108-18012	NAME			
0 PLC ± -	APPLICATION SPEC		SPEZ. AMPMODU II STIFTLISTE			
1 PLC ± -			ZWEIREIHIG			
2 PLC ± -			SIZE	CAGE CODE	DRAWING NO	RESTRICTED TO
3 PLC ± -			A4	00779	C-829315	-
4 PLC ± -						
ANGLES ± NOTE 1 0.76µm PLATING UPDATE (PdNi+AuFLASH)	WEIGHT	-				
	CUSTOMER DRAWING		SCALE	4:1	SHEET	1 OF 1
						REV E1