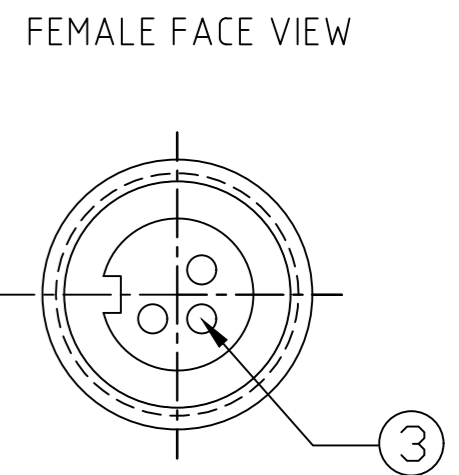
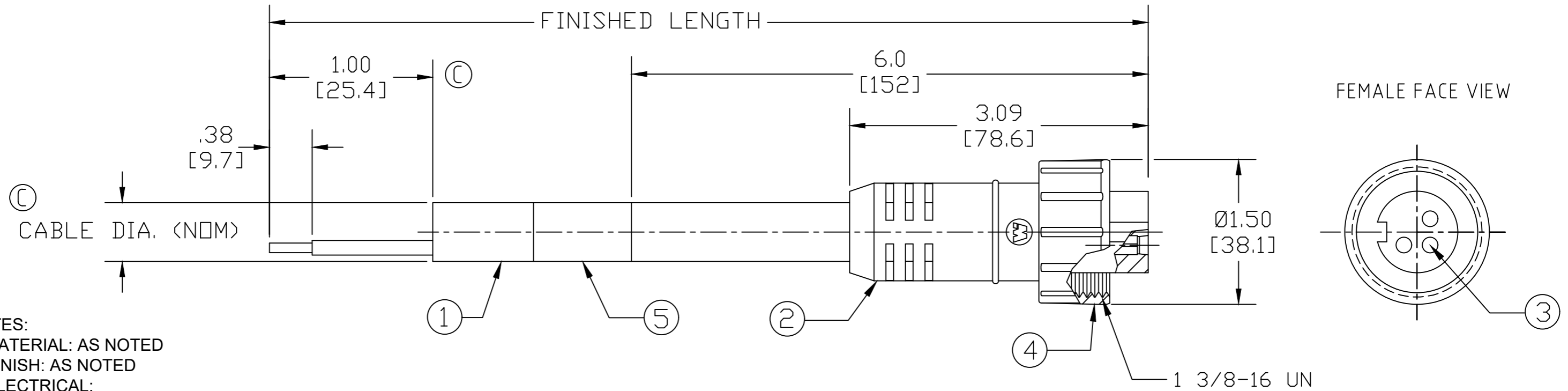


CABLE LENGTH TOLERANCES

>.3M [1FT]: +19mm-0 [+ .75in-0]
.3 - .9M [1 - 3FT]: +44.5mm-0 [+1.75in-0]
.9 - 1.8M [3 - 6FT]: +55.6mm-0 [+2.19in-0]
1.8 - 3.7M [6 - 12FT]: +88.9mm-0 [+3.50in-0]
3.7 - 7.3M [12 - 24FT]: +165.1mm-0 [+6.50in-0]
7.3-14.6M [24 - 48FT]: +317.5mm-0 [+12.50in-0]
14.6 - 30.5M [48-100FT]: +622.3mm-0 [+24.50in-0]
OVER 30M [100FT] +2% OF FINISHED LENGTH

POLES	MATERIAL NO.	ENGINEERING NO.	FINISHED LENGTH	CABLE DIA. (NOM)
2	1300000018	32022	3.0 FT. [0.9M]	.53 [13.5]
	1300000019	32023	6.0 FT. [1.8M]	
	1300000021	32024	12.0 FT. [3.7M]	
3	1300000042	32322	3.0 FT. [0.9M]	.55 [14.0]
	1300000043	32323	6.0 FT. [1.8M]	
	1300000044	32324	12.0 FT. [3.7M]	

Ⓢ REF. FOR 4P ASSY. SEE 1300000009 PSD



- NOTES:
1. MATERIAL: AS NOTED
  2. FINISH: AS NOTED
  3. ELECTRICAL:  
VOLTAGE: 600V AC/DC  
CURRENT: 2P & 3P: 18A
  4. TEMP RATING: -25°C TO +90°C
  5. PROTECTION: IP67 (WHEN MATED)
  6. COUPLING THREAD: AS NOTED
  7. ALL DIMS ARE FOR REFERENCE UNLESS TOLERENCED OR NOTED OTHERWISE

ITEM	COMPONENT	MATERIAL	FINISH
5	WRAP LABEL	VINYL	BLACK/YELLOW
4	COUPLING NUT	THERMOPLASTIC	BLACK
3	CONTACT SOCKET	COPPER ALLOY	UN-PLATED
2	OVERMOLD	RUBBER	YELLOW
1	CABLE-14 AWG SDDW	CPE JACKET	YELLOW

SYMBOLS	THIS DRAWING CONTAINS INFORMATION THAT IS PROPRIETARY TO MOLEX ELECTRONIC TECHNOLOGIES, LLC AND SHOULD NOT BE USED WITHOUT WRITTEN PERMISSION		
	DIMENSION UNITS	SCALE	CURRENT REV DESC: REV'D PER LATEST DOC STD. ADD NOTE 7, 1.00 WAS 3.00, ADD CABLE DIA. REMOVED 4P, SEE 1300000009 PSD
▽ = 0	INCH/MM	1:1	EC NO: 624731 DRWN: RSTONE 2019/09/03 CHK'D: CCHRSTKA 2019/10/01 APPR: BWOODMAN 2019/10/09
▽ = 0	GENERAL TOLERANCES (UNLESS SPECIFIED)		
▽ = 0			INITIAL REVISION: DRWN: RSTONE 2012/11/20 APPR: JFMURPHY 2013/02/07
▽ = 0	4 PLACES	±--- ±---	
▽ = 0	3 PLACES	±--- ±---	DOCUMENT NUMBER: SD-130000-004 DOC TYPE: PSD DOC PART: 001 REVISION: C
▽ = 0	2 PLACES	±--- ±0.01	
▽ = 0	1 PLACE	±0.3 ±---	MATERIAL NUMBER: 130000 CUSTOMER: GENERAL MARKET SHEET NUMBER: 1 OF 1
▽ = 0	0 PLACES	±--- ±---	
▽ = 0	ANGULAR TOL ± 2.0°		
▽ = 0	DRAFT WHERE APPLICABLE MUST REMAIN WITHIN DIMENSIONS		
▽ = 0	THIRD ANGLE PROJECTION		
▽ = 0	DRAWING: B-SIZE		