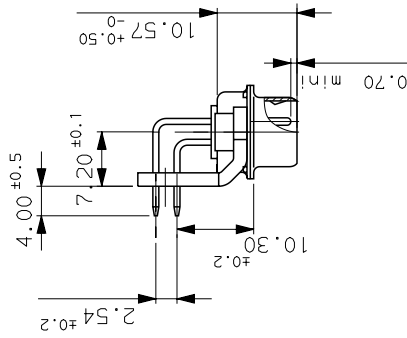
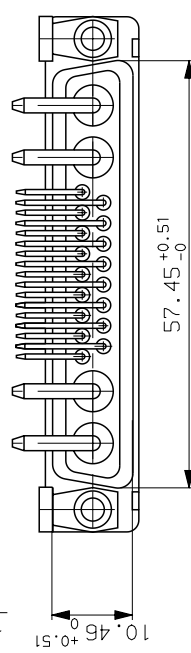
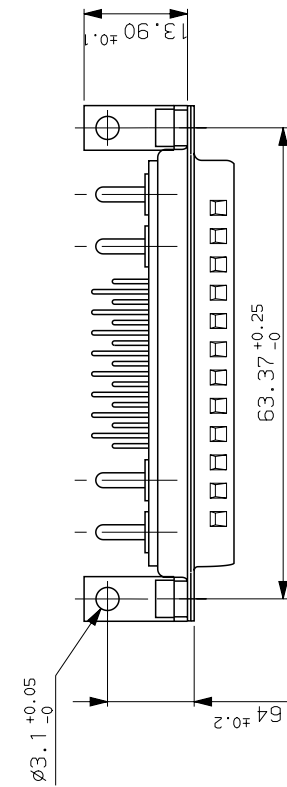
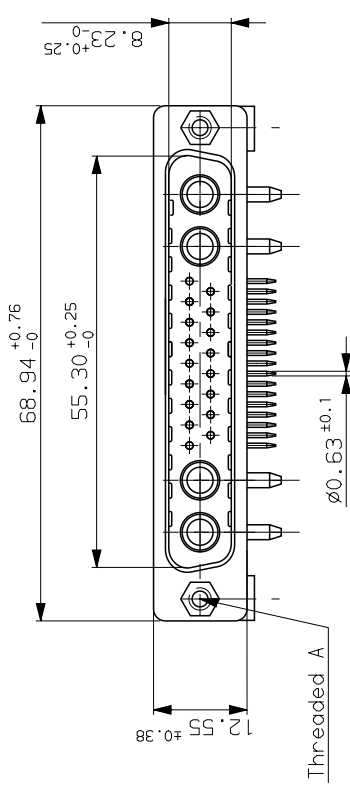
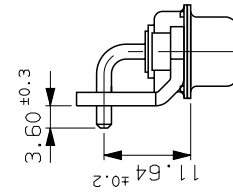


GENERAL CHARACTERISTICS : SEE DRAWING C01-8639-0000

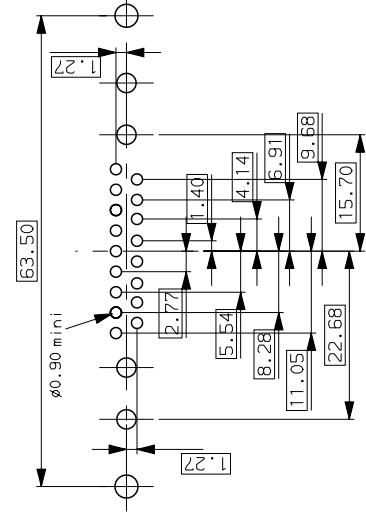
VIEW WITHOUT POWERS CONTACTS



VIEW WITH POWERS CONTACTS



LAYOUT DIMENSIONS (after plating)  
CONNECTOR SIDE VIEW



DC021WA4P500M30	UNC 4.40
DC021WA4P500M40	UNC 4.40
DCL21WA4P500M30	M3
DCL21WA4P500M40	M3
PART NUMBER	Threaded A

b 01/10/03	update	MOD N°	--
ISS DATE	Lastest modification by : DEBRAY.T	CLIENT	
Designed by : JARRY	date: 25/01/01	Type of drawing:	CLIENT
Checked by : FONTENEAU date: ---	Released by: ---		
TITLE : PINS CONNECTORS RIGHT ANGLED WITH POWERS CONTACTS			
SCALE	Special mfg: ---	MATERIAL: ---	N°: ---
1.5	Item List n°: ---	General linear Tolerances: ---	Geometrical Tolerances: see NF E 04-552
		General machining surface texture: √	SHEET 01
		This document is the property of FRAMATOME CONNECTORS FRANCE. It must not be reproduced or communicated without permission in writing from the owners.	
		FRAMATOME CONNECTORS FRANCE Rue Louis Breguet - Bp 05 72024 LE MANS Cedex Tel. 33 (16) 43.84.08.43	
		SOURIAU DRG N°	
FORMAT A3	C01-8639-1850		PROJECT M94D001