

10 9 8 7 6 5 4 3 2 1

F

F

E

E

D

D

C

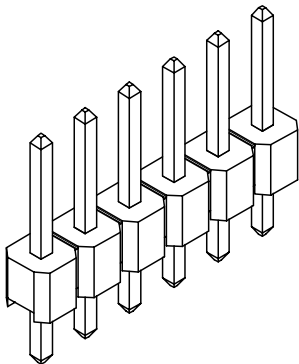
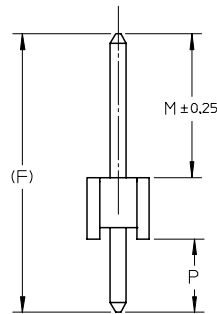
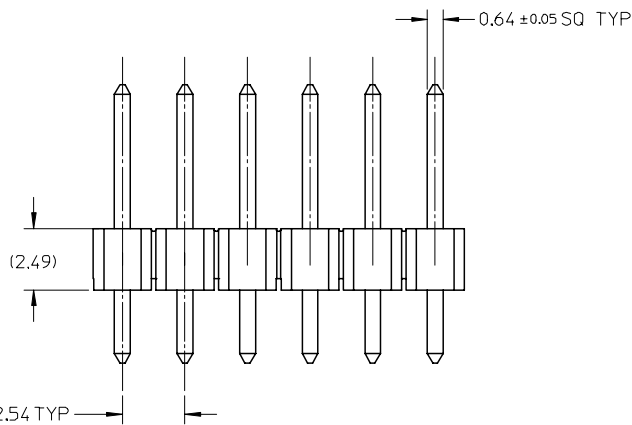
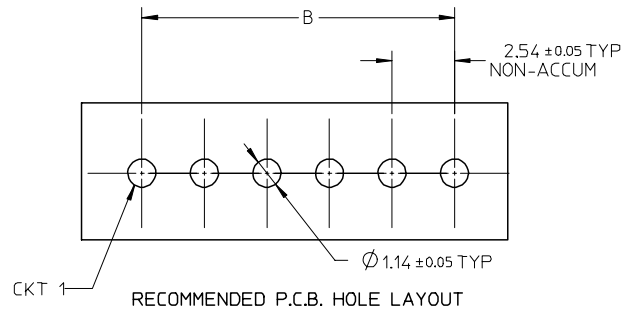
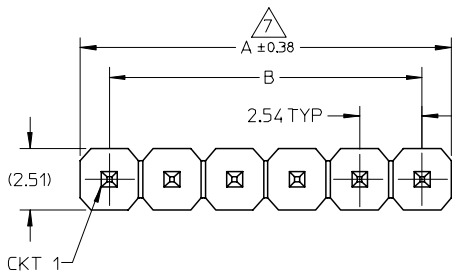
C

B

B

A

A



NOTES

1. MATERIAL:
  - HSG: NYLON, GLASS-FILLED, UL94V-0 COLOR: BLACK
  - PIN: 0.64MM SQ, COPPER ALLOY
2. PLATING TYPE:
  - (1) GOLD FLASH OVER  
1.270µm MIN. NICKEL OVERALL.
  - (2) GOLD FLASH ON CONTACT AND  
1.905µm MIN. TIN ON SOLDER TAIL OVER  
1.270µm MIN. NICKEL OVERALL.
  - (3) 0.254µm MIN. GOLD PLATE ON CONTACT AND  
1.905µm MIN. TIN ON SOLDER TAIL OVER  
1.270µm MIN. NICKEL OVERALL.
  - (4) 0.381µm MIN. GOLD PLATE ON CONTACT AND  
1.905µm MIN. TIN ON SOLDER TAIL OVER  
1.270µm MIN. NICKEL OVERALL.
  - (5) 0.762µm MIN. GOLD PLATE ON CONTACT AND  
1.905µm MIN. TIN ON SOLDER TAIL OVER  
1.270µm MIN. NICKEL OVERALL.
  - (6) 2.540µm/100µm MIN TIN OVERALL  
1.270µm/50µm NICKEL OVERALL
3. PRODUCT SPECIFICATION: PS-87920-019
4. PACKAGING TYPE: SEE TABLE
5. WAFER TO BE FLAT WITHIN 0.003 mm/mm
6. RECOMMENDED PCB THICKNESS IS 1.60mm±0.10
- △ IRREGULAR CIRCUIT CUTOFF WITHIN BREAKAWAY SECTION IS PERMISSIBLE. CUTTING OR CHIPPING OF THE MAIN BODY IS NOT ACCEPTABLE
8. THE ABOVE CKT 6 IS FOR ILLUSTRATION PURPOSE ONLY
9. PACKAGING SPECIFICATION:
  - TRAY: PK-89990-489
  - BULK: PK-89990-491

EWR# 1023 EC NO: S2007-0289 DRWN:SKL/M01 CHKD:C/LAM APPR:K/LEE 2006/09/29 2006/09/29 2006/09/30	DESCRIPTION REV	QUALITY SYMBOLS	GENERAL TOLERANCES (UNLESS SPECIFIED)	DIMENSION STYLE	SCALE	DESIGN UNITS	THIRD ANGLE PROJECTION	
		▽=0 ∇=0	mm    INCH 4 PLACES ± --- ± --- 3 PLACES ± --- ± --- 2 PLACES ± 0.20 ± --- 1 PLACE ± --- ± --- ANGULAR ± 3 °	MM ONLY	NTS	METRIC	DRAWN BY DATE YLQ1A0 2004/11/17 CHECKED BY DATE PTL IM 2004/12/01 APPROVED BY DATE SCLOW 2004/12/06	
		DRAFT WHERE APPLICABLE MUST REMAIN WITHIN DIMENSIONS		SEE TABLE	TITLE CUSTOM HEADER 2.54MM PITCH, SINGLE ROW SINGLE WAFER, T/H HEADER		MOLEX INCORPORATED DOCUMENT NO. SD-87891-013	
				SIZE A3	THIS DRAWING CONTAINS INFORMATION THAT IS PROPRIETARY TO MOLEX INCORPORATED AND SHOULD NOT BE USED WITHOUT WRITTEN PERMISSION		SHEET NO. 1 OF 8	

9 8 7 6 5 4 3 2 1

PACKAGING OPTION PART NO.										PACKAGING OPTION PART NO.											
TRAY	BULK	TUBE WITHOUT CAP	CKT SIZE	VOID POSITION	PLATING TYPE	DIMENSION					TRAY	BULK	TUBE WITHOUT CAP	CKT SIZE	VOID POSITION	PLATING TYPE	DIMENSION				
						A	B	F	M	P							A	B	F	M	P
87891-0101	-----	-----	1	-----	1	2.54	----	11.30	5.84	2.97	87891-0401	-----	-----	4	-----	1	10.16	7.62	11.30	5.84	2.97
87891-0102	-----	-----	1	-----	2	2.54	----	11.30	5.84	2.97	87891-0412	-----	-----	4	-----	2	10.16	7.62	11.30	5.84	2.97
87891-0103	-----	-----	1	-----	3	2.54	----	11.30	5.84	2.97	87891-0403	-----	-----	4	-----	3	10.16	7.62	11.30	5.84	2.97
87891-0104	-----	-----	1	-----	4	2.54	----	11.30	5.84	2.97	87891-0404	-----	-----	4	-----	4	10.16	7.62	11.30	5.84	2.97
87891-0105	-----	-----	1	-----	5	2.54	----	11.30	5.84	2.97	87891-0405	-----	-----	4	-----	5	10.16	7.62	11.30	5.84	2.97
87891-0106	-----	-----	1	-----	6	2.54	----	11.30	5.84	2.97	87891-0406	-----	-----	4	-----	6	10.16	7.62	11.30	5.84	2.97
87891-0201	-----	-----	2	-----	1	5.08	2.54	11.30	5.84	2.97	87891-0511	-----	-----	5	-----	1	12.70	10.16	11.30	5.84	2.97
87891-0202	-----	-----	2	-----	2	5.08	2.54	11.30	5.84	2.97	87891-0512	-----	-----	5	-----	2	12.70	10.16	11.30	5.84	2.97
87891-0203	-----	-----	2	-----	3	5.08	2.54	11.30	5.84	2.97	87891-0513	-----	-----	5	-----	3	12.70	10.16	11.30	5.84	2.97
87891-0204	-----	-----	2	-----	4	5.08	2.54	11.30	5.84	2.97	87891-0514	-----	-----	5	-----	4	12.70	10.16	11.30	5.84	2.97
87891-0205	-----	-----	2	-----	5	5.08	2.54	11.30	5.84	2.97	87891-0515	-----	-----	5	-----	5	12.70	10.16	11.30	5.84	2.97
87891-0206	-----	-----	2	-----	6	5.08	2.54	11.30	5.84	2.97	87891-0506	-----	-----	5	-----	6	12.70	10.16	11.30	5.84	2.97
87891-0301	-----	-----	3	-----	1	7.62	5.08	11.30	5.84	2.97	87891-0601	-----	-----	6	-----	1	15.24	12.70	11.30	5.84	2.97
87891-0302	-----	-----	3	-----	2	7.62	5.08	11.30	5.84	2.97	87891-0612	-----	-----	6	-----	2	15.24	12.70	11.30	5.84	2.97
87891-0303	-----	-----	3	-----	3	7.62	5.08	11.30	5.84	2.97	87891-0603	-----	-----	6	-----	3	15.24	12.70	11.30	5.84	2.97
87891-0304	-----	-----	3	-----	4	7.62	5.08	11.30	5.84	2.97	87891-0604	-----	-----	6	-----	4	15.24	12.70	11.30	5.84	2.97
87891-0305	-----	-----	3	-----	5	7.62	5.08	11.30	5.84	2.97	87891-0605	-----	-----	6	-----	5	15.24	12.70	11.30	5.84	2.97
87891-0306	-----	-----	3	-----	6	7.62	5.08	11.30	5.84	2.97	87891-0606	-----	-----	6	-----	6	15.24	12.70	11.30	5.84	2.97

<b>EWR# 1023</b> EC NO: S2007-0289 DRWNS:KLI M01 2006/09/29 CHKD:CWJAM 2006/09/29 APPR:KWLEE 2006/09/30	QUALITY SYMBOLS =0 =0	GENERAL TOLERANCES (UNLESS SPECIFIED)		DIMENSION STYLE <b>MM ONLY</b>		SCALE NTS	DESIGN UNITS METRIC	THIRD ANGLE PROJECTION			
		4 PLACES ± --- ± --- 3 PLACES ± --- ± --- 2 PLACES ± 0.20 ± --- 1 PLACE ± --- ± ---	mm      INCH	DRAWN BY YLQ1A0	DATE 2004/11/17	TITLE <b>CUSTOM HEADER          2.54MM PITCH, SINGLE ROW          SINGLE WAFER, T/H HEADER</b>					
		ANGULAR ± 3 °		CHECKED BY PTL IM	DATE 2004/12/01	MOLEX INCORPORATED					
		DRAFT WHERE APPLICABLE MUST REMAIN WITHIN DIMENSIONS		APPROVED BY SCLOW	DATE 2004/12/06	MATERIAL NO. <b>SEE TABLE</b>	DOCUMENT NO. <b>SD-87891-013</b>	SHEET NO. <b>2 OF 8</b>			

PACKAGING OPTION PART NO.		CKT SIZE	VOID POSITION	PLATING TYPE	DIMENSION					PACKAGING OPTION PART NO.		CKT SIZE	VOID POSITION	PLATING TYPE	DIMENSION							
TRAY	BULK				TUBE WITHOUT CAP	A	B	F	M	P	TRAY				BULK	TUBE WITHOUT CAP	A	B	F	M	P	
F	87891-0711	-----	-----	7	-----	1	17.78	15.24	11.30	5.84	2.97	87891-1001	-----	-----	10	-----	1	25.40	22.86	11.30	5.84	2.97
	87891-0702	-----	-----	7	-----	2	17.78	15.24	11.30	5.84	2.97	87891-1002	-----	-----	10	-----	2	25.40	22.86	11.30	5.84	2.97
	87891-0703	-----	-----	7	-----	3	17.78	15.24	11.30	5.84	2.97	87891-1003	-----	-----	10	-----	3	25.40	22.86	11.30	5.84	2.97
	87891-0704	-----	-----	7	-----	4	17.78	15.24	11.30	5.84	2.97	87891-1004	-----	-----	10	-----	4	25.40	22.86	11.30	5.84	2.97
	87891-0705	-----	-----	7	-----	5	17.78	15.24	11.30	5.84	2.97	87891-1005	-----	-----	10	-----	5	25.40	22.86	11.30	5.84	2.97
	87891-0706	-----	-----	7	-----	6	17.78	15.24	11.30	5.84	2.97	87891-1006	-----	-----	10	-----	6	25.40	22.86	11.30	5.84	2.97
E																						
	87891-0801	-----	-----	8	-----	1	20.32	17.78	11.30	5.84	2.97	87891-1101	-----	-----	11	-----	1	27.94	25.40	11.30	5.84	2.97
	87891-0802	-----	-----	8	-----	2	20.32	17.78	11.30	5.84	2.97	87891-1102	-----	-----	11	-----	2	27.94	25.40	11.30	5.84	2.97
	87891-0803	-----	-----	8	-----	3	20.32	17.78	11.30	5.84	2.97	87891-1103	-----	-----	11	-----	3	27.94	25.40	11.30	5.84	2.97
	87891-0804	-----	-----	8	-----	4	20.32	17.78	11.30	5.84	2.97	87891-1104	-----	-----	11	-----	4	27.94	25.40	11.30	5.84	2.97
D	87891-0805	-----	-----	8	-----	5	20.32	17.78	11.30	5.84	2.97	87891-1105	-----	-----	11	-----	5	27.94	25.40	11.30	5.84	2.97
	87891-0806	-----	-----	8	-----	6	20.32	17.78	11.30	5.84	2.97	87891-1106	-----	-----	11	-----	6	27.94	25.40	11.30	5.84	2.97
	87891-0901	-----	-----	9	-----	1	22.86	20.32	11.30	5.84	2.97	87891-1201	-----	-----	12	-----	1	30.48	27.94	11.30	5.84	2.97
	87891-0902	-----	-----	9	-----	2	22.86	20.32	11.30	5.84	2.97	87891-1202	-----	-----	12	-----	2	30.48	27.94	11.30	5.84	2.97
C	87891-0903	-----	-----	9	-----	3	22.86	20.32	11.30	5.84	2.97	87891-1203	-----	-----	12	-----	3	30.48	27.94	11.30	5.84	2.97
	87891-0904	-----	-----	9	-----	4	22.86	20.32	11.30	5.84	2.97	87891-1204	-----	-----	12	-----	4	30.48	27.94	11.30	5.84	2.97
	87891-0905	-----	-----	9	-----	5	22.86	20.32	11.30	5.84	2.97	87891-1205	-----	-----	12	-----	5	30.48	27.94	11.30	5.84	2.97
	87891-0906	-----	-----	9	-----	6	22.86	20.32	11.30	5.84	2.97	87891-1206	-----	-----	12	-----	6	30.48	27.94	11.30	5.84	2.97
B																						

<b>EWR# 1023</b> EC NO: S2007-0289 DRWNS:KLI M01 2006/09/29 CHKD:CWJAM 2006/09/29 APPR:KWLEE 2006/09/30	QUALITY SYMBOLS =0 =0	GENERAL TOLERANCES (UNLESS SPECIFIED)		DIMENSION STYLE <b>MM ONLY</b>		SCALE NTS	DESIGN UNITS METRIC	THIRD ANGLE PROJECTION			
		4 PLACES ± --- ± --- 3 PLACES ± --- ± --- 2 PLACES ± 0.20 ± --- 1 PLACE ± --- ± ---	mm      INCH	DRAWN BY YLQ1A0	DATE 2004/11/17	TITLE <b>CUSTOM HEADER          2.54MM PITCH, SINGLE ROW          SINGLE WAFER, T/H HEADER</b>					
		ANGULAR ± 3 °		CHECKED BY PTL IM	DATE 2004/12/01	MOLEX INCORPORATED					
		DRAFT WHERE APPLICABLE MUST REMAIN WITHIN DIMENSIONS		APPROVED BY SCLOW	DATE 2004/12/06	MATERIAL NO. <b>SEE TABLE</b>	DOCUMENT NO. <b>SD-87891-013</b>	SHEET NO. <b>3 OF 8</b>			

PACKAGING OPTION PART NO.										PACKAGING OPTION PART NO.											
TRAY	BULK	TUBE WITHOUT CAP	CKT SIZE	VOID POSITION	PLATING TYPE	DIMENSION					TRAY	BULK	TUBE WITHOUT CAP	CKT SIZE	VOID POSITION	PLATING TYPE	DIMENSION				
						A	B	F	M	P							A	B	F	M	P
87891-1301	-----	-----	13	-----	1	33.02	30.48	11.30	5.84	2.97	87891-1601	-----	-----	16	-----	1	40.64	38.10	11.30	5.84	2.97
87891-1302	-----	-----	13	-----	2	33.02	30.48	11.30	5.84	2.97	87891-1602	-----	-----	16	-----	2	40.64	38.10	11.30	5.84	2.97
87891-1303	-----	-----	13	-----	3	33.02	30.48	11.30	5.84	2.97	87891-1603	-----	-----	16	-----	3	40.64	38.10	11.30	5.84	2.97
87891-1304	-----	-----	13	-----	4	33.02	30.48	11.30	5.84	2.97	87891-1604	-----	-----	16	-----	4	40.64	38.10	11.30	5.84	2.97
87891-1305	-----	-----	13	-----	5	33.02	30.48	11.30	5.84	2.97	87891-1605	-----	-----	16	-----	5	40.64	38.10	11.30	5.84	2.97
87891-1306	-----	-----	13	-----	6	33.02	30.48	11.30	5.84	2.97	87891-1606	-----	-----	16	-----	6	40.64	38.10	11.30	5.84	2.97
87891-1401	-----	-----	14	-----	1	35.56	33.02	11.30	5.84	2.97	87891-1701	-----	-----	17	-----	1	43.18	40.64	11.30	5.84	2.97
87891-1402	-----	-----	14	-----	2	35.56	33.02	11.30	5.84	2.97	87891-1702	-----	-----	17	-----	2	43.18	40.64	11.30	5.84	2.97
87891-1403	-----	-----	14	-----	3	35.56	33.02	11.30	5.84	2.97	87891-1703	-----	-----	17	-----	3	43.18	40.64	11.30	5.84	2.97
87891-1404	-----	-----	14	-----	4	35.56	33.02	11.30	5.84	2.97	87891-1704	-----	-----	17	-----	4	43.18	40.64	11.30	5.84	2.97
87891-1405	-----	-----	14	-----	5	35.56	33.02	11.30	5.84	2.97	87891-1705	-----	-----	17	-----	5	43.18	40.64	11.30	5.84	2.97
87891-1406	-----	-----	14	-----	6	35.56	33.02	11.30	5.84	2.97	87891-1706	-----	-----	17	-----	6	43.18	40.64	11.30	5.84	2.97
87891-1501	-----	-----	15	-----	1	38.10	35.56	11.30	5.84	2.97	87891-1801	-----	-----	18	-----	1	45.72	43.18	11.30	5.84	2.97
87891-1502	-----	-----	15	-----	2	38.10	35.56	11.30	5.84	2.97	87891-1802	-----	-----	18	-----	2	45.72	43.18	11.30	5.84	2.97
87891-1503	-----	-----	15	-----	3	38.10	35.56	11.30	5.84	2.97	87891-1803	-----	-----	18	-----	3	45.72	43.18	11.30	5.84	2.97
87891-1504	-----	-----	15	-----	4	38.10	35.56	11.30	5.84	2.97	87891-1804	-----	-----	18	-----	4	45.72	43.18	11.30	5.84	2.97
87891-1505	-----	-----	15	-----	5	38.10	35.56	11.30	5.84	2.97	87891-1805	-----	-----	18	-----	5	45.72	43.18	11.30	5.84	2.97
87891-1506	-----	-----	15	-----	6	38.10	35.56	11.30	5.84	2.97	87891-1806	-----	-----	18	-----	6	45.72	43.18	11.30	5.84	2.97

<b>EWR# 1023</b> EC NO: S2007-0289 DRWNS:KLI M01 2006/09/29 CHKD:CWJAM 2006/09/29 APPR:KWLEE 2006/09/30	QUALITY SYMBOLS =0 =0	GENERAL TOLERANCES (UNLESS SPECIFIED)	DIMENSION STYLE <b>MM ONLY</b>	SCALE NTS	DESIGN UNITS METRIC	THIRD ANGLE PROJECTION																
		<table border="1"> <tr><th></th><th>mm</th><th>INCH</th></tr> <tr><td>4 PLACES</td><td>± ---</td><td>± ---</td></tr> <tr><td>3 PLACES</td><td>± ---</td><td>± ---</td></tr> <tr><td>2 PLACES</td><td>± 0.20</td><td>± ---</td></tr> <tr><td>1 PLACE</td><td>± ---</td><td>± ---</td></tr> </table>		mm	INCH	4 PLACES	± ---	± ---	3 PLACES	± ---	± ---	2 PLACES	± 0.20	± ---	1 PLACE	± ---	± ---	DRAWN BY YLQIAO	DATE 2004/11/17	TITLE <b>CUSTOM HEADER          2.54MM PITCH, SINGLE ROW          SINGLE WAFER, T/H HEADER</b>		
			mm	INCH																		
		4 PLACES	± ---	± ---																		
3 PLACES	± ---	± ---																				
2 PLACES	± 0.20	± ---																				
1 PLACE	± ---	± ---																				
ANGULAR ± 3 °	CHECKED BY PTL IM	DATE 2004/12/01	MOLEX INCORPORATED																			
DRAFT WHERE APPLICABLE MUST REMAIN WITHIN DIMENSIONS	APPROVED BY SCLOW	DATE 2004/12/06	MATERIAL NO. <b>SEE TABLE</b>	DOCUMENT NO. <b>SD-87891-013</b>	SHEET NO. <b>4 OF 8</b>																	

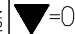
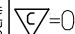
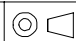
PACKAGING OPTION PART NO.		CKT SIZE	VOID POSITION	PLATING TYPE	DIMENSION					PACKAGING OPTION PART NO.		CKT SIZE	VOID POSITION	PLATING TYPE	DIMENSION							
TRAY	BULK				TUBE WITHOUT CAP	A	B	F	M	P	TRAY				BULK	TUBE WITHOUT CAP	A	B	F	M	P	
F	87891-1901	-----	-----	19	----	1	48.26	45.72	11.30	5.84	2.97	87891-2201	-----	-----	22	----	1	55.88	53.34	11.30	5.84	2.97
	87891-1902	-----	-----	19	----	2	48.26	45.72	11.30	5.84	2.97	87891-2202	-----	-----	22	----	2	55.88	53.34	11.30	5.84	2.97
	87891-1903	-----	-----	19	----	3	48.26	45.72	11.30	5.84	2.97	87891-2203	-----	-----	22	----	3	55.88	53.34	11.30	5.84	2.97
	87891-1904	-----	-----	19	----	4	48.26	45.72	11.30	5.84	2.97	87891-2204	-----	-----	22	----	4	55.88	53.34	11.30	5.84	2.97
	87891-1905	-----	-----	19	----	5	48.26	45.72	11.30	5.84	2.97	87891-2205	-----	-----	22	----	5	55.88	53.34	11.30	5.84	2.97
	87891-1906	-----	-----	19	----	6	48.26	45.72	11.30	5.84	2.97	87891-2206	-----	-----	22	----	6	55.88	53.34	11.30	5.84	2.97
E																						
	87891-2001	-----	-----	20	----	1	50.80	48.26	11.30	5.84	2.97	87891-2301	-----	-----	23	----	1	58.42	55.88	11.30	5.84	2.97
	87891-2002	-----	-----	20	----	2	50.80	48.26	11.30	5.84	2.97	87891-2302	-----	-----	23	----	2	58.42	55.88	11.30	5.84	2.97
	87891-2003	-----	-----	20	----	3	50.80	48.26	11.30	5.84	2.97	87891-2303	-----	-----	23	----	3	58.42	55.88	11.30	5.84	2.97
	87891-2004	-----	-----	20	----	4	50.80	48.26	11.30	5.84	2.97	87891-2304	-----	-----	23	----	4	58.42	55.88	11.30	5.84	2.97
D	87891-2005	-----	-----	20	----	5	50.80	48.26	11.30	5.84	2.97	87891-2305	-----	-----	23	----	5	58.42	55.88	11.30	5.84	2.97
	87891-2006	-----	-----	20	----	6	50.80	48.26	11.30	5.84	2.97	87891-2306	-----	-----	23	----	6	58.42	55.88	11.30	5.84	2.97
	87891-2101	-----	-----	21	----	1	53.34	50.80	11.30	5.84	2.97	87891-2401	-----	-----	24	----	1	60.96	58.42	11.30	5.84	2.97
	87891-2102	-----	-----	21	----	2	53.34	50.80	11.30	5.84	2.97	87891-2402	-----	-----	24	----	2	60.96	58.42	11.30	5.84	2.97
C	87891-2103	-----	-----	21	----	3	53.34	50.80	11.30	5.84	2.97	87891-2403	-----	-----	24	----	3	60.96	58.42	11.30	5.84	2.97
	87891-2104	-----	-----	21	----	4	53.34	50.80	11.30	5.84	2.97	87891-2404	-----	-----	24	----	4	60.96	58.42	11.30	5.84	2.97
	87891-2105	-----	-----	21	----	5	53.34	50.80	11.30	5.84	2.97	87891-2405	-----	-----	24	----	5	60.96	58.42	11.30	5.84	2.97
	87891-2106	-----	-----	21	----	6	53.34	50.80	11.30	5.84	2.97	87891-2406	-----	-----	24	----	6	60.96	58.42	11.30	5.84	2.97
B																						

<b>EWB# 1023</b> EC NO: S2007-0289 DRWNS:SKLIM01 2006/09/29 CHKD:CWJAM 2006/09/29 APPR:KWLEE 2006/09/30	QUALITY SYMBOLS ▽=0 ▽=0	GENERAL TOLERANCES (UNLESS SPECIFIED)		DIMENSION STYLE <b>MM ONLY</b>		SCALE NTS	DESIGN UNITS METRIC	THIRD ANGLE PROJECTION	
		4 PLACES ± --- ± --- 3 PLACES ± --- ± --- 2 PLACES ± 0.20 ± --- 1 PLACE ± --- ± ---	mm      INCH	DRAWN BY YLQ1A0	DATE 2004/11/17	TITLE <b>CUSTOM HEADER          2.54MM PITCH, SINGLE ROW          SINGLE WAFER, T/H HEADER</b>			
		ANGULAR ± 3 °		CHECKED BY PTL IM	DATE 2004/12/01	MOLEX INCORPORATED			
		DRAFT WHERE APPLICABLE MUST REMAIN WITHIN DIMENSIONS		APPROVED BY SCLOW	DATE 2004/12/06	MATERIAL NO. <b>SEE TABLE</b>	DOCUMENT NO. <b>SD-87891-013</b>		
				SHEET NO. <b>5 OF 8</b>					

PACKAGING OPTION PART NO.										PACKAGING OPTION PART NO.												
TRAY	BULK	TUBE WITHOUT CAP	CKT SIZE	VOID POSITION	PLATING TYPE	DIMENSION					TRAY	BULK	TUBE WITHOUT CAP	CKT SIZE	VOID POSITION	PLATING TYPE	DIMENSION					
						A	B	F	M	P							A	B	F	M	P	
F	87891-2501	-----	-----	25	----	1	63.50	60.96	11.30	5.84	2.97	-----	87891-2801	-----	28	----	1	71.12	68.58	11.30	5.84	2.97
	87891-2502	-----	-----	25	----	2	63.50	60.96	11.30	5.84	2.97	-----	87891-2802	-----	28	----	2	71.12	68.58	11.30	5.84	2.97
	87891-2503	-----	-----	25	----	3	63.50	60.96	11.30	5.84	2.97	-----	87891-2803	-----	28	----	3	71.12	68.58	11.30	5.84	2.97
	87891-2504	-----	-----	25	----	4	63.50	60.96	11.30	5.84	2.97	-----	87891-2804	-----	28	----	4	71.12	68.58	11.30	5.84	2.97
	87891-2505	-----	-----	25	----	5	63.50	60.96	11.30	5.84	2.97	-----	87891-2805	-----	28	----	5	71.12	68.58	11.30	5.84	2.97
	87891-2506	-----	-----	25	----	6	63.50	60.96	11.30	5.84	2.97	-----	87891-2806	-----	28	----	6	71.12	68.58	11.30	5.84	2.97
E																						
	-----	87891-2611	-----	26	----	1	66.04	63.50	11.30	5.84	2.97	-----	87891-2901	-----	29	----	1	73.66	71.12	11.30	5.84	2.97
	-----	87891-2602	-----	26	----	2	66.04	63.50	11.30	5.84	2.97	-----	87891-2902	-----	29	----	2	73.66	71.12	11.30	5.84	2.97
	-----	87891-2603	-----	26	----	3	66.04	63.50	11.30	5.84	2.97	-----	87891-2903	-----	29	----	3	73.66	71.12	11.30	5.84	2.97
	-----	87891-2604	-----	26	----	4	66.04	63.50	11.30	5.84	2.97	-----	87891-2904	-----	29	----	4	73.66	71.12	11.30	5.84	2.97
D	-----	87891-2605	-----	26	----	5	66.04	63.50	11.30	5.84	2.97	-----	87891-2905	-----	29	----	5	73.66	71.12	11.30	5.84	2.97
	-----	87891-2606	-----	26	----	6	66.04	63.50	11.30	5.84	2.97	-----	87891-2906	-----	29	----	6	73.66	71.12	11.30	5.84	2.97
	-----	87891-2701	-----	27	----	1	68.58	66.04	11.30	5.84	2.97	-----	87891-3001	-----	30	----	1	76.20	73.66	11.30	5.84	2.97
	-----	87891-2702	-----	27	----	2	68.58	66.04	11.30	5.84	2.97	-----	87891-3002	-----	30	----	2	76.20	73.66	11.30	5.84	2.97
C	-----	87891-2703	-----	27	----	3	68.58	66.04	11.30	5.84	2.97	-----	87891-3003	-----	30	----	3	76.20	73.66	11.30	5.84	2.97
	-----	87891-2704	-----	27	----	4	68.58	66.04	11.30	5.84	2.97	-----	87891-3004	-----	30	----	4	76.20	73.66	11.30	5.84	2.97
	-----	87891-2705	-----	27	----	5	68.58	66.04	11.30	5.84	2.97	-----	87891-3005	-----	30	----	5	76.20	73.66	11.30	5.84	2.97
	-----	87891-2706	-----	27	----	6	68.58	66.04	11.30	5.84	2.97	-----	87891-3006	-----	30	----	6	76.20	73.66	11.30	5.84	2.97
B																						

<b>EWR# 1023</b> EC NO: S2007-0289 DRWNS:KLI M01 2006/09/29 CHKD:CWJAM 2006/09/29 APPR:KWLEE 2006/09/30	QUALITY SYMBOLS =0 =0	GENERAL TOLERANCES (UNLESS SPECIFIED)		DIMENSION STYLE <b>MM ONLY</b>		SCALE NTS	DESIGN UNITS METRIC	THIRD ANGLE PROJECTION			
		4 PLACES ± --- ± --- 3 PLACES ± --- ± --- 2 PLACES ± 0.20 ± --- 1 PLACE ± --- ± ---	mm      INCH	DRAWN BY YLQ1A0	DATE 2004/11/17	TITLE <b>CUSTOM HEADER          2.54MM PITCH, SINGLE ROW          SINGLE WAFER, T/H HEADER</b>					
		ANGULAR ± 3 °		APPROVED BY SCLW	DATE 2004/12/06	<b>MOLEX INCORPORATED</b>					
		DRAFT WHERE APPLICABLE MUST REMAIN WITHIN DIMENSIONS		MATERIAL NO. <b>SEE TABLE</b>		DOCUMENT NO. <b>SD-87891-013</b>		SHEET NO. <b>6 OF 8</b>			

PACKAGING OPTION PART NO.		TRAY	BULK	TUBE WITHOUT CAP	CKT SIZE	VOID POSITION	PLATING TYPE	DIMENSION					PACKAGING OPTION PART NO.		TRAY	BULK	TUBE WITHOUT CAP	CKT SIZE	VOID POSITION	PLATING TYPE	DIMENSION				
								A	B	F	M	P									A	B	F	M	P
F	-----	87891-3101	-----	31	-----	1	78.74	76.20	11.30	5.84	2.97	-----	87891-3401	-----	34	-----	1	86.36	83.82	11.30	5.84	2.97	F		
	-----	87891-3102	-----	31	-----	2	78.74	76.20	11.30	5.84	2.97	-----	87891-3402	-----	34	-----	2	86.36	83.82	11.30	5.84	2.97			
	-----	87891-3103	-----	31	-----	3	78.74	76.20	11.30	5.84	2.97	-----	87891-3403	-----	34	-----	3	86.36	83.82	11.30	5.84	2.97			
	-----	87891-3104	-----	31	-----	4	78.74	76.20	11.30	5.84	2.97	-----	87891-3404	-----	34	-----	4	86.36	83.82	11.30	5.84	2.97			
	-----	87891-3105	-----	31	-----	5	78.74	76.20	11.30	5.84	2.97	-----	87891-3405	-----	34	-----	5	86.36	83.82	11.30	5.84	2.97			
	-----	87891-3106	-----	31	-----	6	78.74	76.20	11.30	5.84	2.97	-----	87891-3406	-----	34	-----	6	86.36	83.82	11.30	5.84	2.97			
E																							E		
	-----	87891-3201	-----	32	-----	1	81.28	78.74	11.30	5.84	2.97	-----	87891-3501	-----	35	-----	1	88.90	86.36	11.30	5.84	2.97			
	-----	87891-3202	-----	32	-----	2	81.28	78.74	11.30	5.84	2.97	-----	87891-3502	-----	35	-----	2	88.90	86.36	11.30	5.84	2.97			
	-----	87891-3203	-----	32	-----	3	81.28	78.74	11.30	5.84	2.97	-----	87891-3503	-----	35	-----	3	88.90	86.36	11.30	5.84	2.97			
	-----	87891-3204	-----	32	-----	4	81.28	78.74	11.30	5.84	2.97	-----	87891-3504	-----	35	-----	4	88.90	86.36	11.30	5.84	2.97			
D	-----	87891-3205	-----	32	-----	5	81.28	78.74	11.30	5.84	2.97	-----	87891-3505	-----	35	-----	5	88.90	86.36	11.30	5.84	2.97	D		
	-----	87891-3206	-----	32	-----	6	81.28	78.74	11.30	5.84	2.97	-----	87891-3506	-----	35	-----	6	88.90	86.36	11.30	5.84	2.97			
	-----	87891-3301	-----	33	-----	1	83.82	81.28	11.30	5.84	2.97	-----	87891-3611	-----	36	-----	1	91.44	88.90	11.30	5.84	2.97			
	-----	87891-3302	-----	33	-----	2	83.82	81.28	11.30	5.84	2.97	-----	87891-3602	-----	36	-----	2	91.44	88.90	11.30	5.84	2.97			
C	-----	87891-3303	-----	33	-----	3	83.82	81.28	11.30	5.84	2.97	-----	87891-3603	-----	36	-----	3	91.44	88.90	11.30	5.84	2.97	C		
	-----	87891-3304	-----	33	-----	4	83.82	81.28	11.30	5.84	2.97	-----	87891-3604	-----	36	-----	4	91.44	88.90	11.30	5.84	2.97			
	-----	87891-3305	-----	33	-----	5	83.82	81.28	11.30	5.84	2.97	-----	87891-3605	-----	36	-----	5	91.44	88.90	11.30	5.84	2.97			
	-----	87891-3306	-----	33	-----	6	83.82	81.28	11.30	5.84	2.97	-----	87891-3606	-----	36	-----	6	91.44	88.90	11.30	5.84	2.97			
B																							B		

<b>EWB# 1023</b> EC NO: S2007-0289 DRWNS:KLI M01 2006/09/29 CHKD:CWJAM 2006/09/29 APPR:KWLEE 2006/09/30	QUALITY SYMBOLS  = 0  = 0.20	GENERAL TOLERANCES (UNLESS SPECIFIED)		DIMENSION STYLE <b>MM ONLY</b>		SCALE NTS	DESIGN UNITS METRIC	 THIRD ANGLE PROJECTION			
		4 PLACES ± --- ± --- 3 PLACES ± --- ± --- 2 PLACES ± 0.20 ± --- 1 PLACE ± --- ± ---	mm      INCH	DRAWN BY YLQIAO	DATE 2004/11/17	TITLE <b>CUSTOM HEADER          2.54MM PITCH, SINGLE ROW          SINGLE WAFER, T/H HEADER</b>					
		ANGULAR ± 3 °		CHECKED BY PTL IM	DATE 2004/12/01	MOLEX INCORPORATED					
		DRAFT WHERE APPLICABLE MUST REMAIN WITHIN DIMENSIONS		APPROVED BY SCLOW	DATE 2004/12/06	MATERIAL NO. <b>SEE TABLE</b>	DOCUMENT NO. <b>SD-87891-013</b>	SHEET NO. <b>7 OF 8</b>			

PACKAGING OPTION PART NO.										PACKAGING OPTION PART NO.												
TRAY	BULK	TUBE WITHOUT CAP	CKT SIZE	VOID POSITION	PLATING TYPE	DIMENSION					TRAY	BULK	TUBE WITHOUT CAP	CKT SIZE	VOID POSITION	PLATING TYPE	DIMENSION					
						A	B	F	M	P							A	B	F	M	P	
F	-----	87891-3701	-----	37	----	1	93.98	91.44	11.30	5.84	2.97	-----	87891-4001	-----	40	----	1	101.60	99.06	11.30	5.84	2.97
	-----	87891-3702	-----	37	----	2	93.98	91.44	11.30	5.84	2.97	-----	87891-4002	-----	40	----	2	101.60	99.06	11.30	5.84	2.97
	-----	87891-3703	-----	37	----	3	93.98	91.44	11.30	5.84	2.97	-----	87891-4003	-----	40	----	3	101.60	99.06	11.30	5.84	2.97
	-----	87891-3704	-----	37	----	4	93.98	91.44	11.30	5.84	2.97	-----	87891-4004	-----	40	----	4	101.60	99.06	11.30	5.84	2.97
	-----	87891-3705	-----	37	----	5	93.98	91.44	11.30	5.84	2.97	-----	87891-4005	-----	40	----	5	101.60	99.06	11.30	5.84	2.97
	-----	87891-3706	-----	37	----	6	93.98	91.44	11.30	5.84	2.97	-----	87891-4006	-----	40	----	6	101.60	99.06	11.30	5.84	2.97
E																						
	-----	87891-3801	-----	38	----	1	96.52	93.98	11.30	5.84	2.97											
	-----	87891-3802	-----	38	----	2	96.52	93.98	11.30	5.84	2.97											
	-----	87891-3803	-----	38	----	3	96.52	93.98	11.30	5.84	2.97											
	-----	87891-3804	-----	38	----	4	96.52	93.98	11.30	5.84	2.97											
D	-----	87891-3805	-----	38	----	5	96.52	93.98	11.30	5.84	2.97											
	-----	87891-3806	-----	38	----	6	96.52	93.98	11.30	5.84	2.97											
	-----	87891-3901	-----	39	----	1	99.06	96.52	11.30	5.84	2.97											
	-----	87891-3902	-----	39	----	2	99.06	96.52	11.30	5.84	2.97											
C	-----	87891-3903	-----	39	----	3	99.06	96.52	11.30	5.84	2.97											
	-----	87891-3904	-----	39	----	4	99.06	96.52	11.30	5.84	2.97											
	-----	87891-3905	-----	39	----	5	99.06	96.52	11.30	5.84	2.97											
	-----	87891-3906	-----	39	----	6	99.06	96.52	11.30	5.84	2.97											
B																						

<b>EWB# 1023</b> EC NO: S2007-0289 DRWNS:KLI M01 CHKD:CWAM APPR:KWLEE	2006/09/29 2006/09/29 2006/09/30	QUALITY SYMBOLS ▽=0 ▽=0	GENERAL TOLERANCES (UNLESS SPECIFIED)		DIMENSION STYLE <b>MM ONLY</b>		SCALE NTS	DESIGN UNITS METRIC	THIRD ANGLE PROJECTION			
			4 PLACES ± --- ± --- 3 PLACES ± --- ± --- 2 PLACES ± 0.20 ± --- 1 PLACE ± --- ± ---		mm INCH		DRAWN BY YLQ1A0		DATE 2004/11/17		TITLE <b>CUSTOM HEADER          2.54MM PITCH, SINGLE ROW          SINGLE WAFER, T/H HEADER</b>	
			ANGULAR ± 3 °		APPROVED BY SCLW		DATE 2004/12/06		MOLEX INCORPORATED		SHEET NO. 8 OF 8	
			DRAFT WHERE APPLICABLE MUST REMAIN WITHIN DIMENSIONS		SEE TABLE		MATERIAL NO. SCLW		DOCUMENT NO. SD-87891-013		THIS DRAWING CONTAINS INFORMATION THAT IS PROPRIETARY TO MOLEX INCORPORATED AND SHOULD NOT BE USED WITHOUT WRITTEN PERMISSION	