

Customer Information Sheet

DRAWING No.: S1811-46R

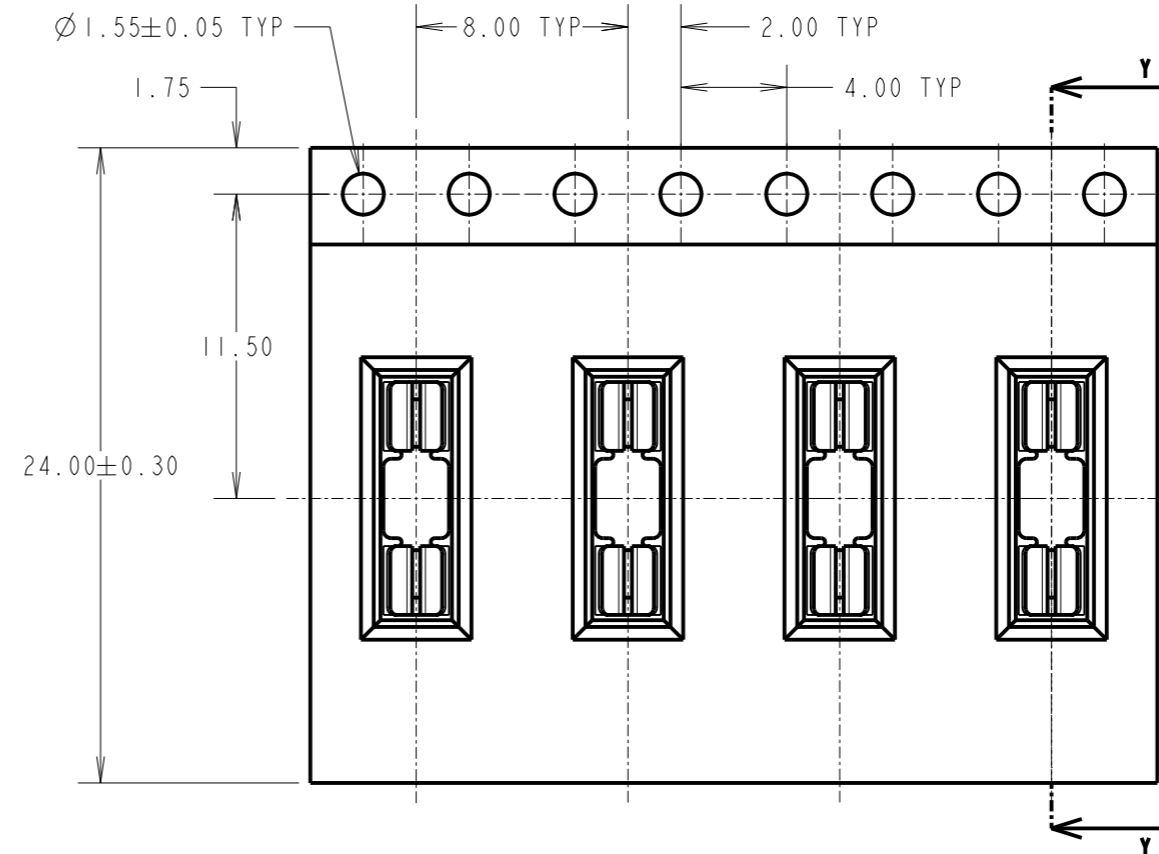
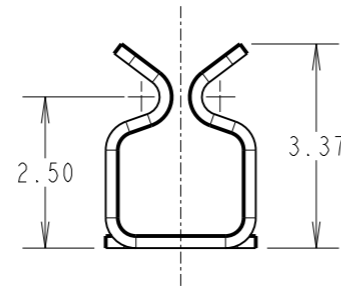
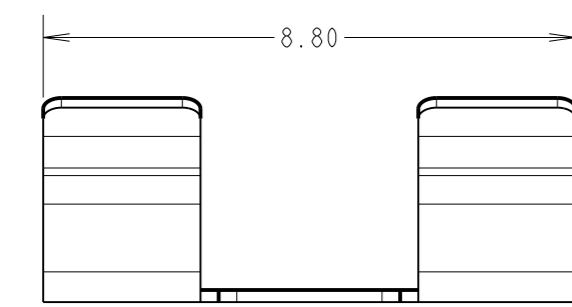
IF IN DOUBT - ASK

©

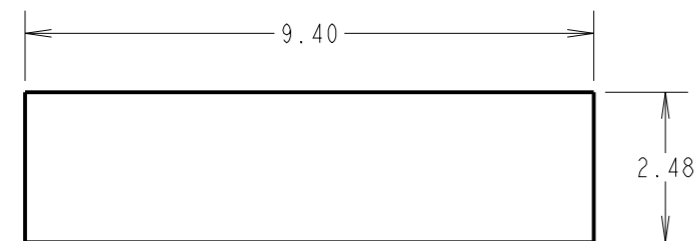
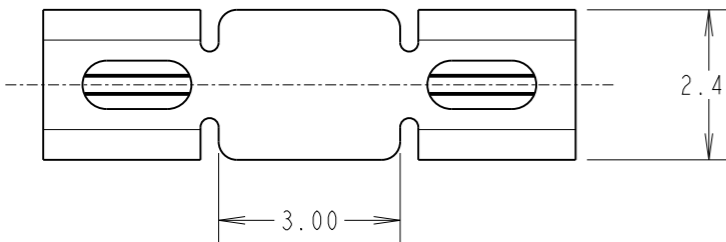
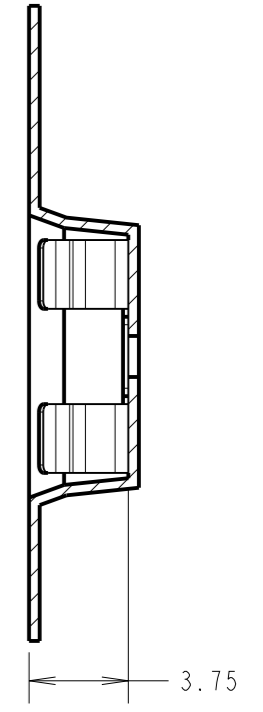
NOT TO SCALE

THIRD ANGLE PROJECTION

ALL DIMENSIONS IN mm



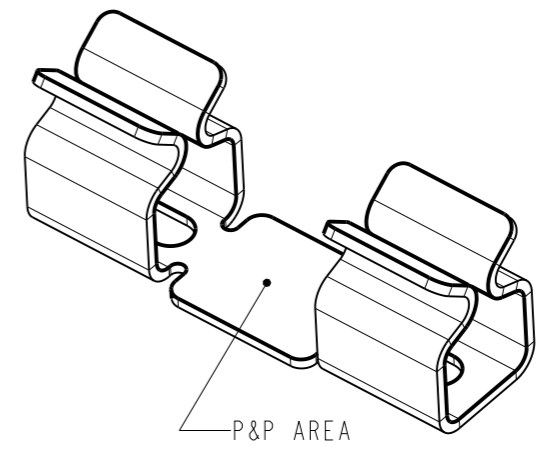
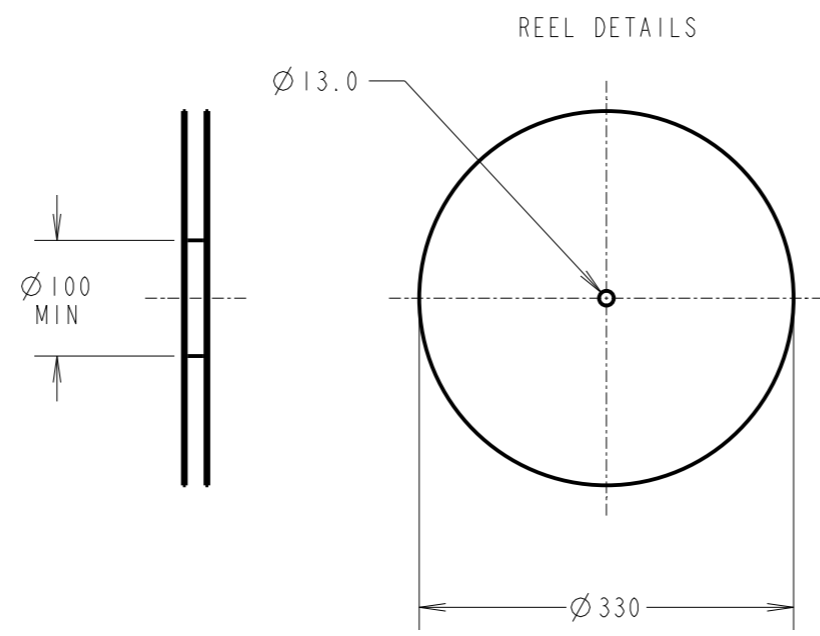
SECTION Y-Y



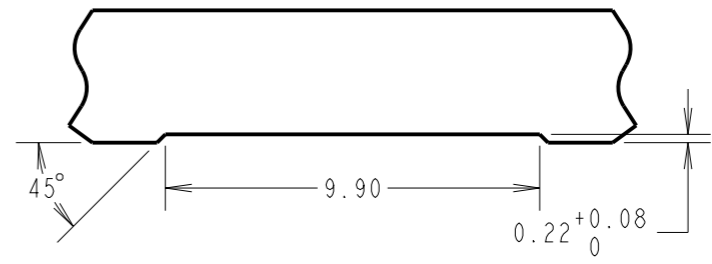
RECOMMENDED PAD LAYOUT
(TOLERANCE ± 0.05mm)

COMPONENT SPECIFICATION:
 MATERIAL = BERYLLIUM COPPER
 FINISH = 100% BRIGHT TIN, OVER NICKEL.
 ENVIRONMENTAL:
 OPERATING TEMPERATURE = -40°C TO +125°C

PERFORMANCE SPECIFICATIONS:
 INSERTION FORCE (BEFORE CONDITIONING):
 0.40mm SHIELD CAN = 1.5-8N
 0.50mm SHIELD CAN = 5-22N
 0.60mm SHIELD CAN = 8-28N
 WITHDRAWAL FORCE = 0.5N MIN
 DURABILITY = 20 OPERATIONS MINIMUM
 SHIELD THICKNESS = 0.40mm - 0.60mm



RECOMMENDED SHIELD
CAN CUT OUT



AB	1	28.02.23	32323
NAME	ISS.	DATE	CN/CO
APPROVED: R.PORTLOCK			
CHECKED: S.BENNETT			
DRAWN: R.ALEXANDER			
CUSTOMER REF.:			
ASSEMBLY DRG:			

NOTES:
 1. QUANTITY PER REEL = 2,000.
 2. THIS PRODUCT IS TAPED AND REELED IN ACCORDANCE WITH EIA-481 (ELECTRONIC INDUSTRIES ASSOCIATION).

 www.harwin.com technical@harwin.com	THIS DRAWING AND ANY INFORMATION OR DESCRIPTIVE MATTER SET OUT HEREON ARE CONFIDENTIAL AND COPYRIGHT PROPERTY OF THE HARWIN GROUP AND MUST NOT BE DISCLOSED, LOANED, COPIED OR USED FOR MANUFACTURING, TENDERING OR FOR ANY OTHER PURPOSE WITHOUT THEIR WRITTEN PERMISSION.	TOLERANCES	MATERIAL:	TITLE:
		X. = ±1mm X.X = ±0.50mm X.XX = ±0.20mm X.XXX = ±0.01mm ANGLES = ±5° UNLESS STATED	SEE ABOVE	SMT RFI 0.5mm SHIELD CLIP IN TAPE AND REEL
			FINISH: SEE ABOVE	DRAWING NUMBER:
			S/AREA: mm ²	S1811-46R
				SHT 4 OF 4