

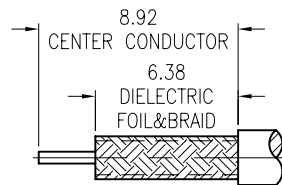
NOTES:

- MATERIALS AND FINISHES
 BODIES - BRASS, NICKEL PLATING
 FEMALE CONTACT - PHOSPHOR BRONZE, GOLD PLATING
 MALE CONTACT - BRASS, GOLD PLATING
 CRIMP FERRULE - BRASS, NICKEL PLATING
 INSULATOR - PTFE
 O-RING & GASKET - SILICONE
- ELECTRICAL:
 A. FREQUENCY RANGE: DC 0-3 GHz
 B. VSWR(RETURN LOSS): 1.25 (-19.1 dB), MAX.
- MECHANICAL:
 WATER PROTECTION IN UNMATED CONDITION PET IEC 529,IP67
 CONTINUOUS OPERATING TEMPERATURE: -40°C TO + 85°C
- INTERFACE MEETS THE REQUIREMENTS OF MIL-STD-348.
 TNC SERIES, STANDARD POLARITY
- CABLE ASSEMBLY INSTRUCTIONS:
 TRIM CABLE AS SHOWN
 SLIDE CRIMP FERRULE ONTO CABLE
 CRIMP OR SOLDER BULLET CONTACT TO CABLE CENTER CONDUCTOR
 INSERT CABLE WITH BULLET CONTACT INTO REAR FERRULE BODY
 SLIDING FOIL INTO THE BODY AND THE BRAID OVER THE BODY
 CRIMP FERRULE USING A .178 HEX DIE

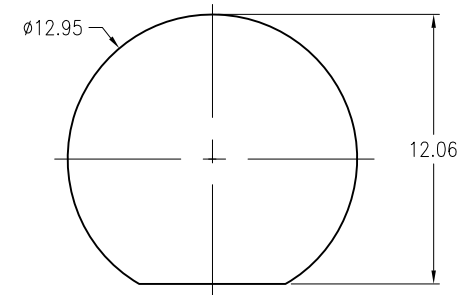
THIRD ANGLE PROJ.

REVISIONS

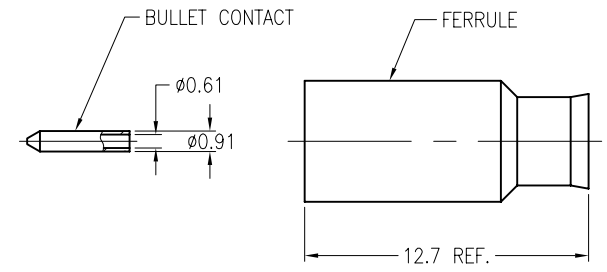
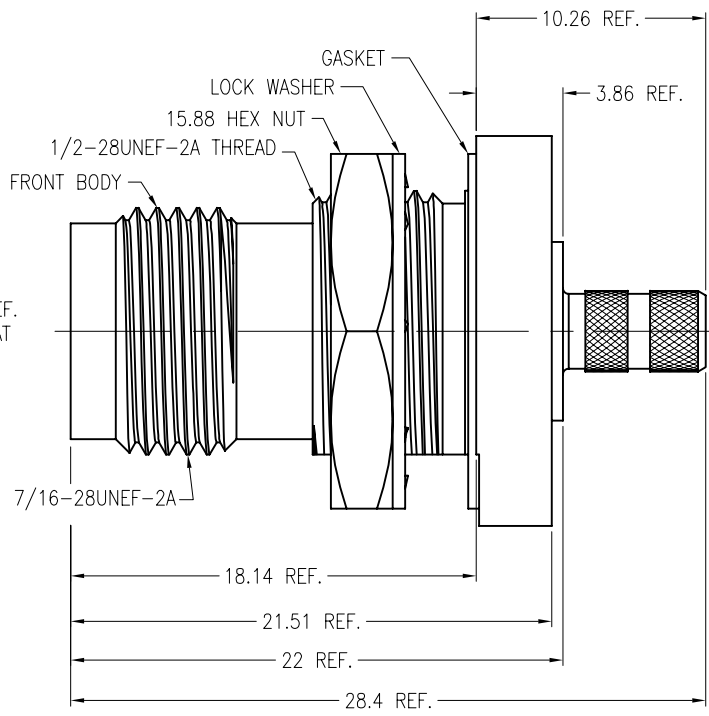
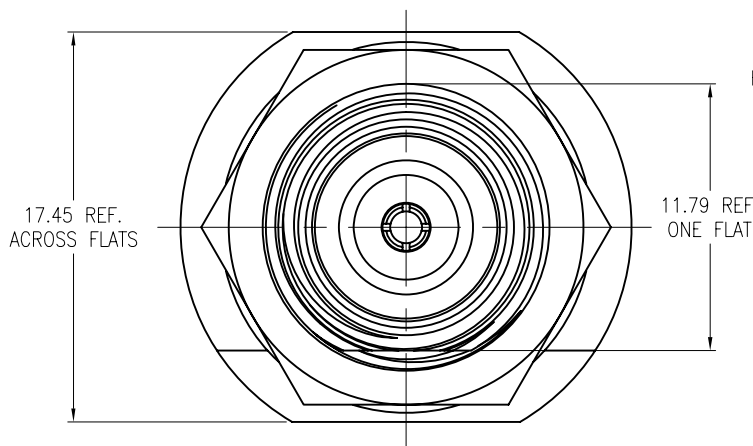
REV	DESCRIPTION	DATE	ECO	APPR
A	RELEASE TO MFG.	22-Jun-06		
A2	SEE SHEET 1	17-Sep-08		SH
E	SEE SHEET 1	27-Oct-09	47847	SH



RECOMMENDED
CABLE STRIPPING DIM'S



RECOMMENDED
MOUNTING HOLE



CUSTOMER OUTLINE DRAWING

ALL OTHER SHEETS ARE FOR INTERNAL USE ONLY

UNLESS OTHERWISE SPECIFIED, DIMENSIONS ARE IN METRIC AND TOLERANCES ARE: 0.5 - 6mm ±0.1mm 6 - 30mm ±0.2mm 30 - 120mm ±0.3mm ANGLES ±1'	MATERIAL	DRAWN S.HE	DATE 21-Oct-09	TITLE TNC JACK, SEALED BULKHEAD (FOR RG-174 AND RG316 CABLE)	Amphenol RF Danbury CT USA, Tainan Taiwan, Shenzhen China www.amphenolrf.com		
	REFERENCE EAR 954 611X-4124-100 GEN#ASSYF37_TNC	ENGINEER MIKE HOYACK	DATE 08-Aug-02	APPROVED S.HSIEH	SCALE: 3/1	SHEET 2 OF 2	DRAWING NO. 31-6111
NOTICE - These drawings, specifications, or other data (1) are, and remain the property of Amphenol Corp. (2) must be returned upon request; and (3) are confidential and not to be disclosed to any person other than those to whom they are given by Amphenol Corp. The furnishing of these drawings, specifications, or other data by Amphenol Corp., or to any other person to anyone for any purpose is not to be regarded by implication or otherwise in any manner licensing, granting rights or permitting such holder or any other person to manufacture, use or sell any product, process or design, patented or otherwise, that may in any way be related to or disclosed by said drawings, specifications, or other data.	FINISH	CAD FILE F:\DWG\CNPD\31\6111-ESZ	DATE 21-Oct-09	DWG SIZE B	CODE ID 74868	REV E	ITEM NO. 31-6111
							PART NO. 31-6111