



Slide Beam0824-048-Blue (Pair)

SKU: 60010 Weight: 21.00 Gram

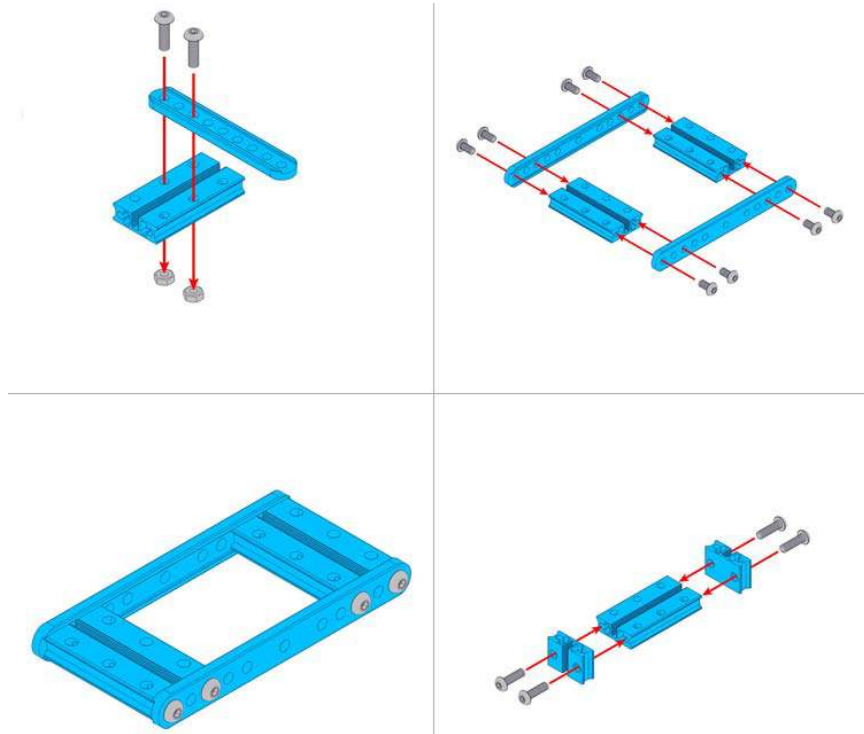
What Is Slide Beam0824-048?

Slide Beam0824-048 is a frequently-used mechanical part of Makeblock platform, and also compatibles with most Makeblock mechanical components. There are various mounting holes and a threaded slot on the plane of this beam which allow you to assemble on other structures easily.

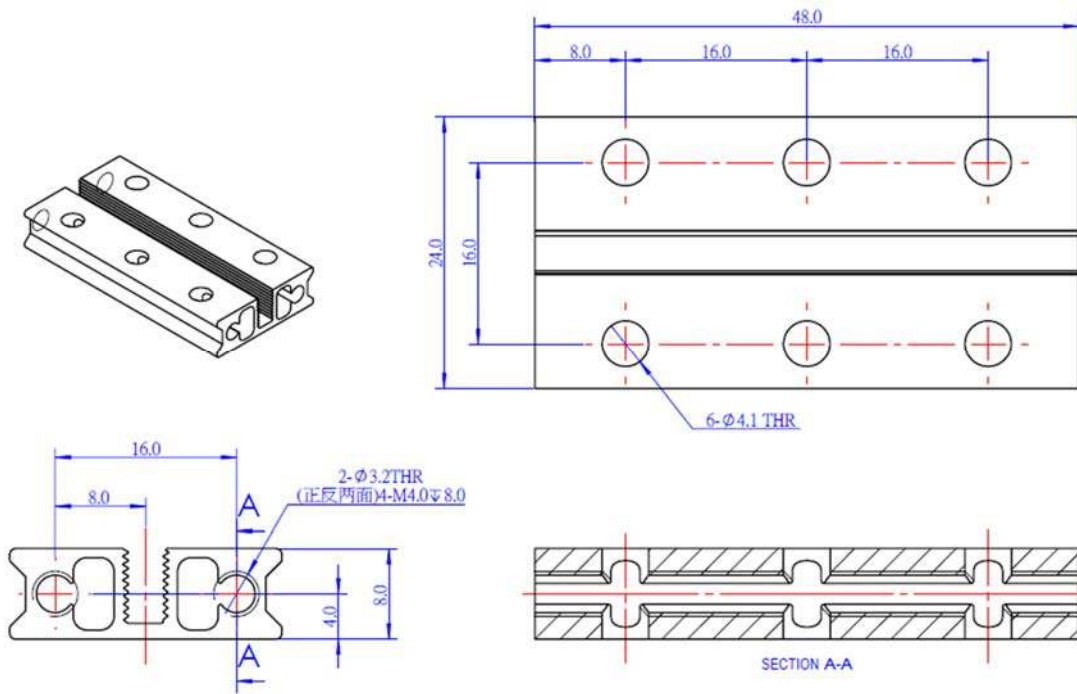
Features

- ? Made from heavy-duty 6061 aluminum extrusion
- ? With holes on 16mm increments, and M4 threaded holes on both ends
- ? Cross-section area 8x24mm, length 48mm
- ? High wear resistance and high intensity
- ? Strong rigidity

DEMO



Size Charts

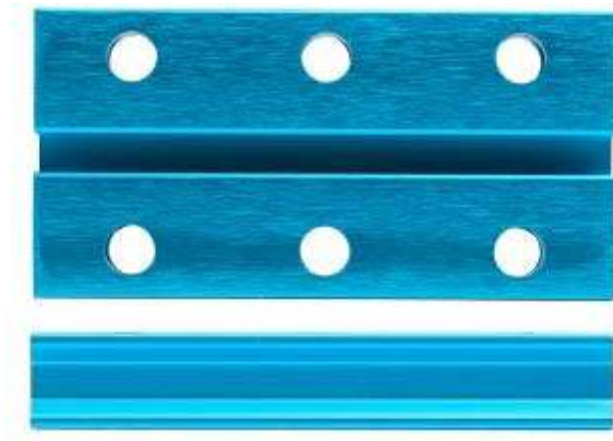


Specifications

SKU	60010
Product Name	Slide Beam0824-048-Blue (Pair)
Length	48mm
Cross-section Area	8 x 24mm
Gross Weight	21g (0.74oz)
Package Content (Quantity x Part Name)	2x Slide Beam0824-048



<https://sketchfab.com/models/acbb38d0d4544bb8b978d8f49185c382/embed>



<https://store.makeblock.com/slide-beam0824-048-blue-pair/2-18-19>