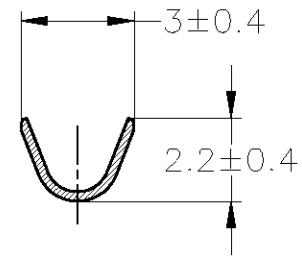
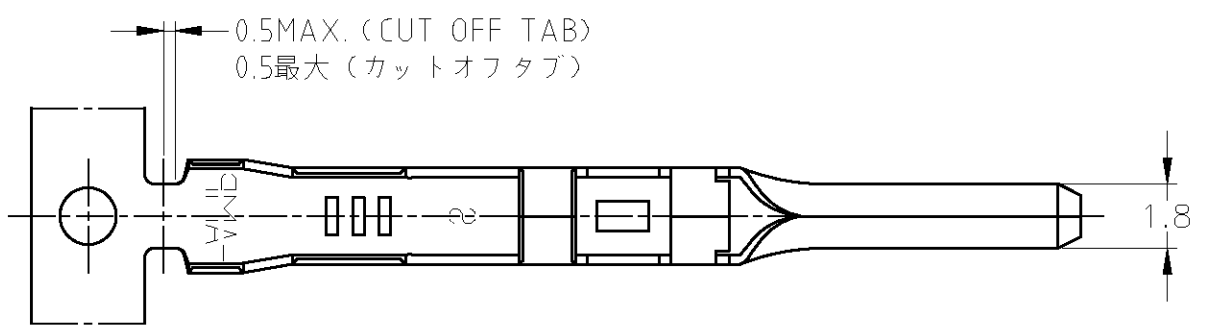
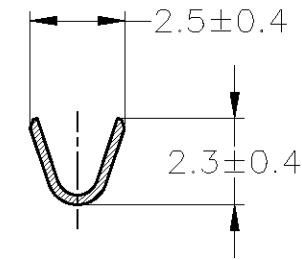
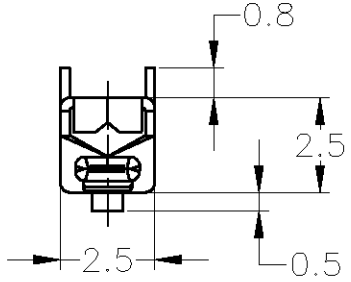
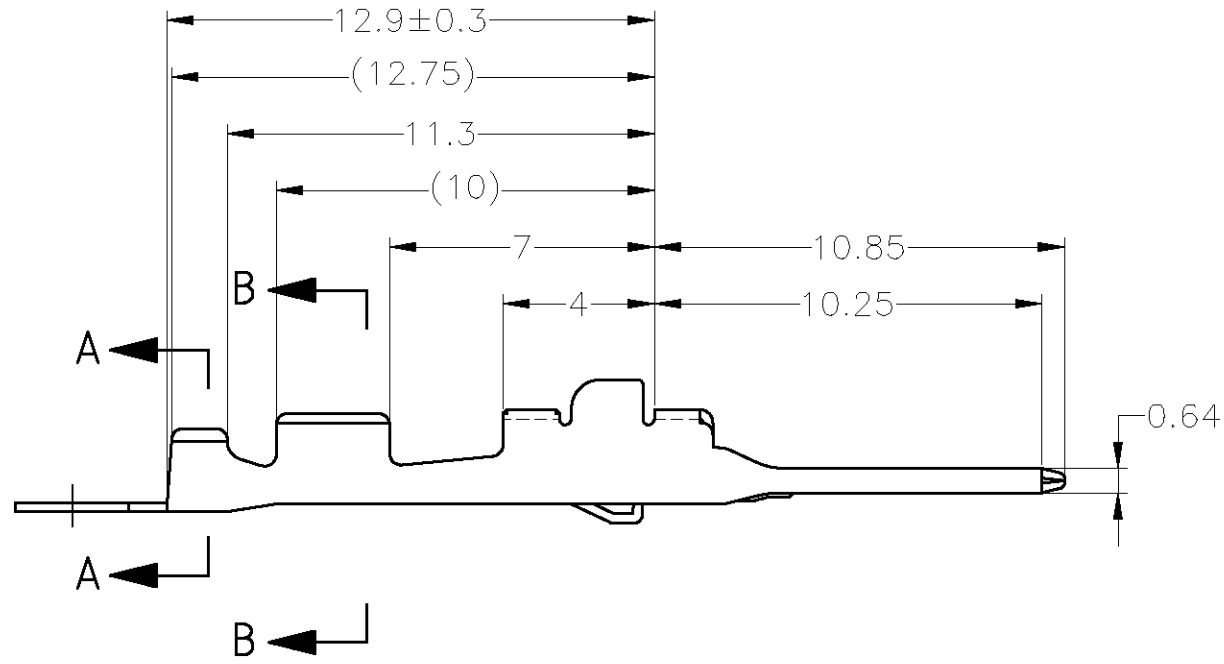


THIS DRAWING IS UNPUBLISHED. RELEASED FOR PUBLICATION
 © COPYRIGHT - By Tyco Electronics JAPAN G.K. ALL RIGHTS RESERVED.

LOC	DIST	REVISIONS					
P	LTR	DESCRIPTION	DATE	DWN	APVD		
J	-	E2	REDRAWN W/CHANGE	ECR-12-012125	05JUL2012	TS	KB



A-A



B-B

- 1. APPLICATION SPEC NO. 114-5160
- 2. APPLICABLE PRODUCT SPEC NO. 108-5374

- 1. 取付適用規格番号 114-5160
- 2. 適用製品規格番号 108-5374

179428-1	PRE-TIN	175272-1
LOOSE PIECE CONTACT PN	FINISH	PART NUMBER

THIS DRAWING IS A CONTROLLED DOCUMENT.

DIMENSIONS: mm	TOLERANCES UNLESS OTHERWISE SPECIFIED:
	0 PLC ± -
	1 PLC ± -
	2 PLC ± -
	3 PLC ± -
	4 PLC ± -
	ANGLES ± -

TOLERANCES UNLESS OTHERWISE SPECIFIED:	
10 ≥	: ±0.2
30 ≥ > 10	: ±0.25
100 ≥ > 30	: ±0.3
ANGLE : ±3°	

MATERIAL	FINISH
BRASS	SEE TABLE

DWN	T.SHINOHARA	05JUL2012
CHK	K.BETSUI	05JUL2012
APVD	K.BETSUI	05JUL2012
PRODUCT SPEC	-	
APPLICATION SPEC	SEE NOTE	
WEIGHT	0.29 g	

TE Connectivity			NAME		
			070II SERIES S TAB CONTACT		
SIZE	CAGE CODE	DRAWING NO	RESTRICTED TO		
A3	00779	C-175272	-		
CUSTOMER DRAWING			SCALE	SHEET	REV
			5:1	1 OF 1	E2