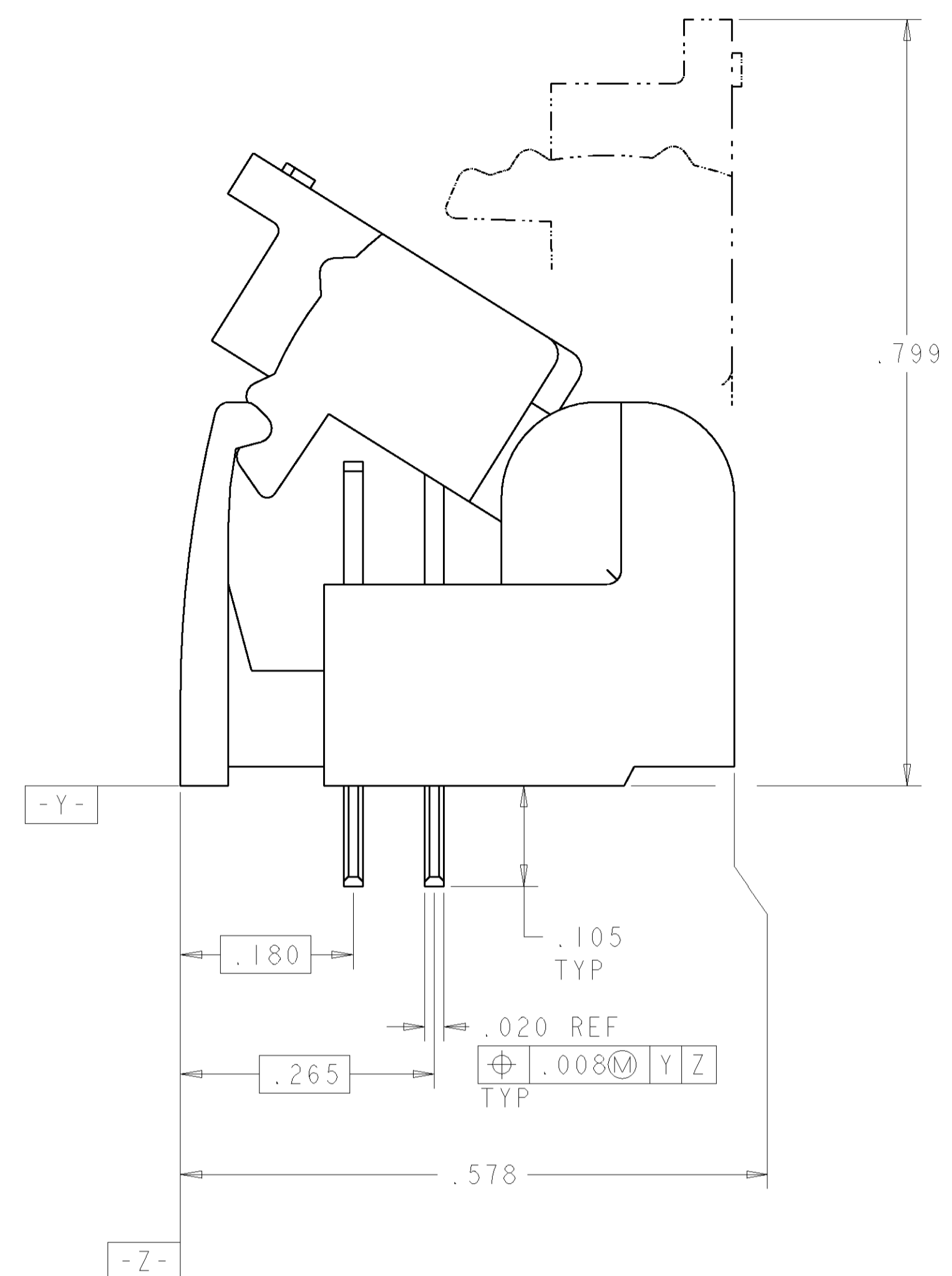
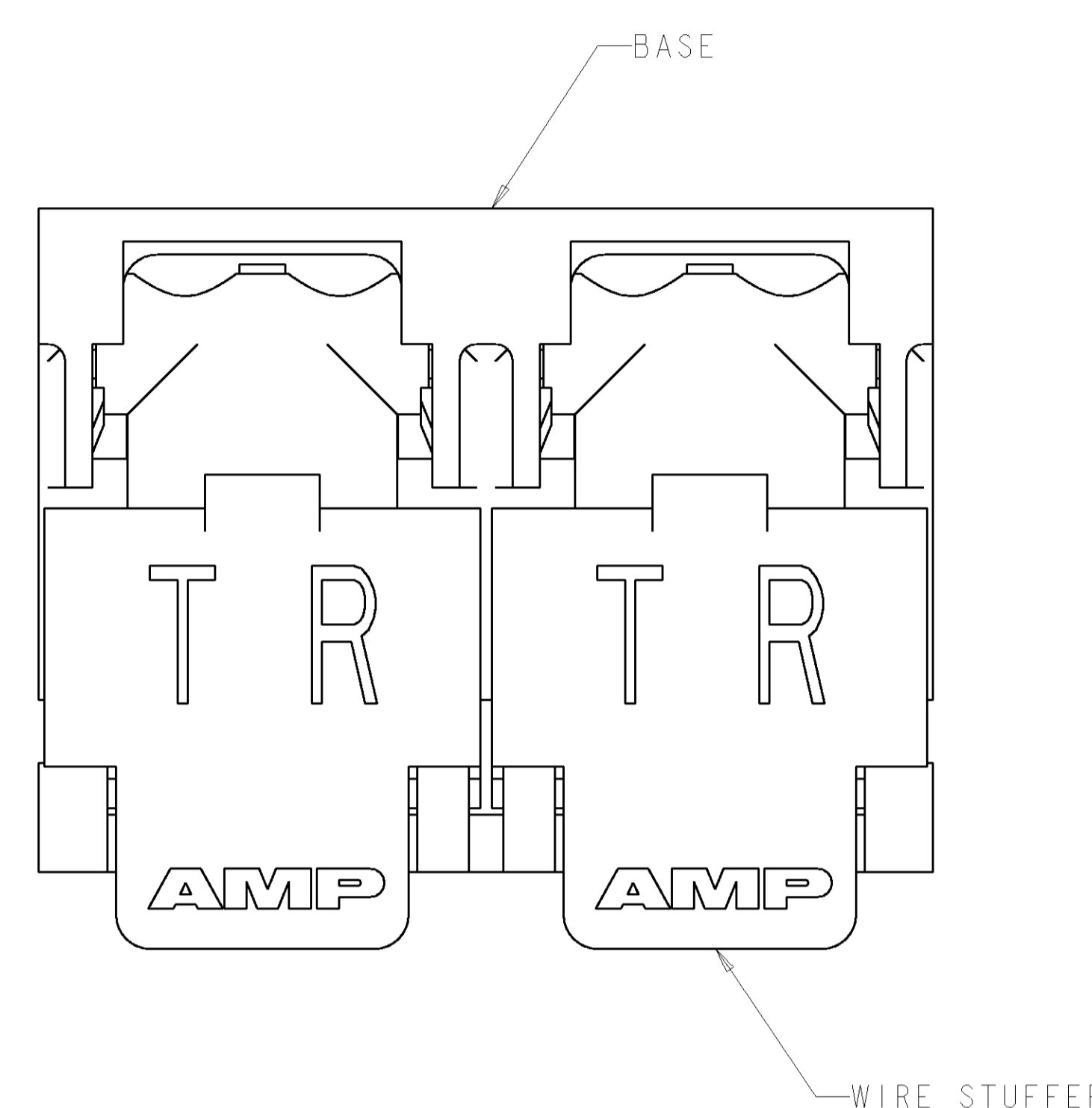
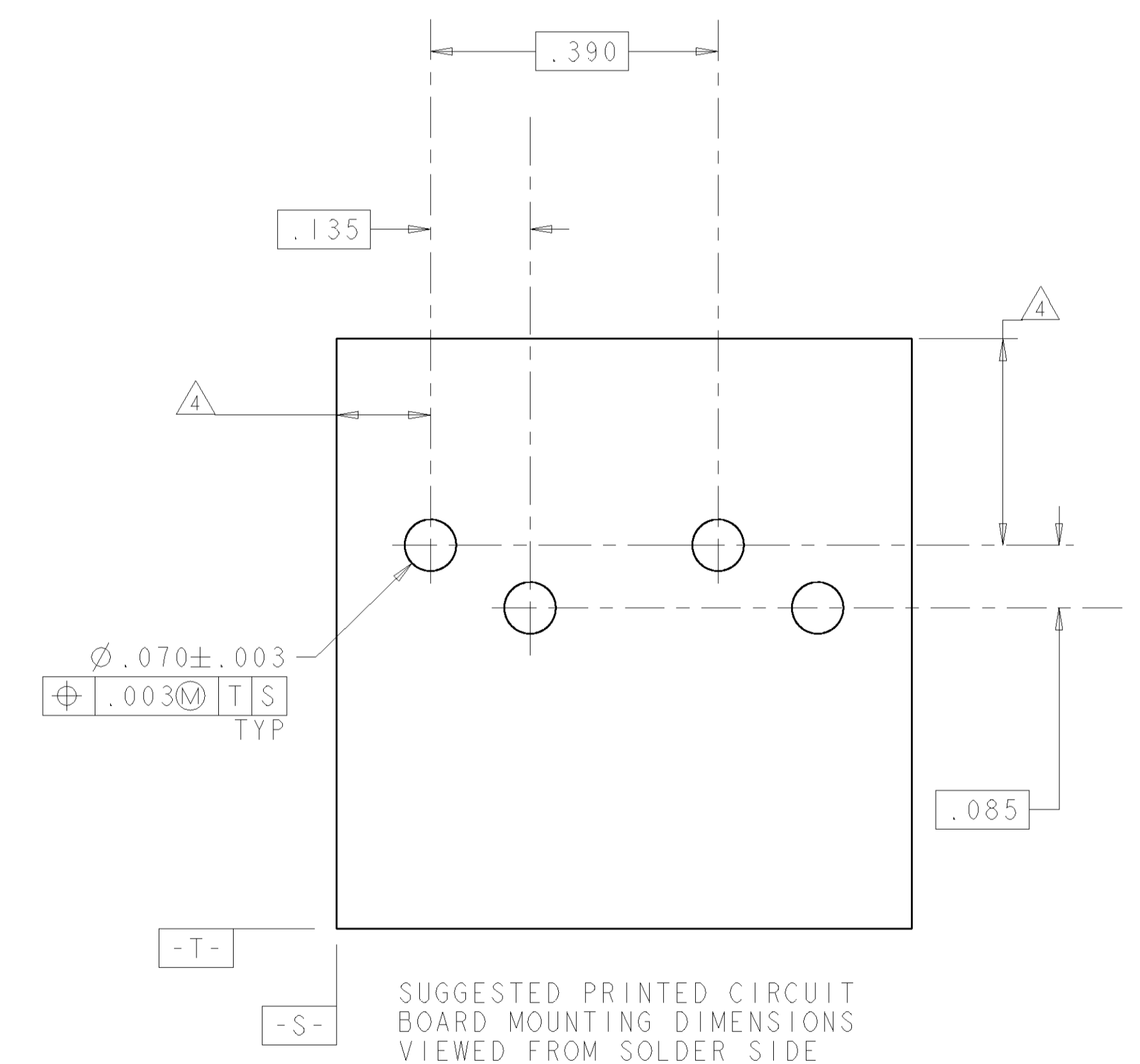
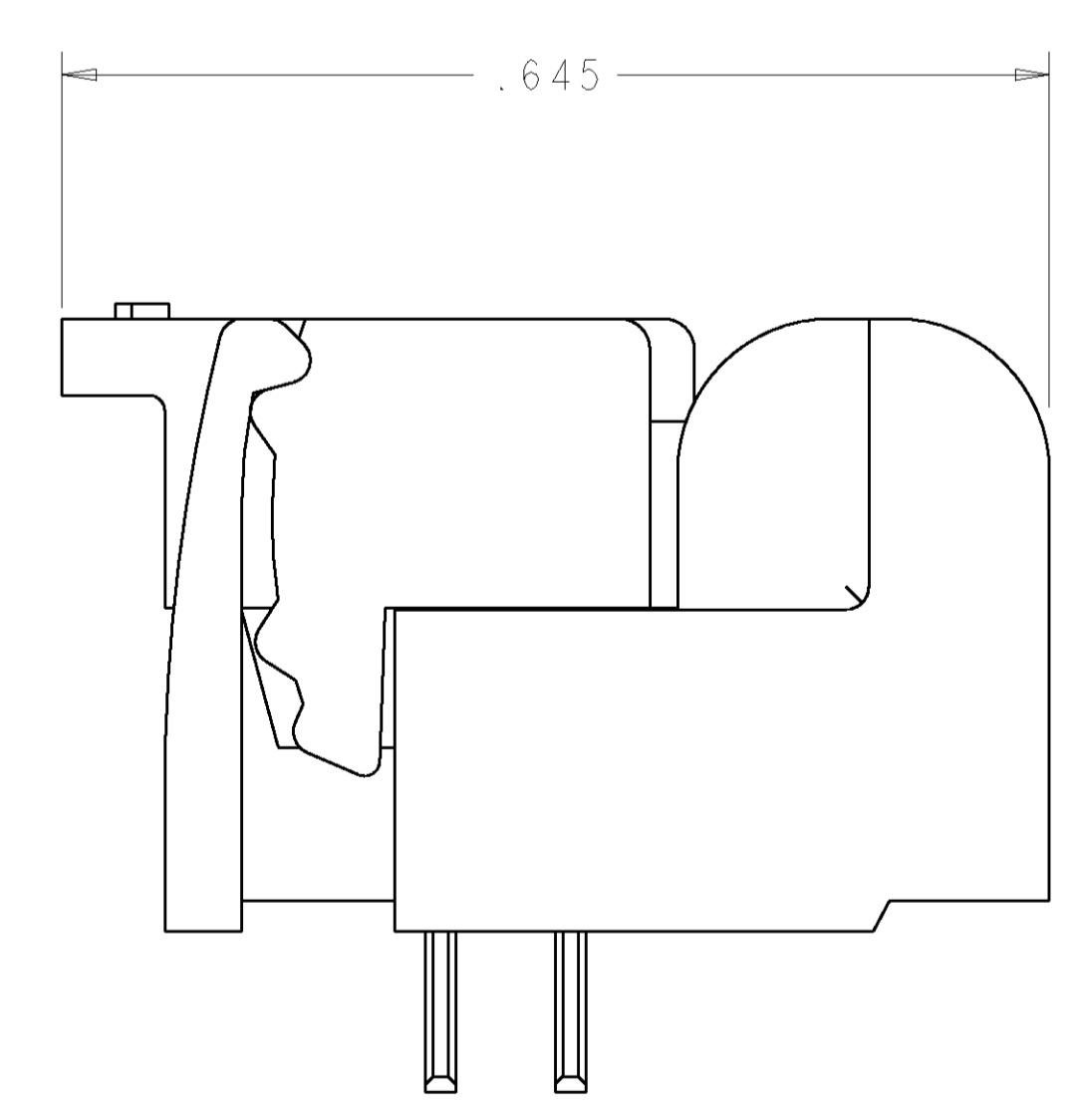
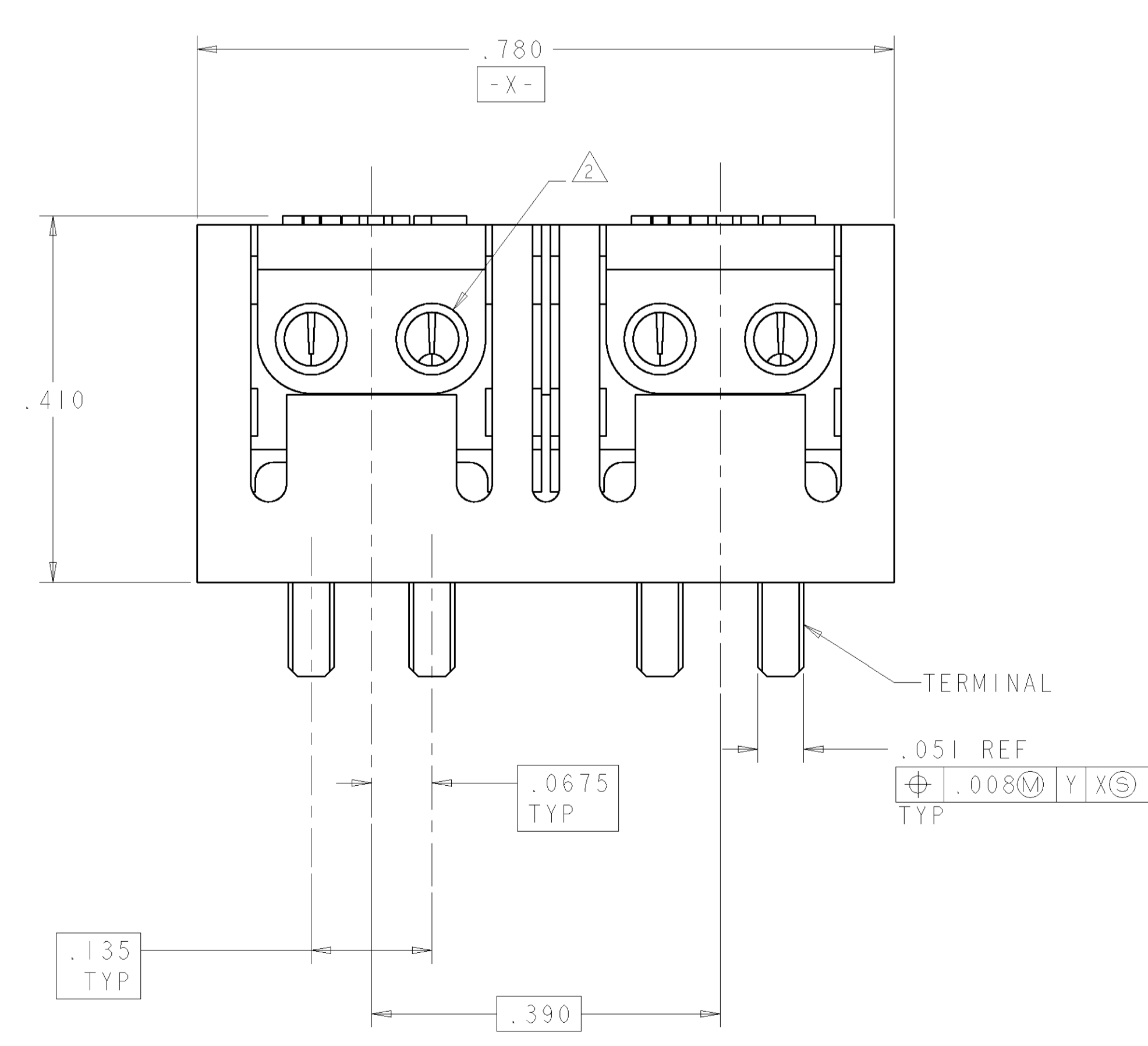


LOC	DIST	REVISIONS			
F	LTR	DESCRIPTION	DATE	DWN	APPD
B		REVISED: EC QUIC-0007-01	22JAN2001	JA	TW
C		REVISED PER EC 0S15-0450-02	21JAN2003	DLD	RPM
D		REVISED PER EC 0S15-0324-03	04DEC2003	JB	CF



- 1 MATERIAL: BASE - POLYESTER MOLDING COMPOUND, BLACK.
 WIRE STUFFER: - POLYCARBONATE MOLDING COMPOUND, CLEAR.
 TERMINAL - COPPER ALLOY, PLATED WITH 3.81 μm MINIMUM THICK TIN OVER 1.27 μm MINIMUM THICK NICKEL UNDERPLATE.
- 2 EACH WIRE ENTRY HOLE ACCEPTS ONE UNSTRIPPED SOLID COPPER 22-26 AWG WIRE WITH WIRE INSULATION DIAMETER RANGE FROM .060 THROUGH .040. OTHER WIRE SIZES AND TYPES SHALL BE SUBMITTED TO AMP ENGINEERS FOR APPLICATION APPROVAL.
- 3. SOLDER TABS PROVIDED FOR PERMANENT BOARD MOUNTING.
- 4 LOCATION OF HOLE PATTERN DETERMINED BASED ON CUSTOMER REQUIREMENTS.



RED	GREEN	CLEAR	1339305-1
R	T	WIRE STUFFER	PART NUMBER
COLOR CODE			

<small>THIS DRAWING IS UNPUBLISHED. RELEASED FOR PUBLICATION. ALL RIGHTS RESERVED. ANY REPRODUCTION OR TRANSMISSION OF THIS DRAWING WITHOUT THE WRITTEN PERMISSION OF AMP INCORPORATED IS PROHIBITED.</small>		DWN: R. ZARBOCK 28APR00 ENY: M. DERSTINE 28APR00 APPD: M. DERSTINE 28APR00	AMP Incorporated Harrisburg, PA 17105-3608
DIMENSIONS: INCHES TOLERANCES UNLESS OTHERWISE SPECIFIED: 0 PLC \pm 1 PLC $\pm .01$ 2 PLC $\pm .01$ 3 PLC $\pm .005$ 4 PLC \pm ANGLES: \pm FINISH:	PRODUCT SPEC APPLICATION SPEC WEIGHT CUSTOMER DRAWING	NAME: ASSEMBLY, DOUBLE PAIR, SINGLE ENTRY, PIVOT II CONNECTOR SIZE: A1 CAGE CODE: 00779 DRAWING NO: 1339305	SCALE: 6:1 SHEET: 1 OF 1 REV: D