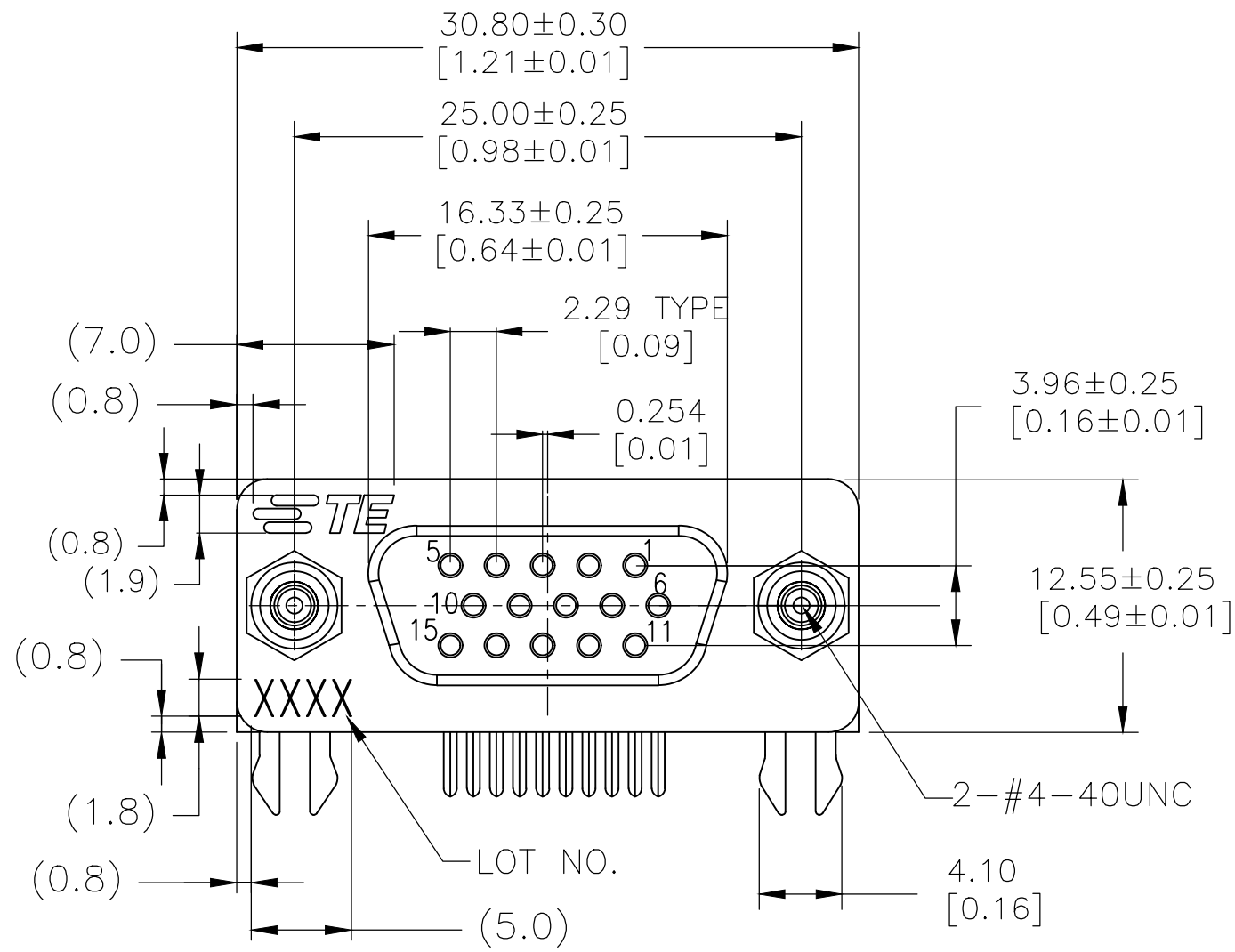
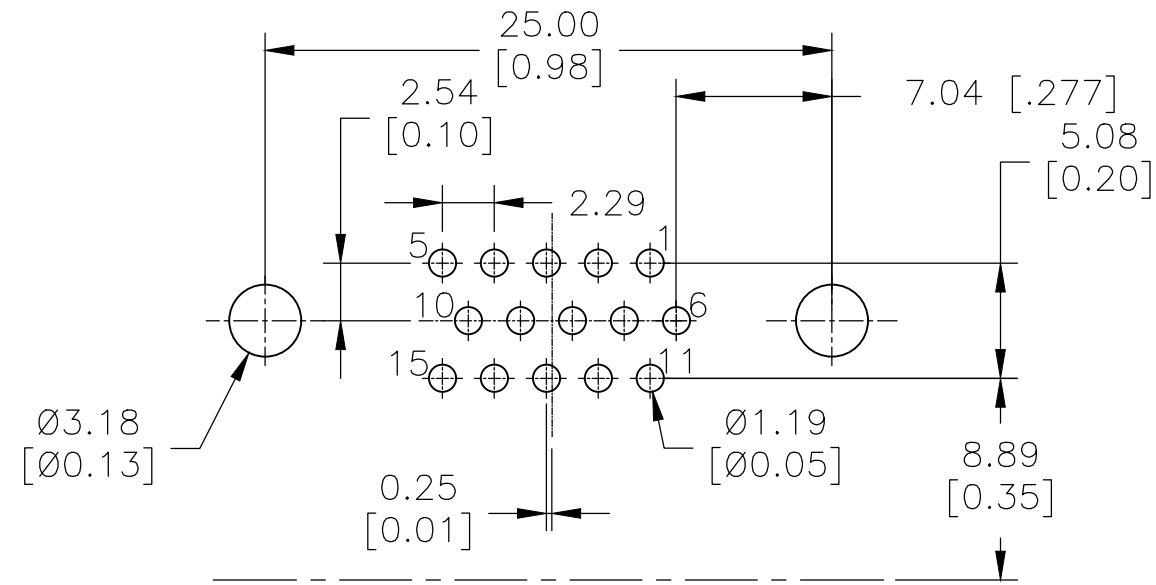


THIS DRAWING IS UNPUBLISHED. RELEASED FOR PUBLICATION  
 © COPYRIGHT - TE Connectivity ALL RIGHTS RESERVED.

REVISIONS					
P	LTR	DESCRIPTION	DATE	DWN	APVD
D		REVISED PER ECO-18-008015	24MAY2018	AP	DG



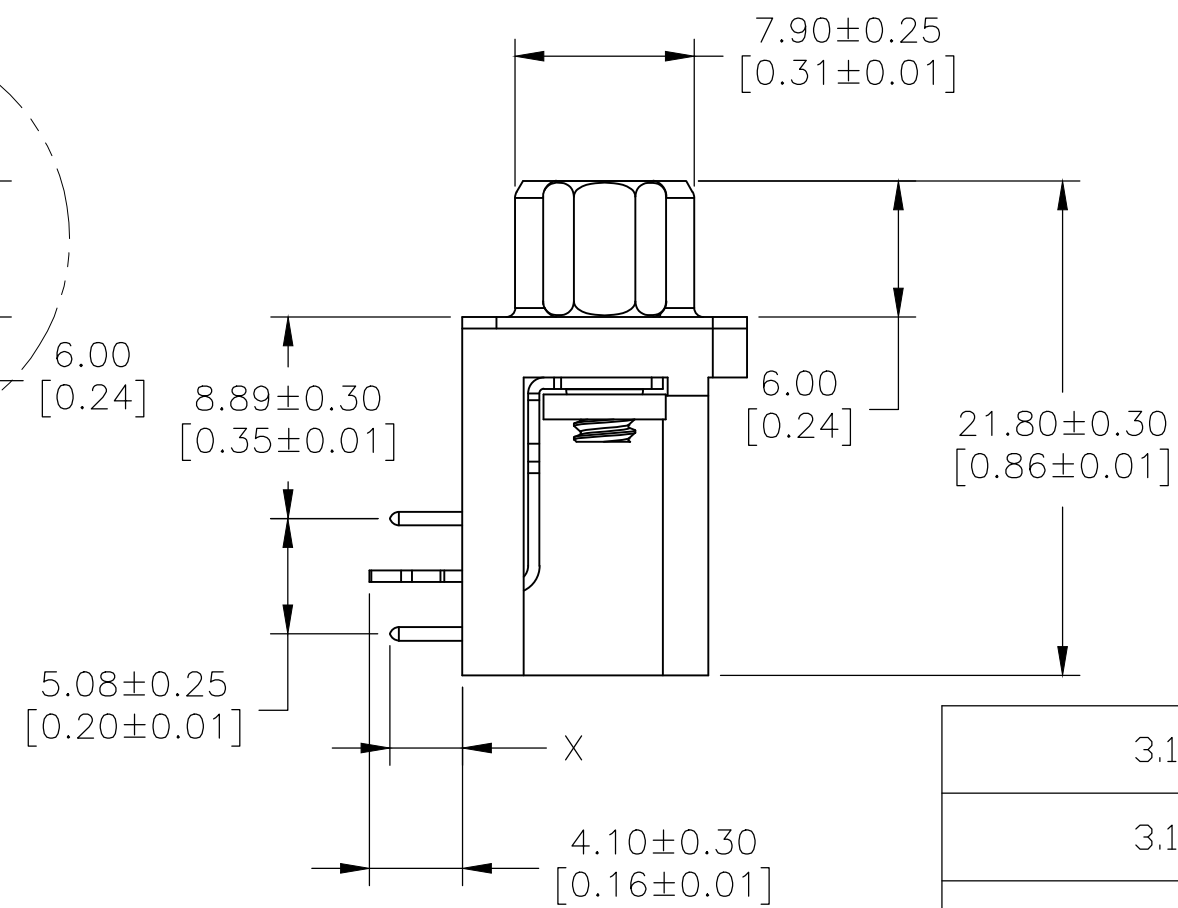
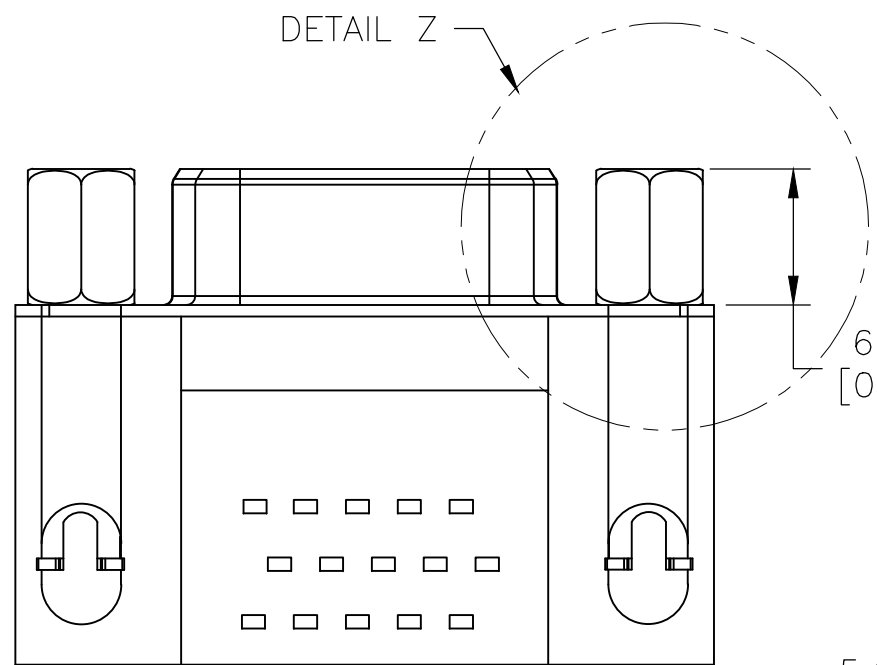
RECOMMENDED P.C.B LAYOUT(TOP SIDE)  
 (PCB BOARD TOLERANCE±0.05)



NOTES:

- INSULATOR:PA9T+G.F UL94V-0
- CONTACT:PHOSPHOR BRONZE
- ” GOLD PLATING ON CONTACT AREA
- 100u” MATTE TIN PLATING ON SOLDERTAIL
- 50u” NICKEL UNDERPLATED OVERALL
- HOLDDOWN:BRASS,100u” TIN OVER 50u” NICKEL
- SHEEL:SPCC,50u” NICKEL PLATING OVERALL
- RIVET:BRASS,NICKEL PLATING OVERALL
- SCREWLOCK:BRASS,NI PLATED

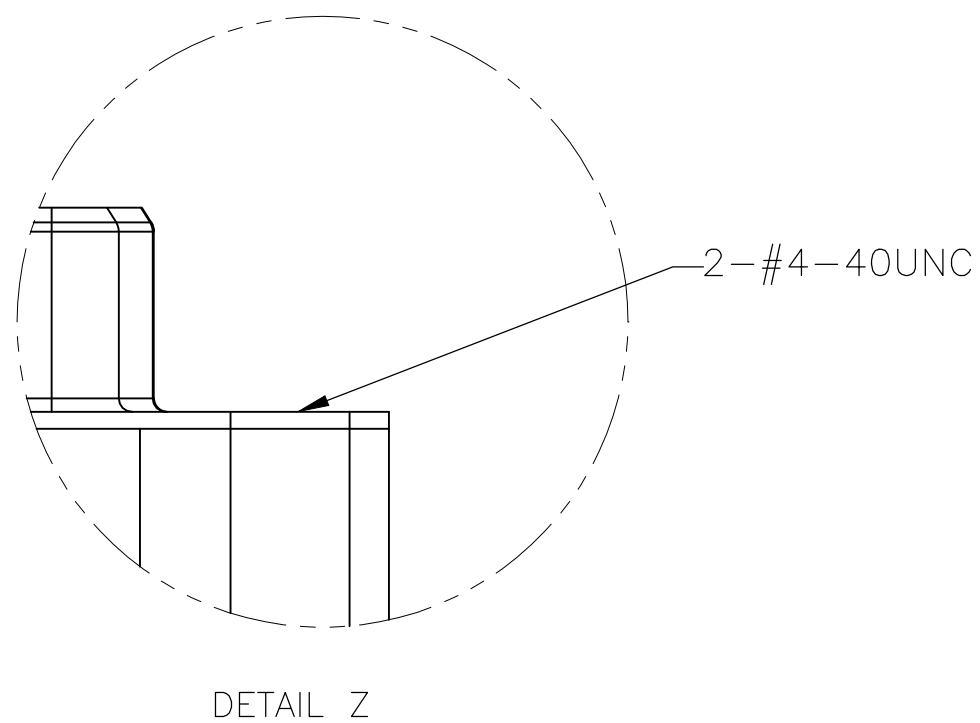
DETAIL Z



LOT NUMBER "XXXX"

- STANDS FOR CALENDAR YEAR
- STANDS FOR WEEK NUMBER

3.18 [0.13]	300U BLUE	NO SEE DETAIL Z	30µ" Au	2311586-5
3.18 [0.13]	300U BLUE	NO SEE DETAIL Z	Au Flash	2311586-4
2.7 [0.11]	BLACK	YES	15µ" Au	2311586-3
2.7 [0.11]	661C BLUE	YES	Au Flash	2311586-2
3.18 [0.13]	300U BLUE	YES	Au Flash	2311586-1
X ± 0.38 [± 0.015]	HOUSING COLOR	SCREWLOCK	Contact Area Plating	P/N



THIS DRAWING IS A CONTROLLED DOCUMENT.		DWN AJITH PAI 20FEB2017	TE Connectivity	
DIMENSIONS: mm [INCHES]		CHK DANIEL GORENC 20FEB2017		
TOLERANCES UNLESS OTHERWISE SPECIFIED:		APVD DANIEL GORENC 20FEB2017	NAME AMPLIMITE RECEPTACLE, HD22, RIGHT ANGLE, 15P	
0 PLC ± -		PRODUCT SPEC 108-130023	SIZE A2	
1 PLC ± -		APPLICATION SPEC	CAGE CODE 00779	
2 PLC ± 0.25		WEIGHT	DRAWING NO C=2311586	
3 PLC ± -		MATERIAL	RESTRICTED TO	
4 PLC ± -		FINISH	SCALE 3:1	
ANGLES ± -		CUSTOMER DRAWING	SHEET 1 of 1	
FINISH		REV D		