



LUMILEDS™ LUXEON® REBEL ADHESIVE-BACKED LENS



FEATURES / BENEFITS

- ▲ For LUXEON Rebel LEDs
- ▲ Available in spot, medium, wide, frosted spot and oval lenses
- ▲ Integral self-adhesive pad
- ▲ Compact size
- ▲ Greater than 80% efficiency
- ▲ 3 alignment tabs to ensure accurate placement over LED
- ▲ Frosted model for even light output within 7° half divergence & smooth tailoff. Designed to minimize hot spots & fringing in color mixing applications

OPERATING CONDITIONS

▲ -40°C to +110°C temperature

MATERIALS/FINISH

▲ Optical grade polycarbonate 143R

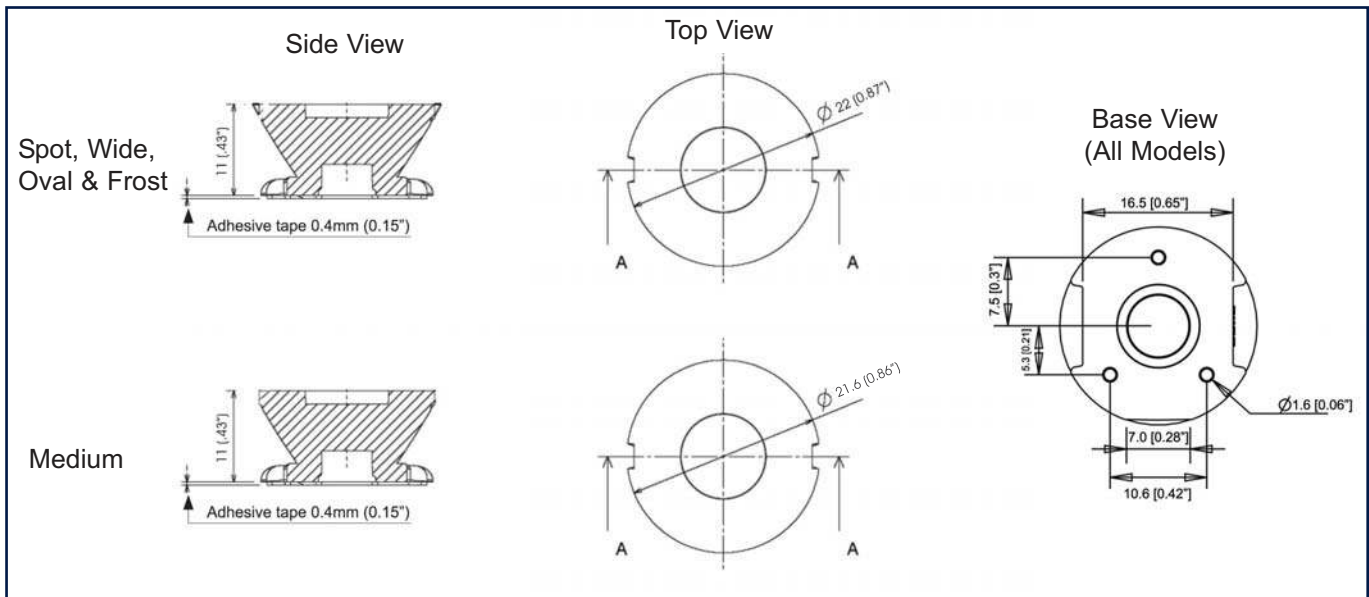
ORDERING INFORMATION

BASE LENSES		
Dialight P/N	Description	Degree*
OPC1-1-SPOT	Spot Base Module for LUXEON Rebel	5°
OPC1-1-SDIF	Diffused Base Module for LUXEON Rebel	7°
OPC1-1-MED	Medium Base Module for LUXEON Rebel	8°
OPC1-1-MDIF	Medium Diffused Base Module for LUXEON Rebel	10°
OPC1-1-OVAL	Oval Base Module for LUXEON Rebel	8° X 25°
OPC1-1-WIDE	Wide Diffused Base Module For LUXEON Rebel	20°

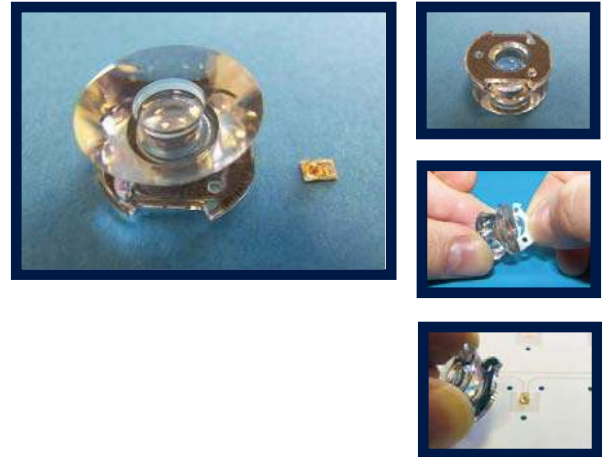
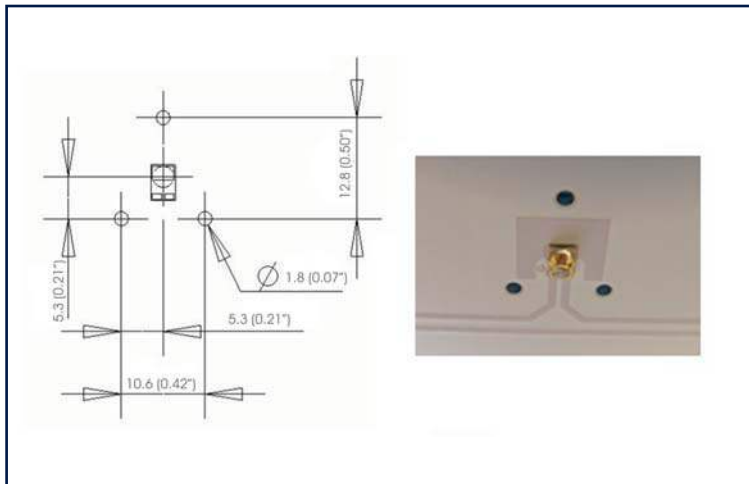
*All angles refer to half divergence

Dialight reserves the right to make changes at any time in order to supply the best product possible.

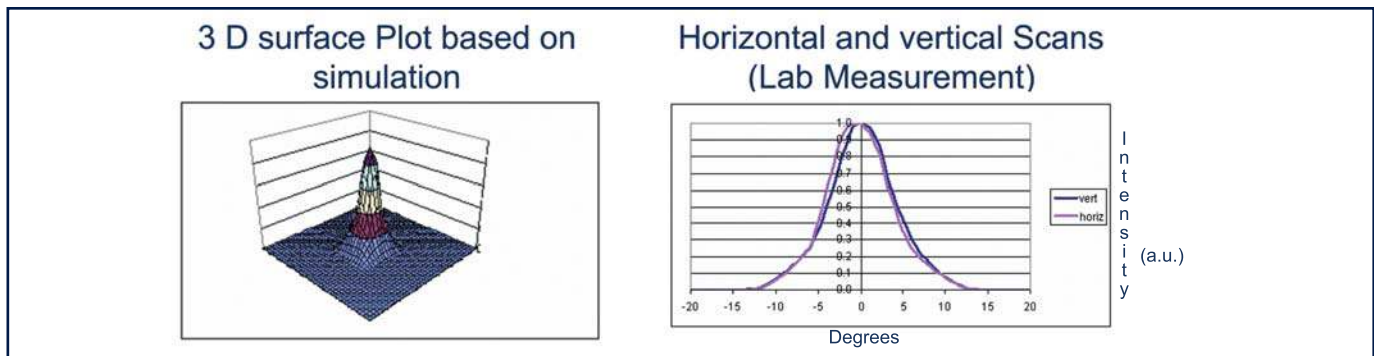
MECHANICAL DIMENSIONS



PCB ALIGNMENT DIMENSION DETAILS



PHOTOMETRIC DATA FOR SPOT VERSION



IES files available at www.dialight.com

For photometric data on other models, please contact factory

Dialight reserves the right to make changes at any time in order to supply the best product possible.

The most current version of this document will always be available at:

www.dialight.com/Assets/Brochures_And_Catalogs/Illumination/MDEXLUMADBREB.pdf

MDEXLUMADBREB_F