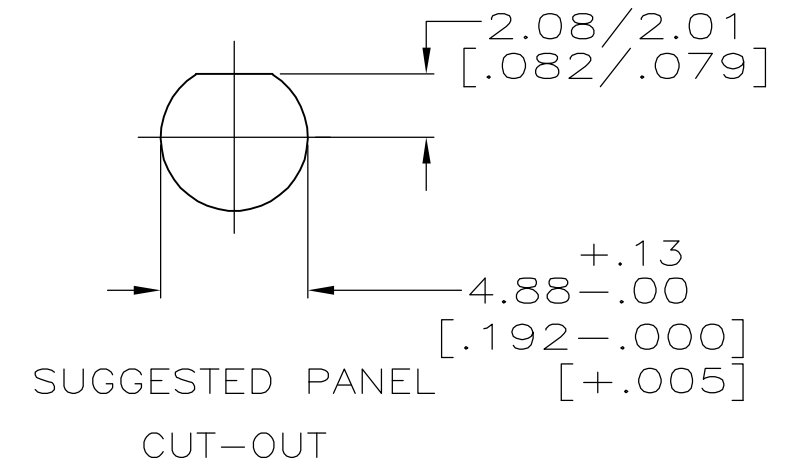
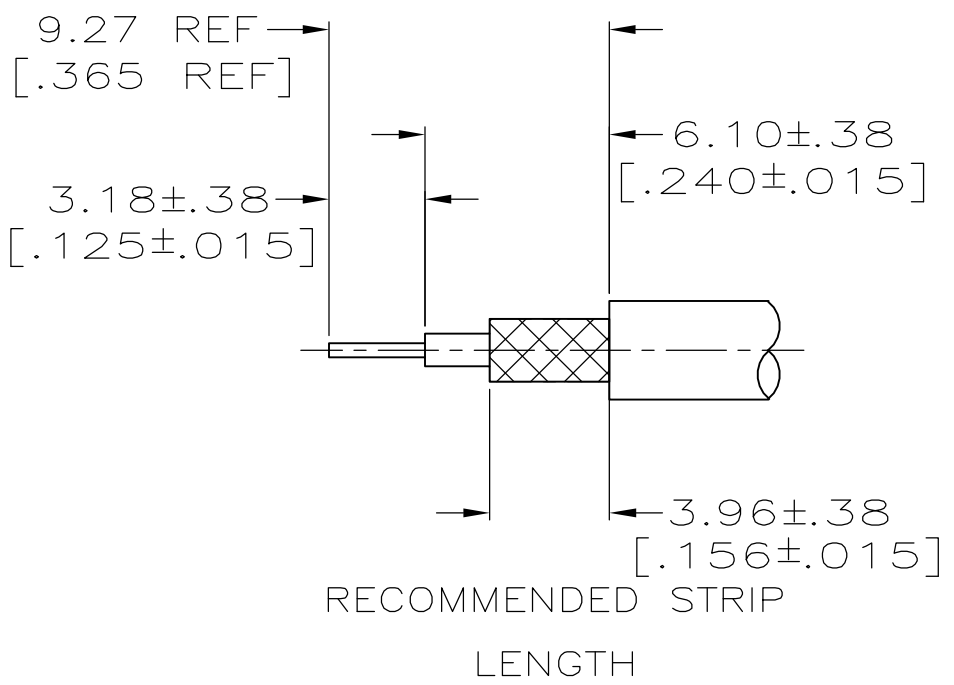
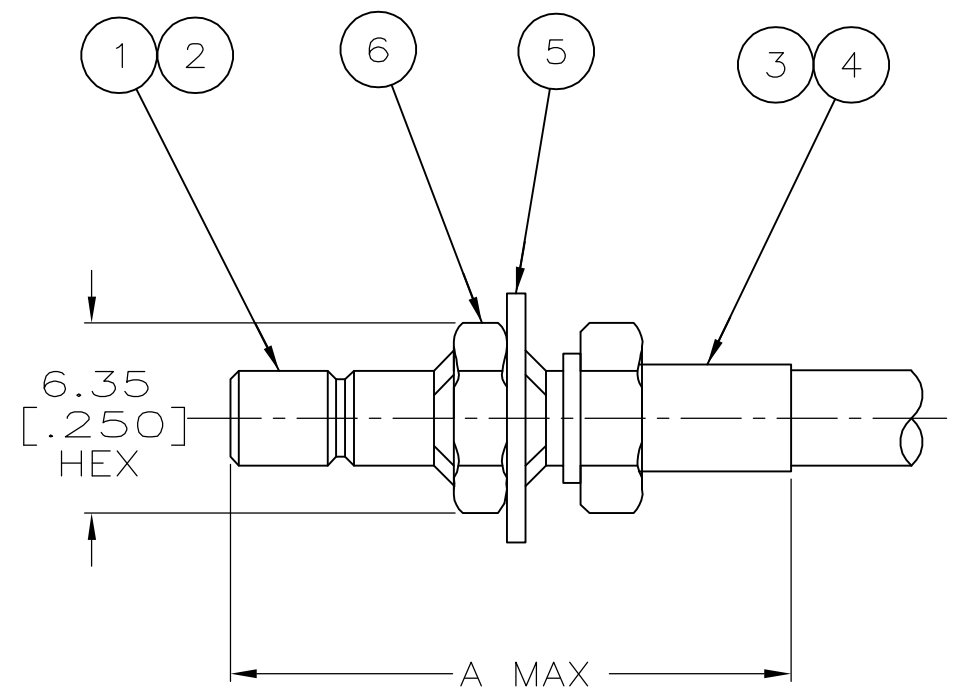


THIS DRAWING IS UNPUBLISHED. RELEASED FOR PUBLICATION
 © COPYRIGHT - BY TYCO ELECTRONICS CORPORATION. ALL RIGHTS RESERVED.

LOC	DIST	REVISIONS					
AJ	16	P	LTR	DESCRIPTION	DATE	DWN	APVD
		0		REV PER EC-0S14-0496-04	03FEB2005	AF	JGH

- ① FOR USE WITH BRAID CRIMP HAND TOOL 220190-1.
- ② FOR USE WITH CONTACT CRIMP MIL-C-22520/5-01 (DANIELS AFM 8) TOOL W/ DANIELS POSITIONER K727.
- ③ USE WITH BRAID CRIMP HAND TOOL MIL-C-22520/5-01.
- 4. SEE INSTRUCTION SHEET 408-2987-3.



RG-174/U, 188/U & 316/U	23.36	[.920]	Y444	POSN 2	58046-1 (AREA A)	414969-2	415001-2	9-228202-0	228225-2	228222-1	5228217-1
FOR USE WITH CABLE	A		DANIELS DIE SET ③	DIE SET ②	AMP DIE SET ①	⑥ JAMNUT QTY=1	⑤ LOCKWASHER QTY=1	③ FERRULE QTY=1	② CONTACT QTY=1	① JACK ASSEMBLY QTY=1	PART NUMBER

THIS DRAWING IS A CONTROLLED DOCUMENT.

DWN A. FERNANDEZ-DOCK5 03FEB2005	 Tyco Electronics Corporation Harrisburg, PA 17105-3608
CHK J. HAVENER 03FEB2005	
APVD J. HAVENER 03FEB2005	
PRODUCT SPEC -	
APPLICATION SPEC -	NAME JACK, BULKHEAD, SERIES SMB
WEIGHT -	SIZE A3
CUSTOMER DRAWING	CAGE CODE 00779
	DRAWING NO C-5228217
	RESTRICTED TO -
	SCALE 4:1
	SHEET 1 OF 1
	REV 0