

MOLEX IRELAND PRODUCTION ONLY
(OPTION)

RECOMMENDED PCB HOLE LAYOUT

NOTES:

1. PIN PUSHOUT FORCE (.9072KG)/2LBS MIN.
2. PIN SOLDERABILITY PER MOLEX SPEC. ES-152.
3. PRODUCT SPEC: PS-70246 APPLIES.
4. WAFER TO BE FLAT WITHIN .003 MM/MM.
5. DIMENSIONS FOR PLATING LOCATION:
 - 5A. MEASURE POINT FOR THICKNESS
 - 5B. MINIMUM COVERAGE
6. GOLD END OF PIN UNLESS OVERALL PLATED.

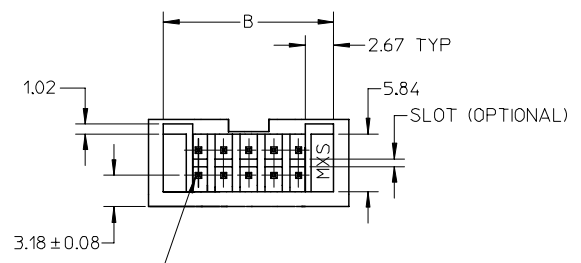
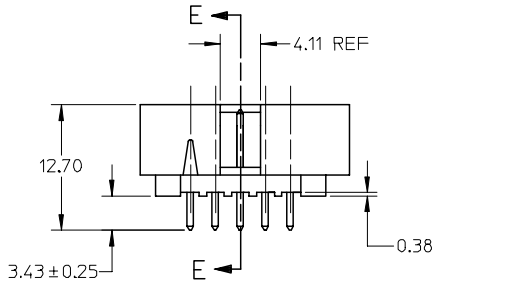
- 573 : 20 MICRO INCHES MIN GOLD PLATE ON CONTACT AND 100 MICRO INCHES MIN TIN PLATE ON SOLDER TAIL BOTH OVER 50 MICRO INCHES MIN NICKEL OVERALL.
- 573A : 20 MICRO INCHES MIN GOLD PLATE ON CONTACT AND 100 MICRO INCHES MIN TIN/LEAD PLATE ON SOLDER TAIL BOTH OVER 50 MICRO INCHES MIN NICKEL OVERALL.

8. DIM AT THE CENTRE OF THE SHROUDED WALL SHALL BE 5.91MM MIN. THIS SPEC IS VALID FOR ALL CKT SIZE.

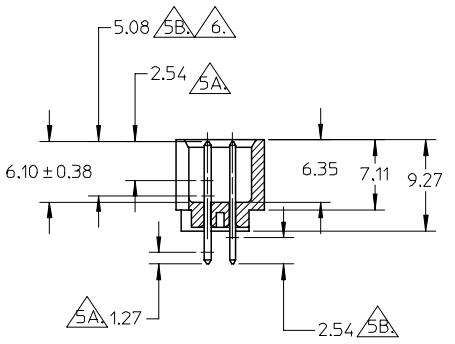
9. MATERIAL:
HSG: PBT, UL94V-0, COLOUR BLACK
PIN: 0.64MM SQ. PIN PHOSPHOR BRONZE.

7. FINISH:

- 571 : 15 MICRO INCHES MIN GOLD PLATE ON CONTACT AND 75 MICRO INCHES MIN TIN PLATE ON SOLDER TAIL BOTH OVER 50 MICRO INCHES MIN NICKEL OVERALL.
- 571A : 15 MICRO INCHES MIN GOLD PLATE ON CONTACT AND 75 MICRO INCHES MIN TIN/LEAD PLATE ON SOLDER TAIL BOTH OVER 50 MICRO INCHES MIN NICKEL OVERALL.
- 574 : 30 MICRO INCHES MIN GOLD PLATE ON CONTACT AND 75 MICRO INCHES MIN TIN PLATE ON SOLDER TAIL BOTH OVER 50 MICRO INCHES MIN NICKEL OVERALL.
- 574A : 30 MICRO INCHES MIN GOLD PLATE ON CONTACT AND 75 MICRO INCHES MIN TIN/LEAD PLATE ON SOLDER TAIL BOTH OVER 50 MICRO INCHES MIN NICKEL OVERALL.
- 544 : 5 MICRO INCHES MIN GOLD PLATE ON CONTACT AND 75 MICRO INCHES MIN TIN PLATE ON SOLDER TAIL BOTH OVER 50 MICRO INCHES MIN NICKEL OVERALL.
- 544A : 5 MICRO INCHES MIN GOLD PLATE ON CONTACT AND 75 MICRO INCHES MIN TIN/LEAD PLATE ON SOLDER TAIL BOTH OVER 50 MICRO INCHES MIN NICKEL OVERALL.



AT TIPS BOTH ENDS



SECTION E-E

| | |
|-------------------|-------------|
| UPDATE REVISION | DESCRIPTION |
| EC NO: S2006-0664 | 2006/02/07 |
| DRWN: LUIAO | 2006/02/07 |
| CHKD: BOKOK | 2006/02/13 |
| APPR: PTLIM | 2006/02/13 |
| REV | |

| | |
|-----------------|--|
| QUALITY SYMBOLS | |
| ▽=0 | |
| △=0 | |

| | | |
|--|-----------------|-------|
| GENERAL TOLERANCES (UNLESS SPECIFIED) | mm | INCH |
| | 4 PLACES ± --- | ± --- |
| | 3 PLACES ± --- | ± --- |
| | 2 PLACES ± 0.20 | ± --- |
| | 1 PLACE ± --- | ± --- |
| | ANGULAR ± 3 ° | |
| DRAFT WHERE APPLICABLE MUST REMAIN WITHIN DIMENSIONS | | |

| | | | |
|------------------|------------|---|--|
| DRAWN BY DATE | | TITLE | |
| JENNIFER | 1987/09/18 | C-GRID, SHROUDED HEADER (SLOTTED W/O STANDOFFS) | |
| CHECKED BY DATE | | | |
| RWONG | 1987/09/18 | | |
| APPROVED BY DATE | | | |
| ALANB | 1987/09/18 | | |
| MATERIAL NO. | | DOCUMENT NO. | |
| SEE TABLE | | SDA-70246-**20-25,39-41 | |

| | | | |
|---|---------------------|------------------------|--|
| SCALE NTS | DESIGN UNITS METRIC | THIRD ANGLE PROJECTION | |
| MOLEX INCORPORATED | | | |
| SHEET NO. 1 OF 2 | | | |
| THIS DRAWING CONTAINS INFORMATION THAT IS PROPRIETARY TO MOLEX INCORPORATED AND SHOULD NOT BE USED WITHOUT WRITTEN PERMISSION | | | |

| | 10 | 9 | 8 | 7 | 6 | 5 | 4 | 3 | 2 | 1 |
|---|-------------|----------|----------|-------|-------|-------|-------|---|---|---|
| | PART NUMBER | CKT SIZE | VOID CKT | DIM A | DIM B | DIM C | DIM D | | | |
| F | 70246-08** | 08 | - | 7.62 | 14.73 | 17.78 | 15.24 | | | |
| | 70246-10** | 10 | - | 10.16 | 17.27 | 20.32 | 17.78 | | | |
| | 70246-12** | 12 | - | 12.70 | 19.81 | 22.86 | 20.32 | | | |
| | 70246-14** | 14 | - | 15.24 | 22.35 | 25.40 | 22.86 | | | |
| | 70246-16** | 16 | - | 17.78 | 24.89 | 27.94 | 25.40 | | | |
| | 70246-20** | 20 | - | 22.86 | 29.97 | 33.02 | 30.48 | | | |
| | 70246-24** | 24 | - | 27.94 | 35.05 | 38.10 | 35.56 | | | |
| | 70246-26** | 26 | - | 30.48 | 37.59 | 40.64 | 38.10 | | | |
| E | 70246-30** | 30 | - | 35.56 | 42.67 | 45.72 | 43.18 | | | |
| | 70246-34** | 34 | - | 40.64 | 47.75 | 50.80 | 48.26 | | | |
| | 70246-40** | 40 | - | 48.26 | 55.37 | 58.42 | 55.88 | | | |
| | 70246-44** | 44 | - | 53.34 | 60.45 | 63.50 | 60.96 | | | |
| | 70246-50** | 50 | - | 60.96 | 68.07 | 71.12 | 68.58 | | | |
| | 70246-56** | 56 | - | 68.58 | 75.69 | 78.74 | 76.20 | | | |
| | 70246-60** | 60 | - | 73.66 | 80.77 | 83.82 | 81.28 | | | |
| | 70246-64** | 64 | - | 78.74 | 85.85 | 88.90 | 86.36 | | | |
| D | 70246-72** | 72 | - | 88.90 | 96.01 | 99.06 | 96.52 | | | |
| | 70246-25** | 26 | 26 | 30.48 | 37.59 | 40.64 | 38.10 | | | |

LEGEND:
A-70246 - * * * * *
CKT SIZE ————
PLATING OPT. ————
SEE TABLE FOR DETAIL

| △ PART NUMBER | PLATING OPTION (TIN/LEAD) | △ PART NUMBER | PLATING OPTION (TIN) |
|---------------|---------------------------|---------------|----------------------|
| 70246-**21 | 571A | 70246-**01 | 571 |
| 70246-**22 | 574A | 70246-**02 | 574 |
| 70246-**24 | 544A | 70246-**04 | 544 |
| 70246-**20 | 573A | 70246-**12 | 573 |

| | | | | | | | | | | |
|--|-------------------------------|--|---------------|---|--------------------------------------|--------------|--|------------------------|--------------|--|
| ADD PART NUMBER EC NO: S2006-0664 DRWN: LOI/AO 2006/02/07 CHKD: BOKOK 2006/02/07 APPR: PTL/IM 2006/02/13 | QUALITY SYMBOLS ▽=0 ∇=0 | GENERAL TOLERANCES (UNLESS SPECIFIED) | | DIMENSION STYLE MM ONLY | | SCALE NTS | DESIGN UNITS METRIC | THIRD ANGLE PROJECTION | | |
| | | | | 4 PLACES ± --- ± --- | DRAWN BY DATE JENNIFER 1987/09/18 | | TITLE C-GRID, SHROUDED HEADER (SLOTTED W/O STANDOFFS) | | | |
| | | | | 3 PLACES ± --- ± --- | CHECKED BY DATE RWONG 1987/09/18 | | | | | |
| | | | | 2 PLACES ± 0.20 ± --- | APPROVED BY DATE ALANB 1987/09/18 | | MATERIAL NO. | | DOCUMENT NO. | |
| | | 1 PLACE ± --- ± --- | ANGULAR ± 3 ° | | SEE TABLE | | SDA-70246-**20-25,39-41 | | 2 OF 2 | |
| | | DRAFT WHERE APPLICABLE MUST REMAIN WITHIN DIMENSIONS | | THIS DRAWING CONTAINS INFORMATION THAT IS PROPRIETARY TO MOLEX INCORPORATED AND SHOULD NOT BE USED WITHOUT WRITTEN PERMISSION | | | | | | |