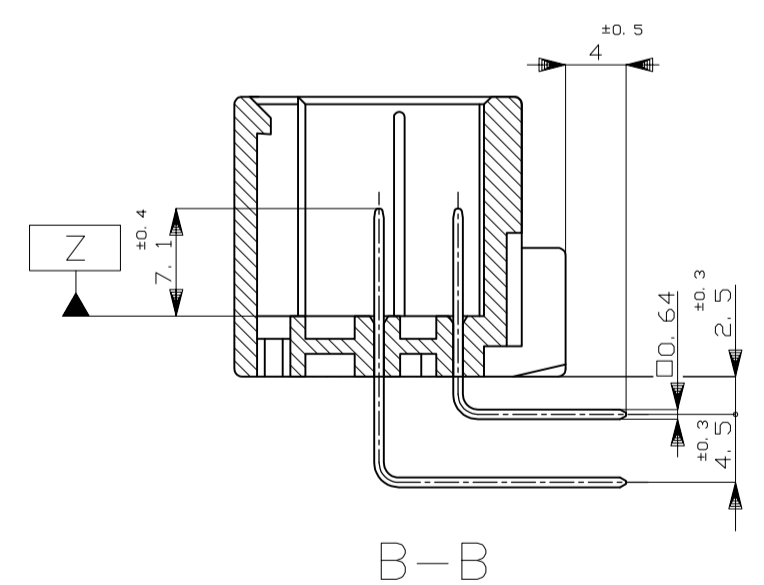
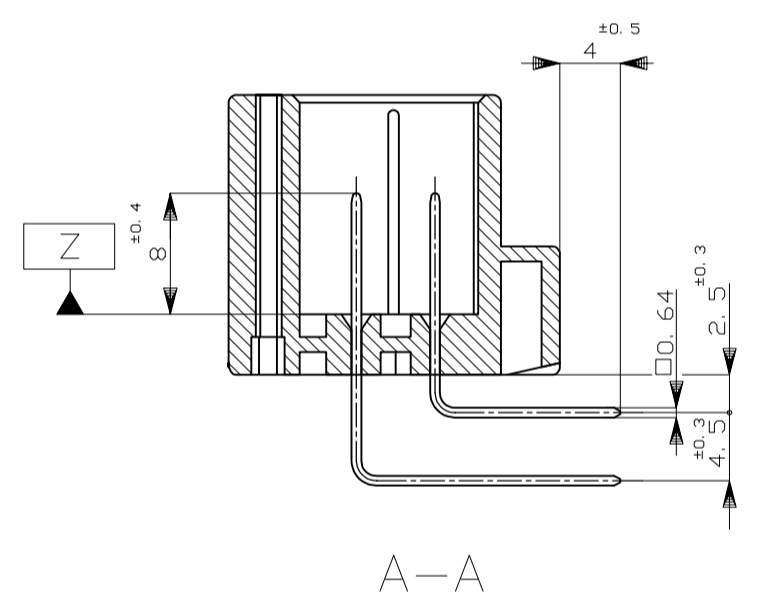
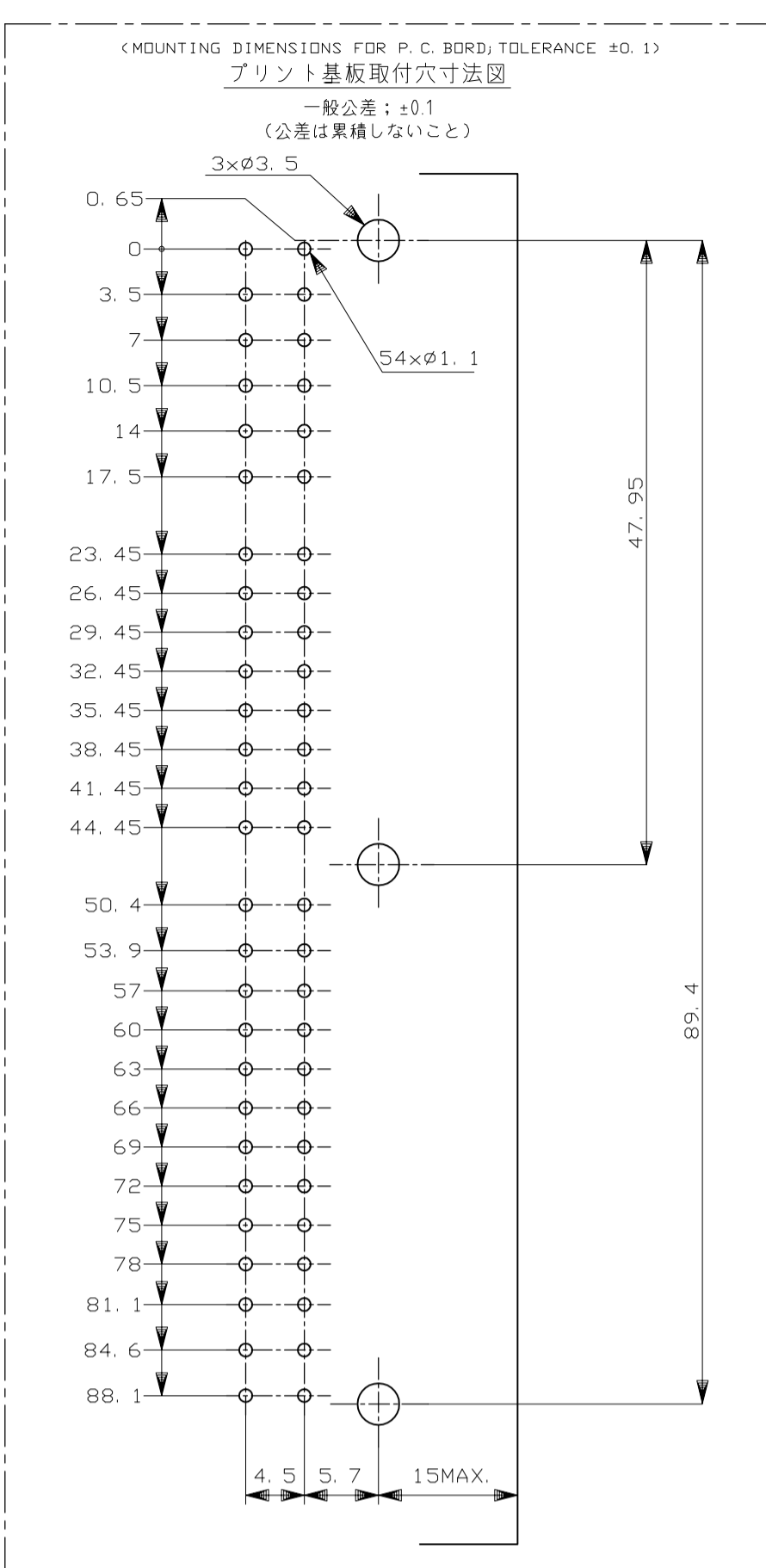
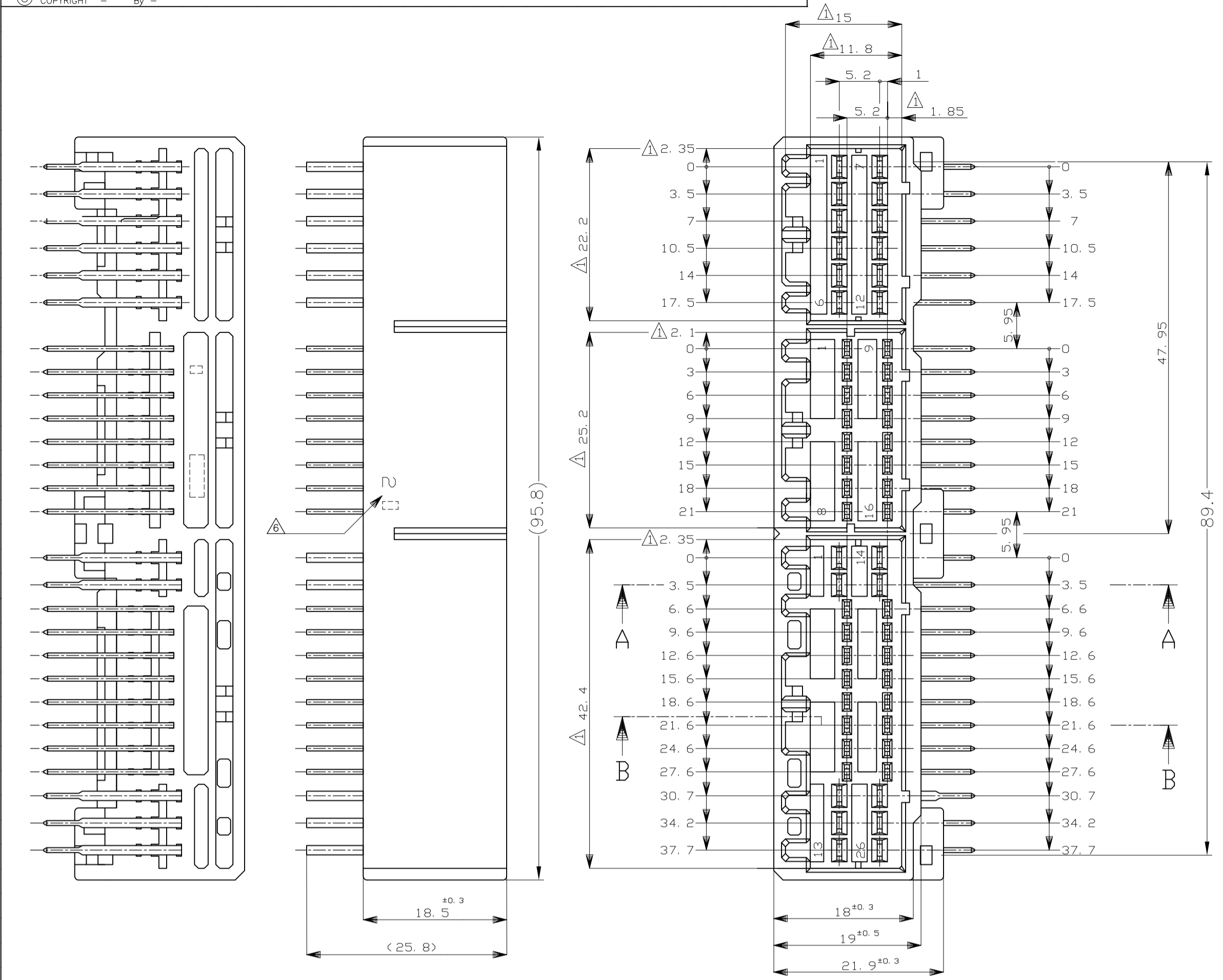
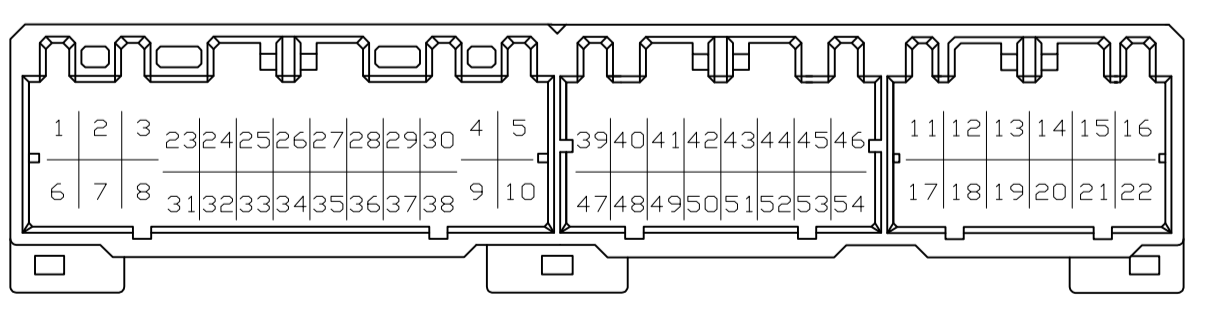


REVISED		REVISIONS		DATE		DWN		APVD	
NO	REVISION	DESCRIPTION	DATE	DWN	APVD				
N8	REVISED	ECR-15-004544	06APR15	KF	RK				



- 1 MUST BE KEPT BETWEEN Z AND 2
- 2 THE MATING PLUG HOUSING PART NUMBER:  
174514, 174516, 175442, 917981, 917992, 917978
- 3 RECOMMENDED MOUNTING SCREW: 3mm DIA, 6mm LENGTH (MAX.)  
PAN HEAD, CLASS 2 TAPPING SCREW SPECIFIED IN JIS  
B1115, B1122 (TIGHTENING TORQUE: 0.39N·m MAX)
- 4 APPLICABLE PRODUCT SPECIFICATION NUMBER: 108-5280, 108-5342
- 5 CIRCUIT NUMBER: SEE FIG.1
- 6 MARKING FOR DISCERNMENT OF THE CONTACT FINISH

- 1 Z面から2mmの範囲で測定
- 2 嵌合相手ハウジング型番: 174514, 174516, 175442, 917981, 917992, 917978
- 3 推奨取付ねじ: JIS B1115, B1122 タッピングねじ, なべ2種  
呼び径3, 長さ6mm以下 (締付けトルク: 0.39N·m以下)
- 4 適用製品規格番号: 108-5280, 108-5342
- 5 回路番号: FIG.1参照
- 6 コントラクト仕上識別マーク



POWER CIRCUIT NUMBER: ① ~ ②②  
 パワー回路:  
 SIGNAL CIRCUIT NUMBER: ②③ ~ ⑤④  
 シグナル回路:

Fig.1

MODEL	BOX	TUBE	FINISH	CONTACTS	POSITION	COLOR	PART NO.
FJPI-9-5175448-1	PAPER BOX	PLASTIC TUBE	SELECTIVE-TIN (MATTE)	SELECTIVE GOLD × 8	-	NATURAL	9-5175448-1
FJPI-7-5175448-6	PAPER BOX	PLASTIC TUBE	SELECTIVE-TIN (MATTE)	SELECTIVE GOLD × 8	12~16,19,22	GRAY	7-5175448-6
FJPI-6-5175448-6	PAPER BOX	PLASTIC TUBE	SELECTIVE-TIN (MATTE)	SELECTIVE GOLD × 6	-	GRAY	6-5175448-6
FJPI-4-5175448-6	PAPER BOX	PLASTIC TUBE	SELECTIVE-TIN (MATTE)	SELECTIVE GOLD × 24	-	GRAY	4-5175448-6
FJPI-4-5175448-1	PAPER BOX	PLASTIC TUBE	SELECTIVE-TIN (MATTE)	SELECTIVE GOLD × 24	-	NATURAL	4-5175448-1
FJPI-3-5175448-6	PAPER BOX	PLASTIC TUBE	SELECTIVE-TIN (MATTE)	SELECTIVE GOLD × 12	11~22	GRAY	3-5175448-6
FJPI-3-5175448-1	PAPER BOX	PLASTIC TUBE	SELECTIVE-TIN (MATTE)	SELECTIVE GOLD × 4	-	NATURAL	3-5175448-1
FJPI-2-5175448-1	PAPER BOX	PLASTIC TUBE	SELECTIVE-TIN (MATTE)	SELECTIVE GOLD × 32	-	NATURAL	2-5175448-1
FJPI-5175448-1	PAPER BOX	PLASTIC TUBE	SELECTIVE-TIN (MATTE)	SELECTIVE GOLD × 40	1~4,6~9 12~15,18~21	NATURAL	5175448-1
FJPI-2-5175448-6	PLASTIC BOX	PLASTIC TUBE	SELECTIVE-TIN (MATTE)	SELECTIVE GOLD × 32 SELECTIVE-TIN × 22 (BRIGHT)	-	GRAY	2-5175448-6
FJPI-9-175448-1	PAPER BOX	PLASTIC TUBE	TIN-LEAD	SELECTIVE GOLD × 8	-	NATURAL	9-175448-1
FJPI-8-175448-1	PAPER BOX	PLASTIC TUBE	TIN-LEAD	SELECTIVE GOLD × 16	-	NATURAL	8-175448-1
FJPI-7-175448-6	PAPER BOX	PLASTIC TUBE	TIN-LEAD	SELECTIVE GOLD × 8	12~16,19,22	GRAY	7-175448-6
FJPI-6-175448-6	PAPER BOX	PLASTIC TUBE	TIN-LEAD	SELECTIVE GOLD × 6	-	GRAY	6-175448-6
FJPI-5-175448-6	PAPER BOX	PLASTIC TUBE	TIN-LEAD	SELECTIVE GOLD × 13	-	GRAY	5-175448-6
FJPI-4-175448-6	PAPER BOX	PLASTIC TUBE	TIN-LEAD	SELECTIVE GOLD × 24	-	GRAY	4-175448-6
FJPI-4-175448-2	PAPER BOX	PLASTIC TUBE	TIN-LEAD	SELECTIVE GOLD × 24	-	BLACK	4-175448-2
FJPI-4-175448-1	PAPER BOX	PLASTIC TUBE	TIN-LEAD	SELECTIVE GOLD × 24	-	NATURAL	4-175448-1
FJPI-3-175448-6	PAPER BOX	PLASTIC TUBE	TIN-LEAD	SELECTIVE GOLD × 12	11~22	GRAY	3-175448-6
FJPI-3-175448-1	PAPER BOX	PLASTIC TUBE	TIN-LEAD	SELECTIVE GOLD × 4	-	NATURAL	3-175448-1
FJPI-2-175448-6	PAPER BOX	PLASTIC TUBE	TIN-LEAD	SELECTIVE GOLD × 32	-	GRAY	2-175448-6
FJPI-2-175448-1	PAPER BOX	PLASTIC TUBE	TIN-LEAD	SELECTIVE GOLD × 32	-	NATURAL	2-175448-1
FJPI-1-175448-0	PAPER BOX	PLASTIC TUBE	TIN-LEAD	SELECTIVE GOLD × 54	-	GRAY	1-175448-0
FJPI-175448-9	PAPER BOX	PLASTIC TUBE	SELECTIVE-TIN (MATTE)	SELECTIVE GOLD × 32 SELECTIVE-TIN × 22 (BRIGHT)	-	GRAY	175448-9
FJPI-175448-8	PAPER BOX	PLASTIC TUBE	TIN-LEAD	PRE-TIN × 54	-	ORANGE	175448-8
FJPI-175448-6	PAPER BOX	PLASTIC TUBE	TIN-LEAD	PRE-TIN × 54	-	GRAY	175448-6
FJPI-175448-1	PAPER BOX	PLASTIC TUBE	TIN-LEAD	SELECTIVE GOLD × 40	1~4,6~9 12~15,18~21	NATURAL	175448-1

THIS DRAWING IS A CONTROLLED DOCUMENT.		DIN T. SHINOHARA 25JAN06		STE TE Connectivity	
DIMENSIONS: 単位: 寸		TOLERANCES UNLESS OTHERWISE SPECIFIED		APVD K. BETSUJI 25JAN06	
0 PLC ±		1 PLC ±		2 PLC ±	
3 PLC ±		4 PLC ±		5 PLC ±	
MATERIAL HOUSING: PBT CONTACT: BRASS		FINISH 仕上		WEIGHT	
SEE TABLE		CUSTOMER DRAWING		SCALE 2:1 SHEET 1 OF 1 REV N8	