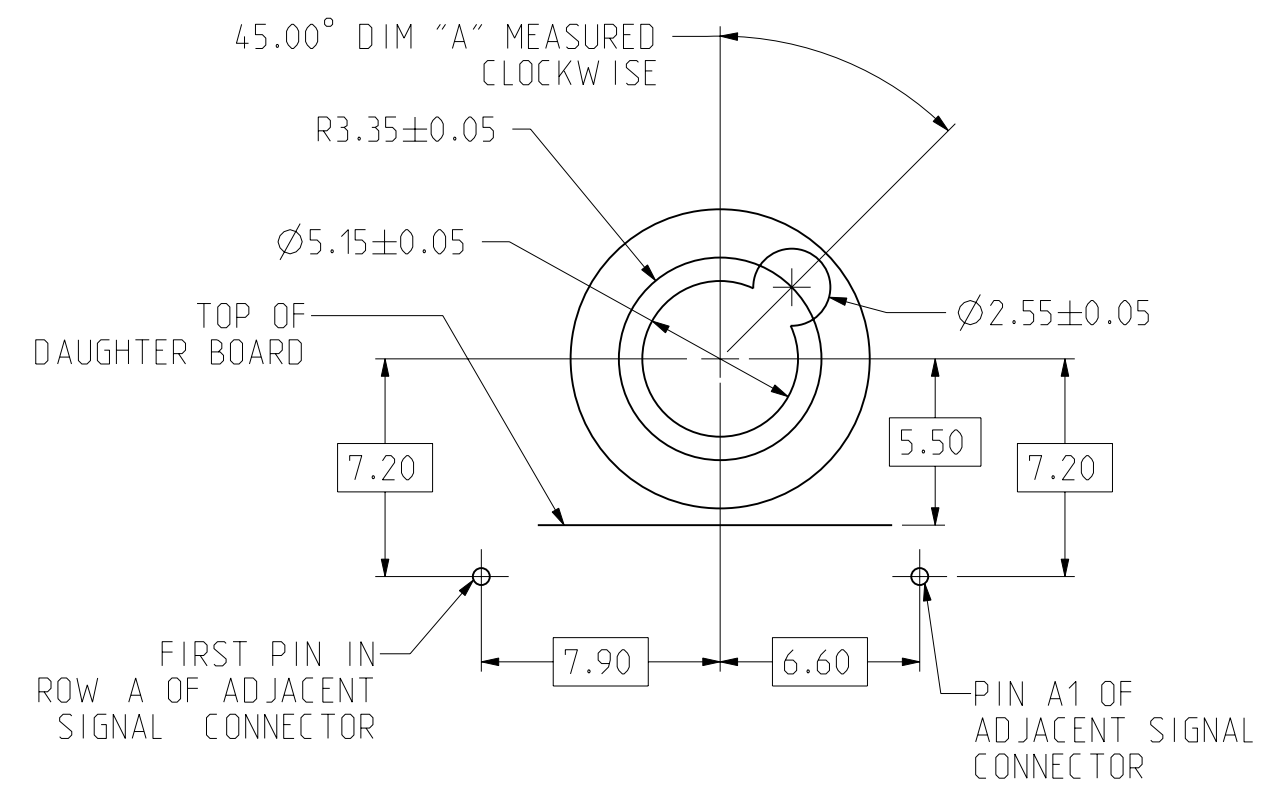
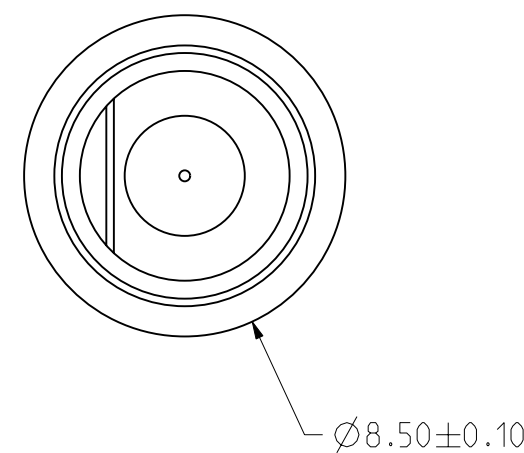
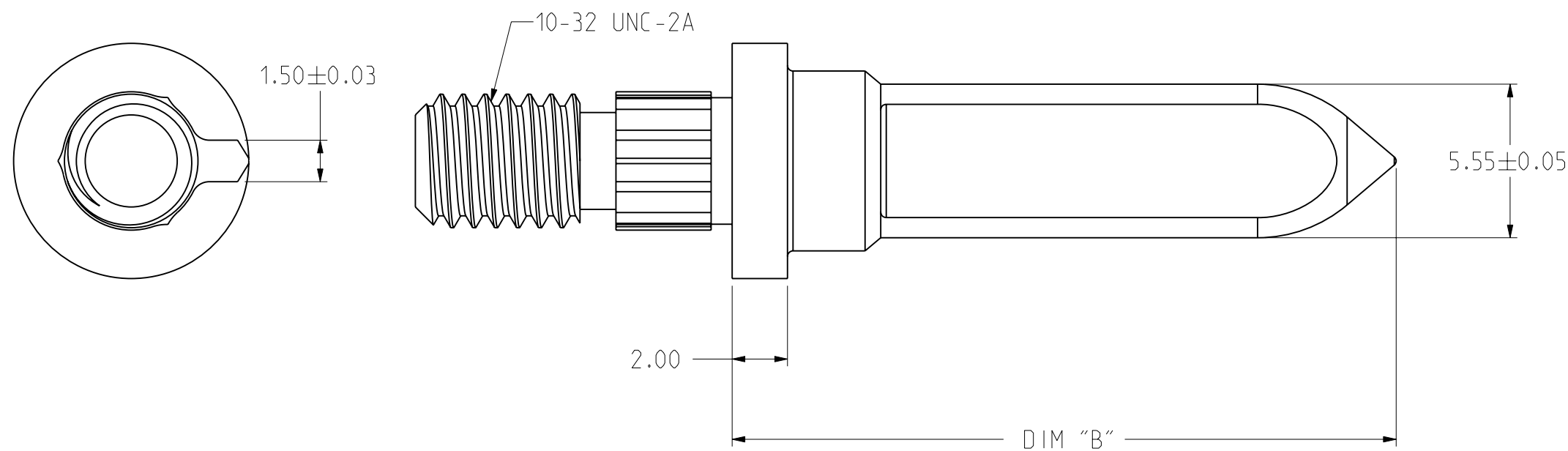
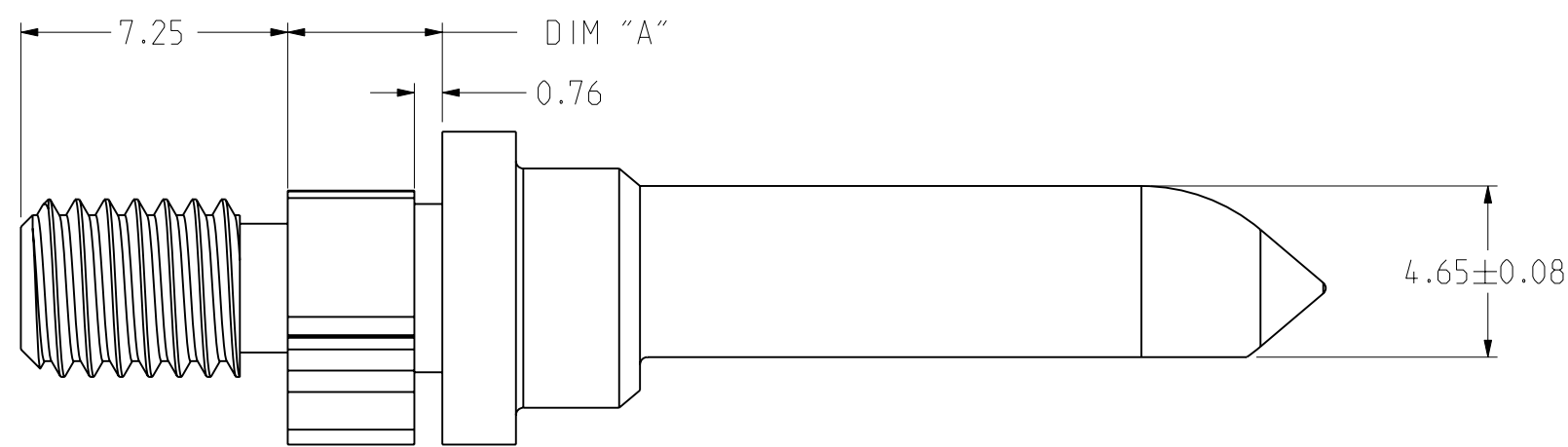


REV. A		SHEET 1 OF 1		DOCUMENT NO. RVPX-HPM-X	
REVISIONS M					
LTR	DESCRIPTION			DATE	
A	INITIAL RELEASE			06-MAY-16	

PART NUMBER	DIM A	DIM B
RVPX-HPM-1	1.32	24.0
RVPX-HPM-2	2.60	24.0
RVPX-HPM-3	4.20	24.0
RVPX-HPM-4	5.70	24.0
RVPX-HPM-5	7.30	24.0
RVPX-HPM-10	1.32	19.0
RVPX-HPM-12	4.20	19.0
RVPX-HPM-13	5.70	19.0



RVPX PIN FOOTPRINT SCALE 4/1

DIM "A"	MATING DC GUIDE
-	RVPX-HMM-9
315°	RVPX-HMM-8
270°	RVPX-HMM-7
90°	RVPX-HMM-3
45°	RVPX-HMM-2
0°	RVPX-HMM-1

- NOTES:
- 4 FINISH: PASSIVATED PER SAE AMS 2700
 - 3 ANNULAR RING PLATED AROUND GUIDE PIN MOUNTING HOLE ON TOP AND BOTTOM SIDE OF BOARD
 - 2 KEY HOLE ORIENTATION (DIM A) PER MATING GUIDE MODULE PART NUMBER TABLE (ORIENTATION SHOWN ON PCB LAYOUT IS FOR RVPX-HMD2)
 - 1 MATERIAL: STAINLESS STEEL (303) PER AMS S640

THE USE OF THIS DOCUMENT IS UNLIMITED. HOWEVER, DOCUMENTS REFERENCED HEREON MAY CONTAIN LIMITED RIGHTS DATA.

RELEASED / May . 20 2016, 11:59:24 AM

DOCUMENT NO. RVPX-HPM-X

SHEET 1 OF 1

REV. A

NONE

NEXT ASSEMBLY

PRO/ENGINEER INFORMATION

Pro/e Model Used:
RVPX-HPM-X.PART
Drawing Name:
RVPX-HPM-X

UNLESS OTHERWISE SPECIFIED	SPECIFICATIONS	POS	QTY	PART NUMBER	DESCRIPTION	NOTE
LINEAR DIMENSIONS ARE IN MILLIMETERS TOLERANCES: .XXXX = ±. - ANGLES= ±1° .XXX = ±. - .XX = ±.13 .X = ±.5 DIM. & TOL. PER ASME Y14.5M; DRM PER MIL-DTL-31000; OTHER Amphenol Stds. PER 9-3800 LEGENDS: =FLAG NOTE CALL OUT REFERENCE ONLY	MATERIAL SPEC.	PARTS LIST				
	SEE NOTE 1	APPROVALS PREPARED BY S. LANGELIER ENGINEER IN CHARGE S. LANGELIER DESIGN MANAGER J. PAUL DESIGN ACTIVITY GROUP BOARD LEVEL DATE 22-MAR-16 AMPHENOL CORPORATION 40-60 DELAWARE AVENUE SIDNEY, N.Y. 13838 RVPX BACKPLANE GUIDE MACHINED				
PROCESS SPEC.	SEE NOTE 4	SIZE C CAGE CODE 77820 SCALE: 5.0 REF. NONE SHEET 1 OF 1				