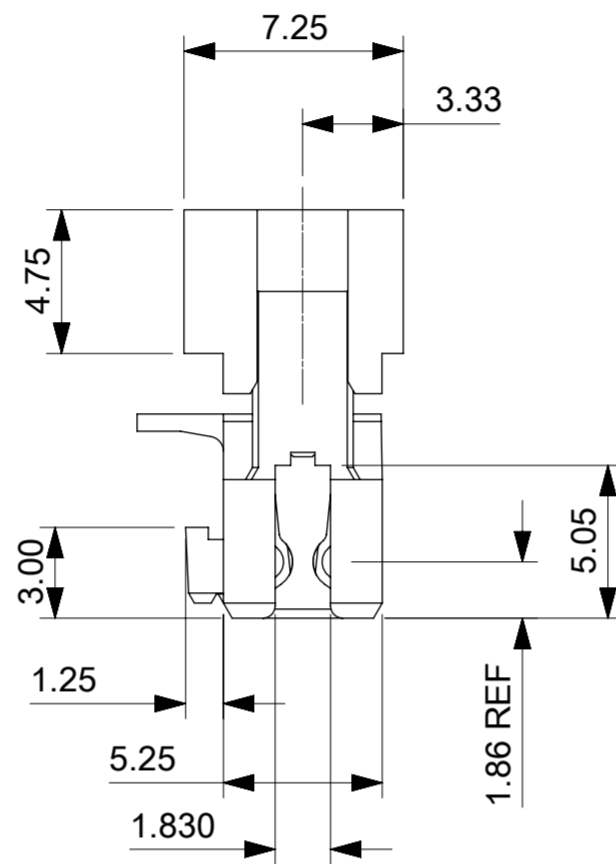


4000012662

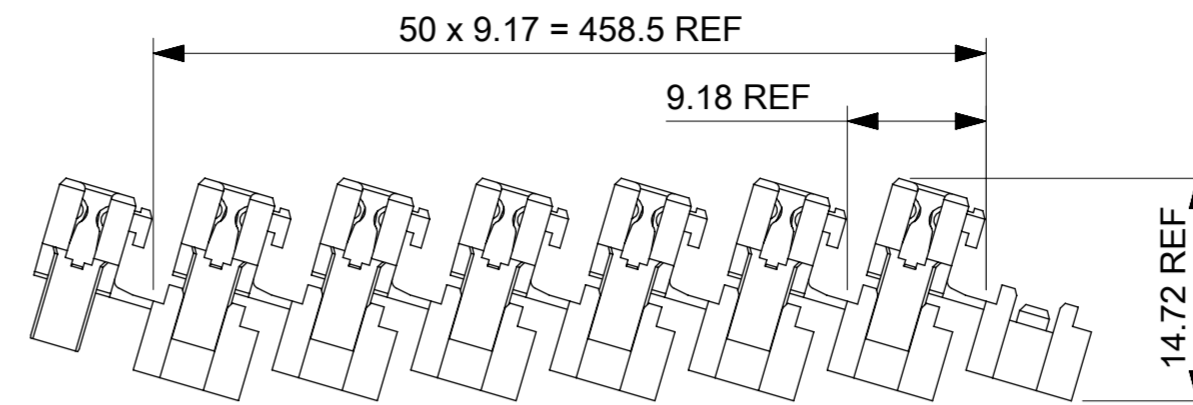
POSITION OF COLOUR STRIPE (see note 3)



POSITION KEYS



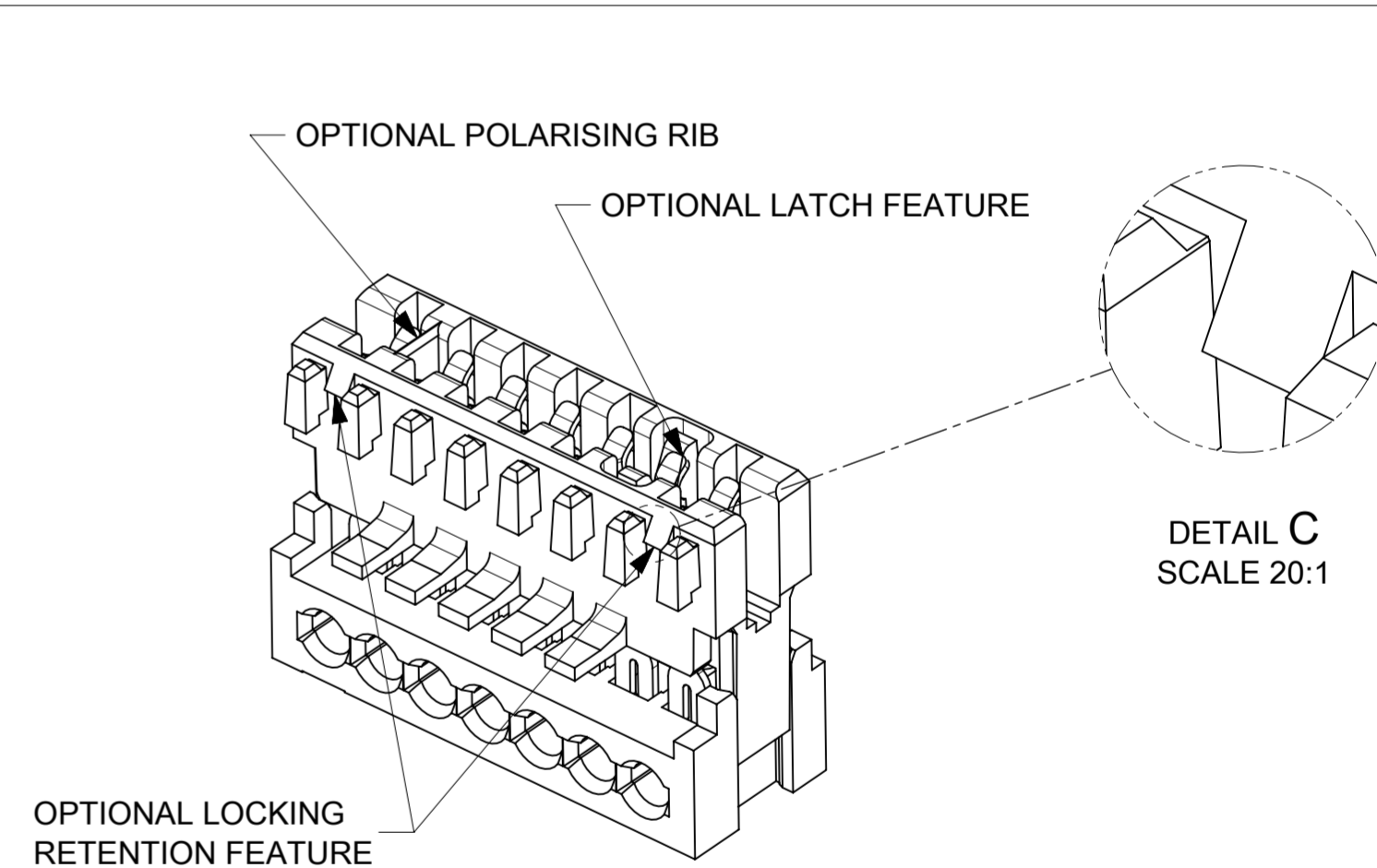
CIRCUIT 1



SHIPPING ARRANGEMENT

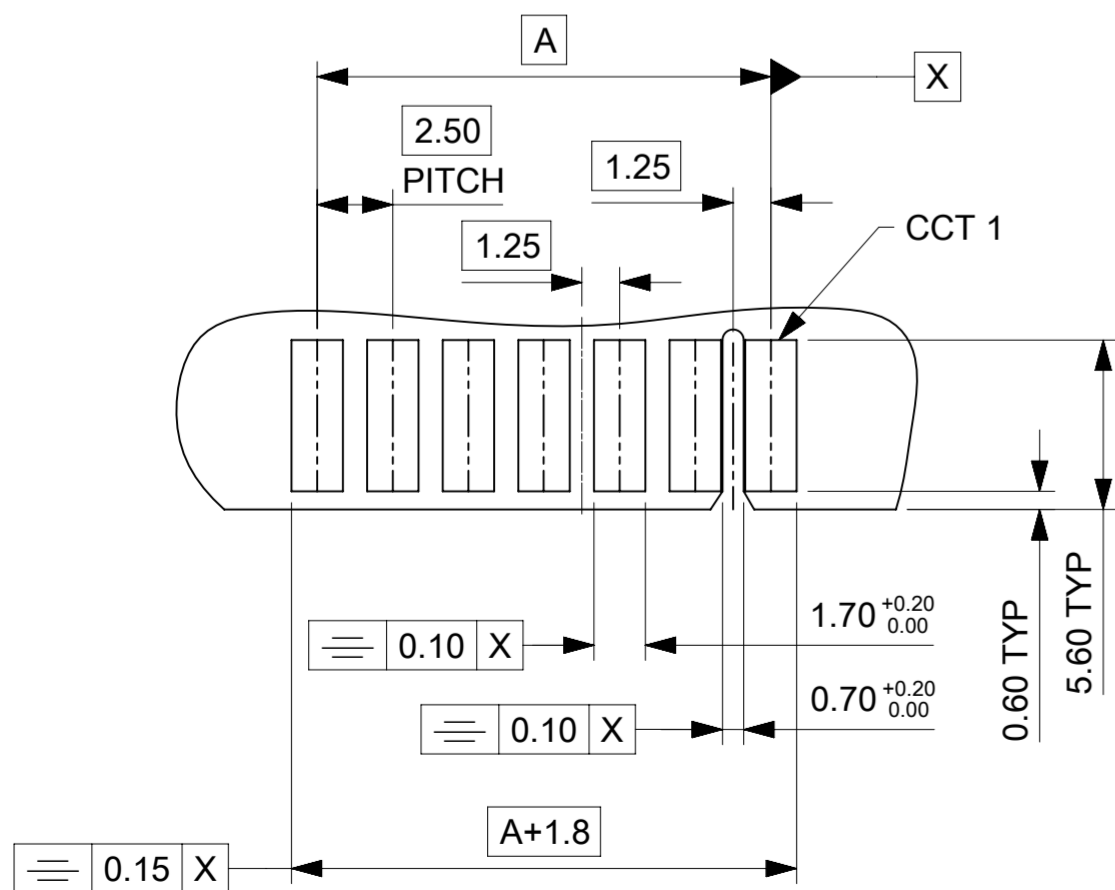
| CCT | A | B |
|-----|------|--------|
| 3 | 5.0 | 9.875 |
| 4 | 7.5 | 12.375 |
| 5 | 10.0 | 14.875 |
| 6 | 12.5 | 17.375 |
| 7 | 15.0 | 19.875 |
| 8 | 17.5 | 22.375 |
| 9 | 20.0 | 24.875 |
| 10 | 22.5 | 27.375 |
| 11 | 25.0 | 29.875 |
| 12 | 27.5 | 32.375 |
| 13 | 30.0 | 34.875 |
| 14 | 32.5 | 37.375 |
| 15 | 35.0 | 39.875 |
| 16 | 37.5 | 42.375 |
| 17 | 40.0 | 44.875 |
| 18 | 42.5 | 47.375 |
| 19 | 45.0 | 49.875 |
| 20 | 47.5 | 52.375 |

OPTIONAL PART FEATURES



SEE SUBSEQUENT SHEETS FOR RELEVANT PART NUMBERS.
*LOCKING RETENTION FEATURE AVAILABLE FIRST AND LAST CIRCUIT ONLY
SMALLEST CIRCUIT SIZE AVAILABLE WITH LOCKING RETENTION FEATURE IS 5 CKT

- NOTES:
- REFER TO PRODUCT SPECIFICATION: PS-99020-0040.
 - MATERIAL: HOUSING - NYLON PA6 UL94-VO, COLOUR: NATURAL (WHITE).
TERMINAL: PHOSPHOR BRONZE 0.30 REF. THICK - PLATING HOT TIN DIP.
 - COLOUR STRIPE IS OPTIONAL. AVAILABLE IN THE FOLLOWING COLOURS: RED, GREEN, BLUE, PURPLE (BOLD SIGNIFIES CUSTOMER SPECIFIC CONFIGURATION).
 - REFER TO PACKAGING SPEC (PK-90871-001)
 - REFER TO APPLICATION SPEC (990330008 AS)
 - RIB THICKNESS = 0.38mm



- PCB LAYOUT FOR 7CCT (2.5mm) CONNECTOR
(WITH OPTIONAL POSITIONAL RIB SLOT BETWEEN CCT 1 & 2)
- RECOMMENDED PCB THICKNESS 1.5±0.14

| | | | | | | | | | | |
|---|--|--------------------|------------------------|-------------------|---------|--|-----------|--|-----------------|--|
| THIS DRAWING CONTAINS INFORMATION THAT IS PROPRIETARY TO MOLEX ELECTRONIC TECHNOLOGIES, LLC AND SHOULD NOT BE USED WITHOUT WRITTEN PERMISSION | | | | | | | | | | |
| DIMENSION UNITS | | SCALE | | CURRENT REV DESC: | | | | | | |
| mm | | NTS | | | | | | | | |
| GENERAL TOLERANCES (UNLESS SPECIFIED) | | | | | | | | | | |
| ANGULAR TOL ± 0.5° | | | | EC NO: 743071 | | | | | | |
| 4 PLACES ± | | DRWN: RAHULH3 | | 2023/03/21 | | | | | | |
| 3 PLACES ± 0.05 | | CHK'D: RAHULH3 | | 2023/03/21 | | | | | | |
| 2 PLACES ± 0.1 | | APPR: MRAMAKRISHNA | | 2023/03/21 | | | | | | |
| 1 PLACE ± 0.2 | | INITIAL REVISION: | | | | | | | | |
| 0 PLACES ± | | DRWN: CFISHER01 | | 2016/05/06 | | | | | | |
| | | APPR: BRUTTLE | | 2016/07/01 | | | | | | |
| DRAFT WHERE APPLICABLE MUST REMAIN WITHIN DIMENSIONS | | | THIRD ANGLE PROJECTION | | DRAWING | | SERIES | | MATERIAL NUMBER | |
| | | | A2-SIZE | | 91716 | | SEE TABLE | | CUSTOMER | |
| | | | GENERAL MARKET | | 1 OF 10 | | | | | |

molex

APPLI-MATE 2.5 FEMALE (MATL: NYLON PA6)

PRODUCT CUSTOMER DRAWING

917160001

PSD 000 N4

| 2 CIRCUIT | | | | | | | | | |
|-------------|--------------|------------------------|----------------|-----------------------|---------------|---------------|--------------|------------------------|---------------|
| PART NUMBER | HOUSING USED | TERMINAL VOID POSITION | LATCH POSITION | REMOVED POSITION KEYS | CONFIGURATION | FIRST ENDWALL | LAST ENDWALL | POLARIZING RIB BETWEEN | COLOUR STRIPE |
| 91716-9001 | 91715-0002 | NONE | NONE | NONE | | OPEN | OPEN | NONE | NONE |
| 91716-9002 | 91715-0042 | NONE | NONE | a | | OPEN | CLOSED | NONE | NONE |
| 91716-9004 | 91715-0002 | NONE | NONE | c | | OPEN | OPEN | NONE | NONE |
| 91716-9005 | 91715-0102 | NONE | NONE | NONE | | OPEN | OPEN | 1&2 | NONE |

| 3 CIRCUIT | | | | | | | | | |
|-------------|--------------|------------------------|----------------|-----------------------|---------------|---------------|--------------|------------------------|---------------|
| PART NUMBER | HOUSING USED | TERMINAL VOID POSITION | LATCH POSITION | REMOVED POSITION KEYS | CONFIGURATION | FIRST ENDWALL | LAST ENDWALL | POLARIZING RIB BETWEEN | COLOUR STRIPE |
| 91716-0001 | 91715-0003 | NONE | NONE | NONE | | OPEN | OPEN | NONE | NONE |
| 91716-0002 | 91715-0003 | NONE | NONE | a d | | OPEN | OPEN | NONE | RED |
| 91716-0013 | 91715-0003 | NONE | NONE | a | | OPEN | OPEN | NONE | NONE |
| 91716-0014 | 91715-0003 | NONE | NONE | b | | OPEN | OPEN | NONE | NONE |
| 91716-0015 | 91715-0003 | NONE | NONE | c | | OPEN | OPEN | NONE | NONE |
| 91716-0016 | 91715-0003 | NONE | NONE | d | | OPEN | OPEN | NONE | NONE |
| 91716-0017 | 91715-0003 | NONE | NONE | b d | | OPEN | OPEN | NONE | NONE |
| 91716-0018 | 91715-0003 | NONE | NONE | a c | | OPEN | OPEN | NONE | NONE |
| 91716-0019 | 91715-0003 | NONE | NONE | a d | | OPEN | OPEN | NONE | NONE |
| 91716-0020 | 91715-0003 | NONE | NONE | a b | | OPEN | OPEN | NONE | NONE |
| 91716-0021 | 91715-0003 | NONE | NONE | b c | | OPEN | OPEN | NONE | NONE |
| 91716-0022 | 91715-0003 | NONE | NONE | c d | | OPEN | OPEN | NONE | NONE |
| 91716-0023 | 91715-0003 | CCT 2 | NONE | b d | | OPEN | OPEN | NONE | NONE |
| 91716-0024 | 91715-0003 | CCT 3 | NONE | c | | OPEN | OPEN | NONE | BLUE |
| 91716-0034 | 91715-0103 | NONE | NONE | NONE | | OPEN | OPEN | 1&2 | NONE |
| 91716-0041 | 91715-0203 | NONE | NONE | NONE | | OPEN | OPEN | 2&3 | NONE |
| 91716-0042 | 91715-0003 | CCT 1 | NONE | NONE | | OPEN | OPEN | NONE | NONE |
| 91716-0043 | 91715-0003 | CCT 1 | NONE | c | | OPEN | OPEN | NONE | NONE |
| 91716-0044 | 91715-0003 | NONE | NONE | b d | | OPEN | OPEN | NONE | BLUE |
| 91716-0045 | 91715-0003 | NONE | NONE | b | | OPEN | OPEN | NONE | BLUE |
| 91716-0046 | 91715-0003 | CCT 1 | NONE | d | | OPEN | OPEN | NONE | NONE |

3CCT CONTINUED ON NEXT SHEET

NOTES

- + DENOTES TERMINAL VOIDED POSITION
- ⊕ DENOTES TERMINAL LOADED POSITION
- | DENOTES POLARIZING RIB POSITION
- MOLEX HOUSING NO. FOR REFERENCE ONLY

| | | | | | | | | | | | |
|---|--|-------|--|------------------------|--|--------------------|--|-------------------------------------|--|---|--|
| THIS DRAWING CONTAINS INFORMATION THAT IS PROPRIETARY TO MOLEX ELECTRONIC TECHNOLOGIES, LLC AND SHOULD NOT BE USED WITHOUT WRITTEN PERMISSION | | | | | | | | | | | |
| DIMENSION UNITS | | SCALE | | CURRENT REV DESC: | | | | | | | |
| mm | | NTS | | | | | | | | | |
| GENERAL TOLERANCES (UNLESS SPECIFIED) | | | | EC NO: 743071 | | | | | | APPLI-MATE 2.5 FEMALE (MATL: NYLON PA6) | |
| ANGULAR TOL ± 0.5° | | | | 4 PLACES ± | | DRWN: RAHULH3 | | 2023/03/21 | | | |
| | | | | 3 PLACES ± 0.05 | | CHK'D: RAHULH3 | | 2023/03/21 | | | |
| | | | | 2 PLACES ± 0.1 | | APPR: MRAMAKRISHNA | | 2023/03/21 | | | |
| | | | | 1 PLACE ± 0.2 | | INITIAL REVISION: | | DOCUMENT NUMBER 917160001 | | | |
| | | | | 0 PLACES ± | | DRWN: CFISHER01 | | | | 2016/05/06 | |
| DRAFT WHERE APPLICABLE MUST REMAIN WITHIN DIMENSIONS | | | | THIRD ANGLE PROJECTION | | DRAWING | | SERIES | | MATERIAL NUMBER | |
| | | | | | | A2-SIZE | | 91716 | | SEE TABLE | |
| | | | | | | CUSTOMER | | GENERAL MARKET | | SHEET NUMBER | |
| | | | | | | | | | | 2 OF 10 | |

5 CIRCUIT

| PART NUMBER | HOUSING USED | TERMINAL VOID POSITION | LATCH POSITION | REMOVED POSITION KEYS | CONFIGURATION | FIRST ENDWALL | LAST ENDWALL | POLARIZING RIB BETWEEN | COLOUR STRIPE | |
|-------------|--------------|------------------------|----------------|-----------------------|---------------|---------------|--------------|------------------------|---------------|---------------------------|
| 91716-1001 | 91715-0005 | NONE | NONE | NONE | | OPEN | OPEN | NONE | NONE | |
| 91716-1002 | 91715-0305 | NONE | NONE | ALL | | OPEN | OPEN | 3&4 | NONE | |
| 91716-1003 | 91715-0405 | NONE | NONE | NONE | | OPEN | OPEN | 4&5 | NONE | |
| 91716-1004 | 91715-0005 | NONE | NONE | c d | | OPEN | OPEN | NONE | NONE | |
| 91716-1005 | 91715-0005 | NONE | NONE | a | | OPEN | OPEN | NONE | NONE | |
| 91716-1006 | 91715-0005 | NONE | NONE | b | | OPEN | OPEN | NONE | NONE | |
| 91716-1007 | 91715-0005 | NONE | NONE | a b e f | | OPEN | OPEN | NONE | NONE | |
| 91716-1008 | 91715-0205 | NONE | NONE | NONE | | OPEN | OPEN | 2&3 | NONE | |
| 91716-1009 | 91715-0005 | CCT 2,3,4 | NONE | NONE | | OPEN | OPEN | NONE | NONE | |
| 91716-1010 | 91715-0005 | CCT 2 | NONE | c | | OPEN | OPEN | NONE | NONE | |
| 91716-1011 | 91715-0005 | CCT 2 | NONE | d | | OPEN | OPEN | NONE | NONE | |
| 91716-1012 | 91715-0005 | CCT 2 | NONE | b | | OPEN | OPEN | NONE | NONE | |
| 91716-1013 | 91715-0005 | CCT 2 | NONE | a | | OPEN | OPEN | NONE | NONE | |
| 91716-1014 | 91715-0005 | NONE | NONE | b c d e | | OPEN | OPEN | NONE | NONE | |
| 91716-1015 | 91715-0305 | CCT 2,3,4 | NONE | NONE | | OPEN | OPEN | 3&4 | RED | |
| 91716-1016 | 91715-0005 | CCT 2 | NONE | b | | OPEN | OPEN | NONE | RED | |
| 91716-1017 | 91715-0005 | NONE | NONE | d e | | OPEN | OPEN | NONE | NONE | |
| 91716-1018 | 91715-0005 | NONE | NONE | a d f | | OPEN | OPEN | NONE | NONE | |
| 91716-1019 | 91715-0105 | NONE | NONE | NONE | | OPEN | OPEN | 1&2 | NONE | |
| 91716-1020 | 91715-0005 | CCT 2,3,4 | NONE | b | | OPEN | OPEN | NONE | NONE | |
| 91716-1021 | 91715-0005 | NONE | NONE | d | | OPEN | OPEN | NONE | NONE | |
| 91716-1022 | 91715-0005 | NONE | NONE | b f | | OPEN | OPEN | NONE | RED | |
| 91716-1023 | 91715-0005 | CCT 2,3,4 | NONE | c e | | OPEN | OPEN | NONE | NONE | |
| 91716-1024 | 91715-0205 | NONE | NONE | a b e f | | OPEN | OPEN | 2&3 | NONE | |
| 91716-1025 | 91715-0005 | CCT 2,3,4 | NONE | c f | | OPEN | OPEN | NONE | NONE | |
| 91716-1026 | 93473-0205 | NONE | NONE | ALL | | OPEN | OPEN | 2&3 | NONE | LOCKING RETENTION FEATURE |
| 91716-1027 | 91715-0205 | NONE | NONE | ALL | | OPEN | OPEN | 2&3 | NONE | |
| 91716-1028 | 93473-0005 | NONE | NONE | NONE | | OPEN | OPEN | NONE | NONE | LOCKING RETENTION FEATURE |
| 91716-1029 | 91715-0005 | NONE | NONE | b c d | | OPEN | OPEN | NONE | NONE | |
| 91716-1030 | 91715-0085 | NONE | NONE | NONE | | NARROW | OPEN | NONE | NONE | |

5 CIRCUIT

| PART NUMBER | HOUSING USED | TERMINAL VOID POSITION | LATCH POSITION | REMOVED POSITION KEYS | CONFIGURATION | FIRST ENDWALL | LAST ENDWALL | POLARIZING RIB BETWEEN | COLOUR STRIPE | |
|-------------|--------------|------------------------|----------------|-----------------------|---------------|---------------|--------------|------------------------|---------------|------|
| 91716-1031 | 91715-0305 | NONE | NONE | b c d e f | | OPEN | OPEN | 3 & 4 | NONE | (N3) |
| 91716-1032 | 91715-0405 | NONE | NONE | b c d e f | | OPEN | OPEN | 4 & 5 | NONE | (N3) |

NOTES

- + DENOTES TERMINAL VOIDED POSITION
⊕ DENOTES TERMINAL LOADED POSITION
| DENOTES POLARIZING RIB POSITION
- MOLEX HOUSING NO. FOR REFERENCE ONLY

| | | | | | | | | | | | |
|---|--|------------------------|--|-------------------|--|--------------------|--|-----------------|--|--|--|
| THIS DRAWING CONTAINS INFORMATION THAT IS PROPRIETARY TO MOLEX ELECTRONIC TECHNOLOGIES, LLC AND SHOULD NOT BE USED WITHOUT WRITTEN PERMISSION | | | | | | | | | | | |
| DIMENSION UNITS | | SCALE | | CURRENT REV DESC: | | | | | | | |
| mm | | NTS | | | | | | | | | |
| GENERAL TOLERANCES (UNLESS SPECIFIED) | | | | EC NO: 743071 | | | | | | APPLI-MATE 2.5 FEMALE (MATL: NYLON PA6) | |
| ANGULAR TOL ± 0.5° | | | | 4 PLACES ± | | DRWN: RAHULH3 | | 2023/03/21 | | | |
| | | | | 3 PLACES ± 0.05 | | CHK'D: RAHULH3 | | 2023/03/21 | | | |
| | | | | 2 PLACES ± 0.1 | | APPR: MRAMAKRISHNA | | 2023/03/21 | | PRODUCT CUSTOMER DRAWING | |
| | | | | 1 PLACE ± 0.2 | | INITIAL REVISION: | | DOCUMENT NUMBER | | | |
| | | | | 0 PLACES ± | | DRWN: CFISHER01 | | 2016/05/06 | | 917160001 | |
| | | | | APPR: BRUTTLE | | 2016/07/01 | | | | PSD 000 N4 | |
| DRAFT WHERE APPLICABLE MUST REMAIN WITHIN DIMENSIONS | | THIRD ANGLE PROJECTION | | DRAWING | | SERIES | | MATERIAL NUMBER | | CUSTOMER | |
| | | | | A2-SIZE | | 91716 | | SEE TABLE | | GENERAL MARKET | |
| | | | | | | | | | | SHEET NUMBER | |
| | | | | | | | | | | 4 OF 10 | |

6 CIRCUIT

| PART NUMBER | HOUSING USED | TERMINAL VOID POSITION | LATCH POSITION | REMOVED POSITION KEYS | CONFIGURATION | FIRST ENDWALL | LAST ENDWALL | POLARIZING RIB BETWEEN | COLOUR STRIPE | |
|-------------|--------------|------------------------|----------------|-----------------------|---------------|---------------|--------------|------------------------|---------------|---------------------------|
| 91716-1559 | 91715-0006 | CCT 1 | NONE | NONE | | OPEN | OPEN | NONE | NONE | |
| 91716-1560 | 91715-0006 | NONE | NONE | a c e f g | | OPEN | OPEN | NONE | NONE | |
| 91716-1561 | 91715-0006 | NONE | NONE | a d g | | OPEN | OPEN | NONE | NONE | |
| 91716-1562 | 91715-0006 | NONE | NONE | a c d e f g | | OPEN | OPEN | NONE | NONE | |
| 91716-1563 | 91715-0006 | CCT 5 | NONE | a c d e f g | | OPEN | OPEN | NONE | NONE | |
| 91716-1564 | 91715-0006 | CCT 6 | NONE | a c d e f g | | OPEN | OPEN | NONE | NONE | |
| 91716-1565 | 91715-0006 | CCT 5 | NONE | NONE | | OPEN | OPEN | NONE | NONE | |
| 91716-1566 | 93473-0006 | NONE | NONE | NONE | | OPEN | OPEN | NONE | NONE | LOCKING RETENTION FEATURE |
| 91716-1567 | 93473-0006 | NONE | NONE | d f | | OPEN | OPEN | NONE | NONE | LOCKING RETENTION FEATURE |
| 91716-1568 | 93473-0006 | CCT 1 | NONE | NONE | | OPEN | OPEN | NONE | NONE | LOCKING RETENTION FEATURE |
| 91716-1569 | 93473-0006 | NONE | NONE | a c d e f g | | OPEN | OPEN | NONE | NONE | LOCKING RETENTION FEATURE |
| 91716-1570 | 93473-0006 | CCT 5 | NONE | a c d e f g | | OPEN | OPEN | NONE | NONE | LOCKING RETENTION FEATURE |
| 91716-1571 | 93473-0006 | CCT 5 | NONE | NONE | | OPEN | OPEN | NONE | NONE | LOCKING RETENTION FEATURE |
| 91716-1572 | 93473-0006 | NONE | NONE | d | | OPEN | OPEN | NONE | PURPLE | LOCKING RETENTION FEATURE |
| 91716-1573 | 91715-0006 | CCT 2,5 | NONE | c e g | | OPEN | OPEN | NONE | RED | |
| 91716-1574 | 91715-0406 | NONE | NONE | a c e g | | OPEN | OPEN | 4&5 | NONE | |
| 91716-1575 | 91715-0106 | NONE | NONE | a g | | OPEN | OPEN | 1&2 | NONE | |
| 91716-1576 | 91715-0106 | CCT 3 | NONE | b | | OPEN | OPEN | 1&2 | NONE | |
| 91716-1577 | 91715-9006 | CCT 3 | CCT 3 | c d | | OPEN | OPEN | 1&2 | BLUE | |

NOTES

- + DENOTES TERMINAL VOIDED POSITION
⊕ DENOTES TERMINAL LOADED POSITION
| DENOTES POLARIZING RIB POSITION
- MOLEX HOUSING NO. FOR REFERENCE ONLY

| | | | | | | | | | |
|---|--------|------------------------|---------|--------|---|--|--|--|--|
| THIS DRAWING CONTAINS INFORMATION THAT IS PROPRIETARY TO MOLEX ELECTRONIC TECHNOLOGIES, LLC AND SHOULD NOT BE USED WITHOUT WRITTEN PERMISSION | | | | | | | | | |
| DIMENSION UNITS | SCALE | CURRENT REV DESC: | | | | | | | |
| mm | NTS | | | | | | | | |
| GENERAL TOLERANCES (UNLESS SPECIFIED) | | EC NO: 743071 | | | APPLI-MATE 2.5 FEMALE (MATL: NYLON PA6) | | | | |
| ANGULAR TOL | ± 0.5° | DRWN: RAHULH3 | | | | | | | |
| 4 PLACES | ± | CHK'D: RAHULH3 | | | PRODUCT CUSTOMER DRAWING | | | | |
| 3 PLACES | ± 0.05 | APPR: MRAMAKRISHNA | | | | | | | |
| 2 PLACES | ± 0.1 | INITIAL REVISION: | | | DOCUMENT NUMBER: 917160001 DOC TYPE: PSD DOC PART: 000 REVISION: N4 | | | | |
| 1 PLACE | ± 0.2 | DRWN: CFISHER01 | | | | | | | |
| 0 PLACES | ± | APPR: BRUTTLE | | | MATERIAL NUMBER: SEE TABLE CUSTOMER: GENERAL MARKET SHEET NUMBER: 6 OF 10 | | | | |
| DRAFT WHERE APPLICABLE MUST REMAIN WITHIN DIMENSIONS | | THIRD ANGLE PROJECTION | DRAWING | SERIES | | | | | |
| | | | A2-SIZE | 91716 | | | | | |

| 7 CIRCUIT | | | | | | | | | | |
|-------------|--------------|------------------------|----------------|-----------------------|---------------|---------------|--------------|------------------------|---------------|---------------------------|
| PART NUMBER | HOUSING USED | TERMINAL VOID POSITION | LATCH POSITION | REMOVED POSITION KEYS | CONFIGURATION | FIRST ENDWALL | LAST ENDWALL | POLARIZING RIB BETWEEN | COLOUR STRIPE | |
| 91716-2001 | 91715-0007 | NONE | NONE | NONE | | OPEN | OPEN | NONE | NONE | |
| 91716-2002 | 91715-0207 | NONE | NONE | ALL | | OPEN | OPEN | 2&3 | NONE | |
| 91716-2004 | 91715-0007 | NONE | NONE | a | | OPEN | OPEN | NONE | NONE | |
| 91716-2005 | 91715-0007 | CCT 2 | NONE | h | | OPEN | OPEN | NONE | NONE | |
| 91716-2006 | 91715-0007 | CCT 4 | NONE | a | | OPEN | OPEN | NONE | NONE | |
| 91716-2007 | 91715-0007 | CCT 2 | NONE | NONE | | OPEN | OPEN | NONE | NONE | |
| 91716-2008 | 91715-0007 | CCT 6 | NONE | NONE | | OPEN | OPEN | NONE | NONE | |
| 91716-2009 | 91715-0007 | CCT 2 | NONE | bceg | | OPEN | OPEN | NONE | BLUE | |
| 91716-2010 | 91715-0007 | CCT 4,6 | NONE | bdf | | OPEN | OPEN | NONE | RED | |
| 91716-2011 | 91715-0007 | CCT 4,6 | NONE | bdf | | OPEN | OPEN | NONE | BLUE | |
| 91716-2012 | 91715-0007 | CCT 2 | NONE | NONE | | OPEN | OPEN | NONE | BLUE | |
| 91716-2013 | 91715-0007 | CCT 2 | NONE | bdafh | | OPEN | OPEN | NONE | BLUE | |
| 91716-2014 | 91715-0007 | CCT 4,6 | NONE | NONE | | OPEN | OPEN | NONE | BLUE | |
| 91716-2015 | 91715-0007 | CCT 4,6 | NONE | cdefh | | OPEN | OPEN | NONE | BLUE | |
| 91716-2016 | 91715-0007 | CCT 6 | NONE | cdefh | | OPEN | OPEN | NONE | BLUE | |
| 91716-2017 | 91715-0007 | CCT 6 | NONE | cdef | | OPEN | OPEN | NONE | BLUE | |
| 91716-2018 | 91715-0007 | CCT 6 | NONE | NONE | | OPEN | OPEN | NONE | BLUE | |
| 91716-2019 | 91715-0007 | CCT 2 | NONE | NONE | | OPEN | OPEN | NONE | BLACK | |
| 91716-2020 | 91715-0007 | NONE | NONE | acefh | | OPEN | OPEN | NONE | NONE | |
| 91716-2021 | 91715-0007 | NONE | NONE | a | | OPEN | OPEN | NONE | BLACK | |
| 91716-2022 | 91715-0007 | NONE | NONE | bcdf | | OPEN | OPEN | NONE | NONE | |
| 91716-2023 | 91715-0007 | NONE | NONE | ad | | OPEN | OPEN | NONE | NONE | |
| 91716-2024 | 91715-0007 | NONE | NONE | abef | | OPEN | OPEN | NONE | NONE | |
| 91716-2025 | 91715-0507 | NONE | NONE | NONE | | OPEN | OPEN | 5&6 | NONE | |
| 91716-2026 | 91715-0007 | NONE | NONE | ALL | | OPEN | OPEN | NONE | NONE | |
| 91716-2027 | 91715-0007 | CCT 6 | NONE | acdef | | OPEN | OPEN | NONE | BLUE | |
| 91716-2028 | 91715-0007 | CCT 1,2,3,4,6 | NONE | acf | | OPEN | OPEN | NONE | NONE | |
| 91716-2029 | 91715-0007 | CCT 4 | NONE | a | | OPEN | OPEN | NONE | RED | |
| 91716-2030 | 93473-0307 | NONE | NONE | ALL | | OPEN | OPEN | 3&4 | NONE | LOCKING RETENTION FEATURE |
| 91716-2031 | 91715-0307 | NONE | NONE | ALL | | OPEN | OPEN | 3&4 | NONE | |

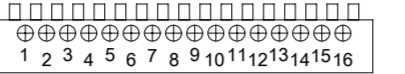
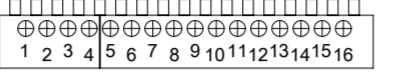
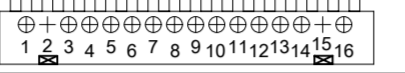
| 7 CIRCUIT | | | | | | | | | | |
|-------------|--------------|------------------------|----------------|-----------------------|---------------|---------------|--------------|------------------------|---------------|---------------------------|
| PART NUMBER | HOUSING USED | TERMINAL VOID POSITION | LATCH POSITION | REMOVED POSITION KEYS | CONFIGURATION | FIRST ENDWALL | LAST ENDWALL | POLARIZING RIB BETWEEN | COLOUR STRIPE | |
| 91716-2032 | 93473-0007 | NONE | NONE | NONE | | OPEN | OPEN | NONE | NONE | LOCKING RETENTION FEATURE |
| 91716-2033 | 91715-0627 | NONE | NONE | NONE | | CLOSED | CLOSED | 6&7 | NONE | |
| 91716-2034 | 91715-0007 | NONE | NONE | bcd efg | | OPEN | OPEN | NONE | NONE | |

- NOTES
- + DENOTES TERMINAL VOIDED POSITION
⊕ DENOTES TERMINAL LOADED POSITION
| DENOTES POLARIZING RIB POSITION
 - MOLEX HOUSING NO. FOR REFERENCE ONLY

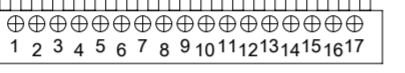
N4
N4

| | | | | | | | | | | | | | | |
|---|--|--------|------------------------|---|---------|--|--------|----------|-----------------|----------|----------------|----------|--------------|--|
| THIS DRAWING CONTAINS INFORMATION THAT IS PROPRIETARY TO MOLEX ELECTRONIC TECHNOLOGIES, LLC AND SHOULD NOT BE USED WITHOUT WRITTEN PERMISSION | | | | | | | | | | | | | | |
| DIMENSION UNITS | | SCALE | | CURRENT REV DESC: | | | | | | | | | | |
| mm | | NTS | | | | | | | | | | | | |
| GENERAL TOLERANCES (UNLESS SPECIFIED) | | | | <p>EC NO: 743071</p> <p>DRWN: RAHULH3 2023/03/21</p> <p>CHK'D: RAHULH3 2023/03/21</p> <p>APPR: MRAMAKRISHNA 2023/03/21</p> <p>INITIAL REVISION:</p> <p>DRWN: CFISHER01 2016/05/06</p> <p>APPR: BRUTTLE 2016/07/01</p> | | | | | | | | | | |
| ANGULAR TOL | | ± 0.5° | | | | | | | | | | | | |
| 4 PLACES | | ± | | | | | | | | | | | | |
| 3 PLACES | | ± 0.05 | | | | | | | | | | | | |
| 2 PLACES | | ± 0.1 | | | | | | | | | | | | |
| 1 PLACE | | ± 0.2 | | DOCUMENT NUMBER | | | | DOC TYPE | | DOC PART | | REVISION | | |
| 0 PLACES | | ± | | 917160001 | | | | PSD | | 000 | | N4 | | |
| DRAFT WHERE APPLICABLE MUST REMAIN WITHIN DIMENSIONS | | | THIRD ANGLE PROJECTION | | DRAWING | | SERIES | | MATERIAL NUMBER | | CUSTOMER | | SHEET NUMBER | |
| | | | | | A2-SIZE | | 91716 | | SEE TABLE | | GENERAL MARKET | | 7 OF 10 | |

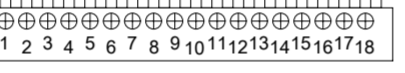
16 CIRCUIT

| PART NUMBER | HOUSING USED | TERMINAL VOID POITION | LATCH POSITION | REMOVED POSITION KEYS | CONFIGURATION | FIRST ENDWALL | LAST ENDWALL | POLARIZING RIB BETWEEN | COLOUR STRIPE |
|-------------|--------------|-----------------------|----------------|-----------------------|--|---------------|--------------|------------------------|---------------|
| 91716-6501 | 91715-0016 | NONE | NONE | NONE |  | OPEN | OPEN | NONE | NONE |
| 91716-6502 | 91715-0416 | NONE | NONE | NONE |  | OPEN | OPEN | 4&5 | NONE |
| 91716-6503 | 91715-7076 | CCT 2 & 15 | CCT 2 & 15 | NONE |  | CLOSED | OPEN | NONE | NONE |

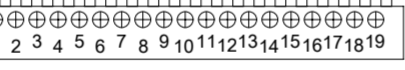
17 CIRCUIT

| PART NUMBER | HOUSING USED | TERMINAL VOID POITION | LATCH POSITION | REMOVED POSITION KEYS | CONFIGURATION | FIRST ENDWALL | LAST ENDWALL | POLARIZING RIB BETWEEN | COLOUR STRIPE |
|-------------|--------------|-----------------------|----------------|-----------------------|--|---------------|--------------|------------------------|---------------|
| 91716-7001 | 91715-0017 | NONE | NONE | NONE |  | OPEN | OPEN | NONE | NONE |

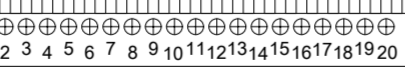
18 CIRCUIT

| PART NUMBER | HOUSING USED | TERMINAL VOID POITION | LATCH POSITION | REMOVED POSITION KEYS | CONFIGURATION | FIRST ENDWALL | LAST ENDWALL | POLARIZING RIB BETWEEN | COLOUR STRIPE |
|-------------|--------------|-----------------------|----------------|-----------------------|---|---------------|--------------|------------------------|---------------|
| 91716-7501 | 91715-0018 | NONE | NONE | NONE |  | OPEN | OPEN | NONE | NONE |

19 CIRCUIT


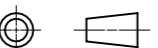
| PART NUMBER | HOUSING USED | TERMINAL VOID POITION | LATCH POSITION | REMOVED POSITION KEYS | CONFIGURATION | FIRST ENDWALL | LAST ENDWALL | POLARIZING RIB BETWEEN | COLOUR STRIPE |
|-------------|--------------|-----------------------|----------------|-----------------------|--|---------------|--------------|------------------------|---------------|
| 91716-8001 | 91715-0019 | NONE | NONE | NONE |  | OPEN | OPEN | NONE | NONE |

20 CIRCUIT

| PART NUMBER | HOUSING USED | TERMINAL VOID POITION | LATCH POSITION | REMOVED POSITION KEYS | CONFIGURATION | FIRST ENDWALL | LAST ENDWALL | POLARIZING RIB BETWEEN | COLOUR STRIPE |
|-------------|--------------|-----------------------|----------------|-----------------------|--|---------------|--------------|------------------------|---------------|
| 91716-8501 | 91715-0020 | NONE | NONE | NONE |  | OPEN | OPEN | NONE | NONE |

NOTES

- + DENOTES TERMINAL VOIDED POSITION
⊕ DENOTES TERMINAL LOADED POSITION
| DENOTES POLARIZING RIB POSITION
- MOLEX HOUSING NO. FOR REFERENCE ONLY

| | | | | | | | | | |
|---|-------|---|---------|--------|---|--|----------------|--|--------------|
| THIS DRAWING CONTAINS INFORMATION THAT IS PROPRIETARY TO MOLEX ELECTRONIC TECHNOLOGIES, LLC AND SHOULD NOT BE USED WITHOUT WRITTEN PERMISSION | | | | | | | | | |
| DIMENSION UNITS | SCALE | CURRENT REV DESC: | | |  APPLI-MATE 2.5 FEMALE (MATL: NYLON PA6) | | | | |
| mm | NTS | | | | | | | | |
| GENERAL TOLERANCES (UNLESS SPECIFIED) | | EC NO: 743071 | | | PRODUCT CUSTOMER DRAWING DOCUMENT NUMBER: 917160001 DOC TYPE: PSD DOC PART: 000 REVISION: N4 | | | | |
| ANGULAR TOL ± 0.5° | | DRWN: RAHULH3 2023/03/21 | | | | | | | |
| 4 PLACES ± | | CHK'D: RAHULH3 2023/03/21 | | | MATERIAL NUMBER: SEE TABLE CUSTOMER: GENERAL MARKET SHEET NUMBER: 10 OF 10 | | | | |
| 3 PLACES ± 0.05 | | APPR: MRAMAKRISHNA 2023/03/21 | | | | | | | |
| 2 PLACES ± 0.1 | | INITIAL REVISION: | | | INITIAL REVISION: DRWN: CFISHER01 2016/05/06 APPR: BRUTTLE 2016/07/01 | | | | |
| 1 PLACE ± 0.2 | | | | | | | | | |
| 0 PLACES ± | | | | | | | | | |
| DRAFT WHERE APPLICABLE MUST REMAIN WITHIN DIMENSIONS | | THIRD ANGLE PROJECTION | DRAWING | SERIES | MATERIAL NUMBER | | CUSTOMER | | SHEET NUMBER |
| | |  | A2-SIZE | 91716 | SEE TABLE | | GENERAL MARKET | | 10 OF 10 |

| | | | | |
|-----------------|----|--------------|------------|----------|
| DOCUMENT STATUS | P1 | RELEASE DATE | 2023/03/21 | 09:38:20 |
|-----------------|----|--------------|------------|----------|