

SURFBOARDS®

THE BREADBOARDING MEDIUM FOR **SURFACE MOUNT™**



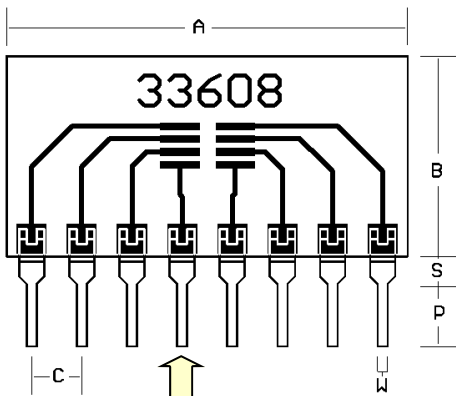
33000 SERIES APPLICATION SPECIFIC ADAPTERS

IDS33608
REV A-10-2011

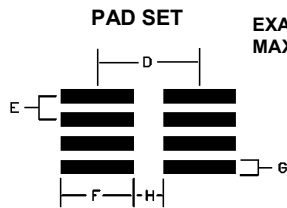
MODEL **33608**

8 LEAD .65 mm PITCH DEVICES

DEVICE LEAD WIDTHS
1.9, 2.0, 2.8, To Max 3.8 MM

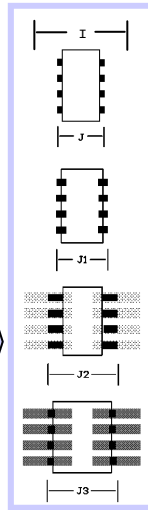


SINGLE-IN-LINE (SIP) PINS
ON .100 in. CENTERS



EXAMPLE DEVICES (J)
MAX DEVICE WIDTH (I)

DRAWINGS
NOT TO
SCALE



MOUNTING PADS ARE OVERSIZED IN LENGTH TO ACCEPT A WIDER RANGE OF DEVICE WIDTHS AND TOLERANCES AND TO PERMIT HAND SOLDERING.
SEE WEBSITE FOR SOLDERING SUGGESTIONS

BOARD SPECIFICATIONS

BOARD MATERIAL: .8mm, +.13mm .031in+-.005 in. Thick G-10 FR-4 Glass Epoxy or equivalent.

CIRCUITS: 1 oz. Copper with RoHS compliant Lead Free solder coating. Patten Position on board +-.5mm .020in.



RoHS
Compliant
EC 2002/95

ACCEPTS
PARTIAL LISTING

SOT-23-8, SOT-28, TSOT-23-8

ALPHA
OMEGA

DFN 3x2A-8L-NEP-P

ANALOG

RJ-8, UJ-8

PANASONIC

WMini8-F1

RENESAS

VSOFF (1629) 8 PIN, VSOFF (2429) 8 PIN

ROHM

TSMT-8, TSST-8

TEXAS INST.

DCN (R-PDSO-G8) SSOP

TOSHIBA

PS-8, VS-8

VISHAY

1206-8

ALWAYS CONSULT DEVICE DATA SHEET TO INSURE PROPER FIT

FIG.	MM	IN.	NOTE:
A	20.32	.800	BOARD WIDTH +-.5mm .020in.
B	10.16	.400	BOARD HEIGHT +-.5mm .020in.
C	2.54	.100	SIP PIN SPACE +-.20mm .008in.
D	2.8	.110	PAD CENTERLINE
E	.65	.025	DEVICE LEAD PITCH
F	2.0	.079	PAD LENGTH
G	.4	.016	PAD WIDTH
H	.8	.031	GAP
I	3.4	.134	MAX LEAD WIDTH
J	1.9	.075	TYPICAL LEAD WIDTH
J1	2.0	.079	ALTERNATE LEAD WIDTH
J2	2.8	.110	ALTERNATE LEAD WIDTH
J3	2.8	.110	ALTERNATE PACKAGE
P	3.3	.130	LENGTH FROM SHOULDER +-.5mm .020in.
S	1.57	.062	PIN SHOULDER HEHT
W	.5	.020	PIN WIDTH

TOLERANCES: If not noted are +-20%. Nominal values are given. Controlling unit is Millimeters. Values rounded to nearest decimal. Slight Variations due to manufacturing process can occur.

Copyright 2011 by Capital Advanced Technologies, Inc. All rights reserved. Surfboards is a registered trademark of Capital Advanced Technologies, Inc. The Breadboarding medium for surface mount, Just add parts and plug-in, and the Leaf Circuit Logo are trademarks of Capital Advanced Technologies, Inc. All other trademarks are the property of their respective owners. Specifications, availability, and price is subject to change without notice. All information given is believed to be accurate but is not guaranteed. The user of information given or products represented by such information is responsible for determining the suitability of said information or products for a given purpose. No inducement is intended or permission granted for infringement of any patent or unauthorized use of any intellectual property of Capital Advanced Technologies or others.

CAPITAL ADVANCED TECHNOLOGIES, INC.
CAROL STREAM, ILLINOIS. USA PHONE 630-690-1696 FAX 630-690-2498
WWW.CapitalAdvanced.Com

MADE
IN
USA