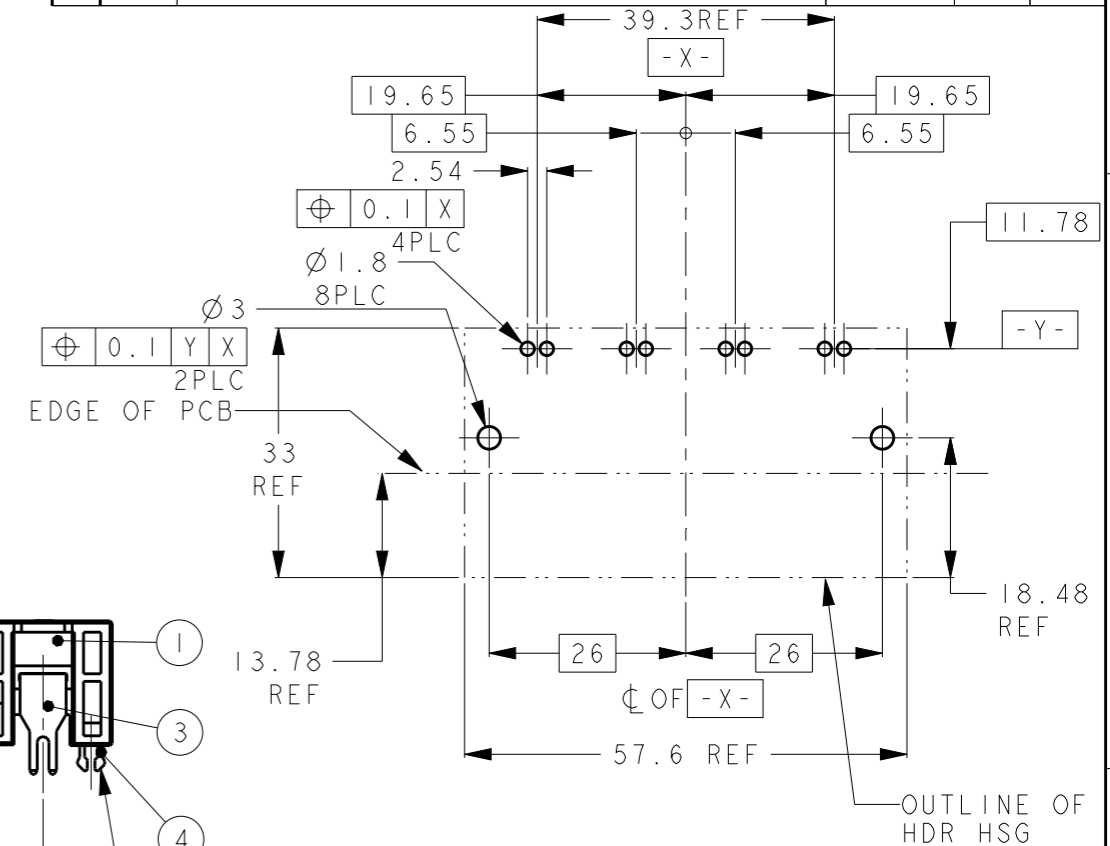
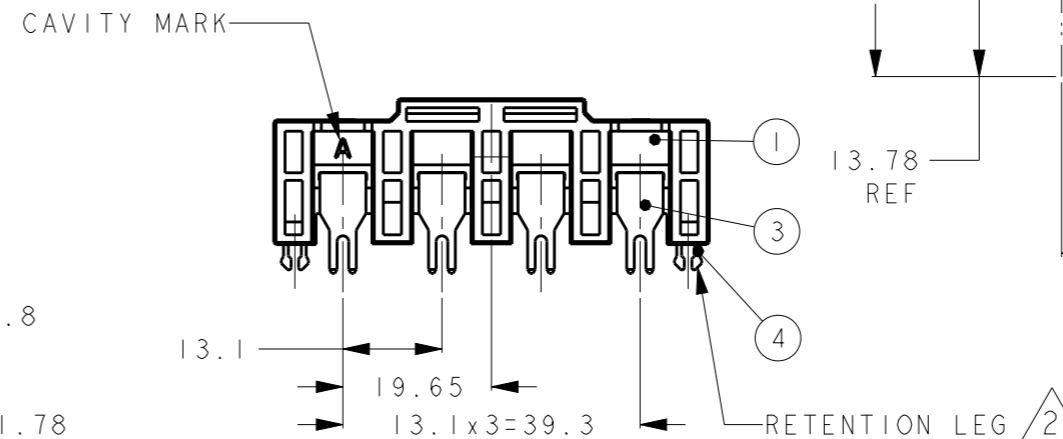
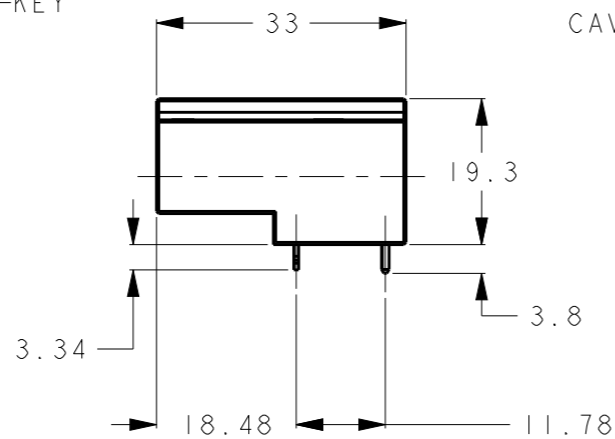
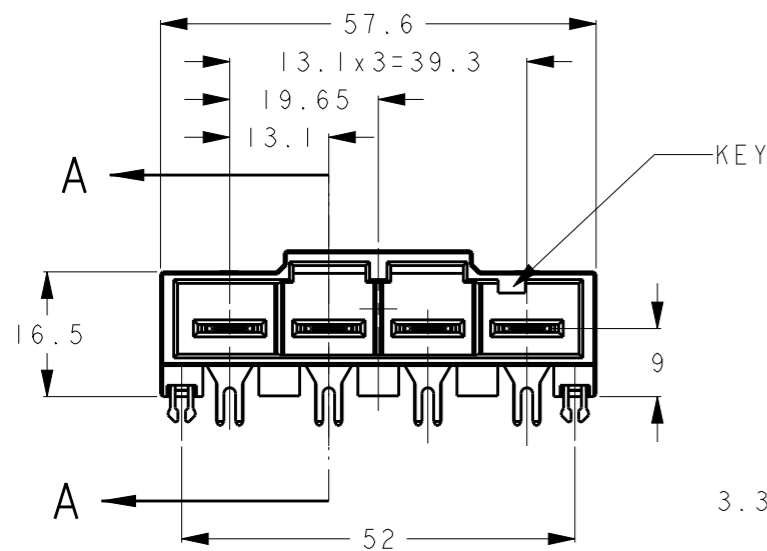
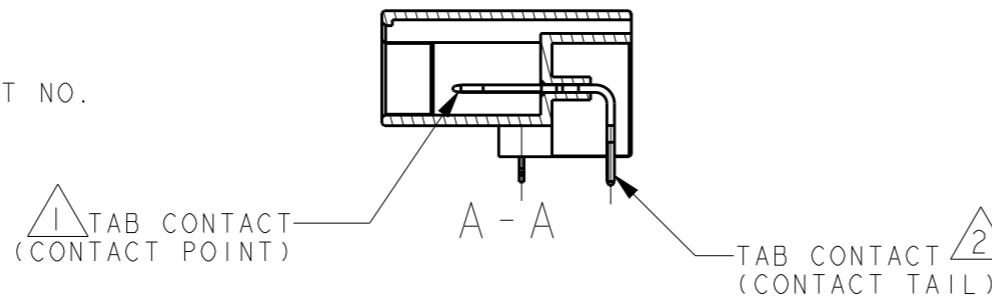
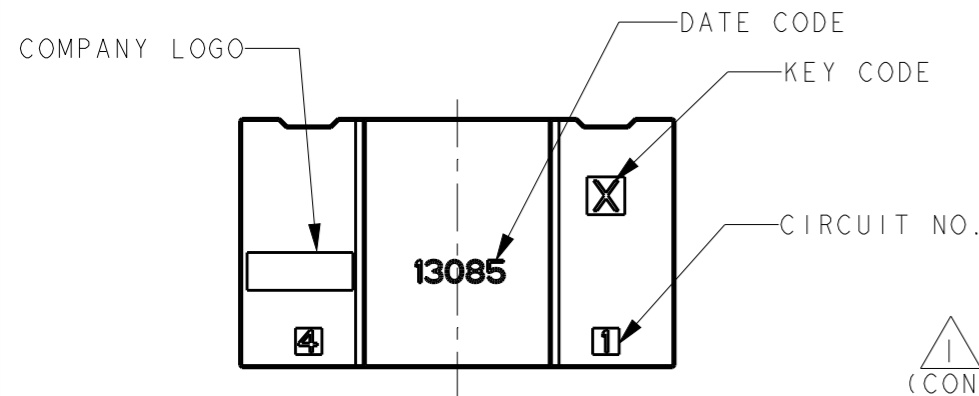
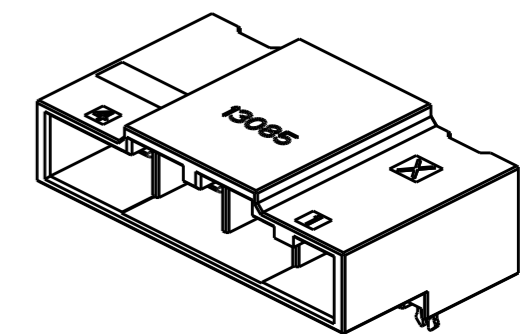




P	LTR	DESCRIPTION	DATE	DWN	APVD
-	-	SEE SHEET 1	-	-	-



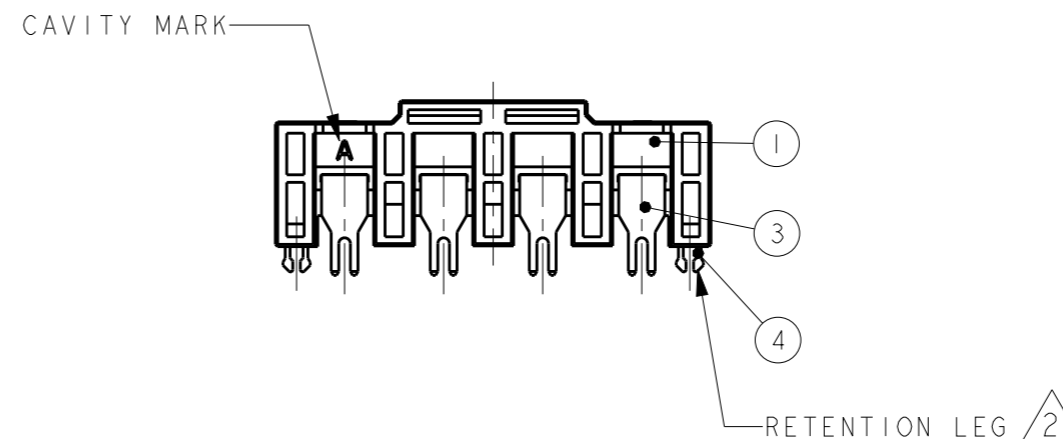
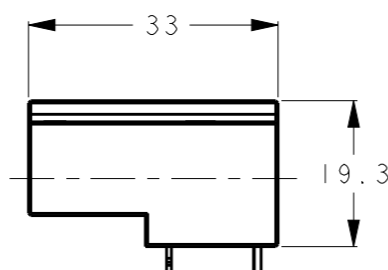
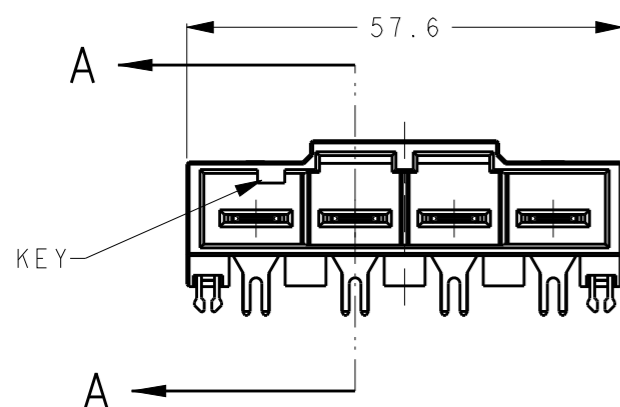
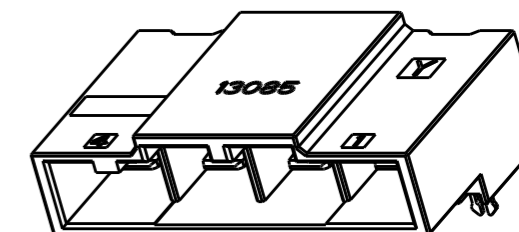
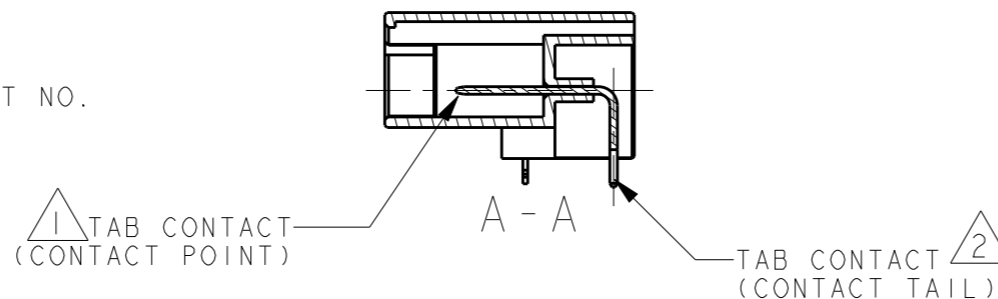
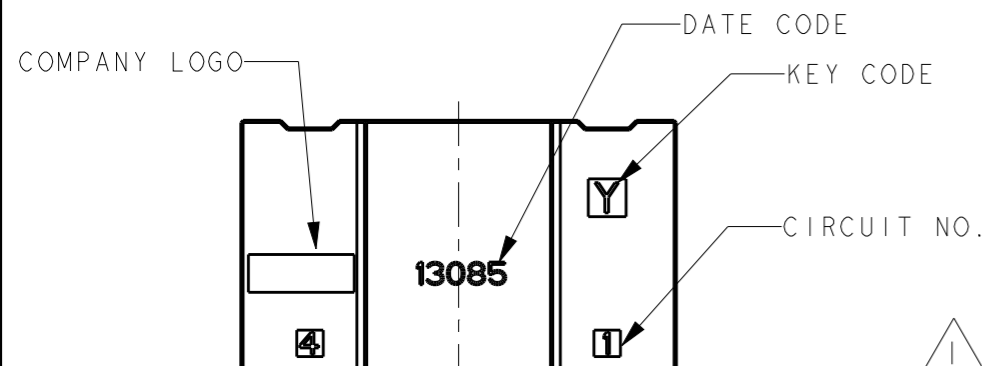
REFERENCE PCB BOARD LAYOUT  
PCB THICKNESS: 1.6~2.4±0.1  
GENERAL TOLERANCE: ±0.05



4-2260661-1 (4POS KEY: X)

THIS DRAWING IS A CONTROLLED DOCUMENT.		DWN M. JIANG 08MAY2020	TE Connectivity	
DIMENSIONS: mm		CHK T. SHIMOYASU 08MAY2020		
TOLERANCES UNLESS OTHERWISE SPECIFIED:		APVD F. IKEMATSU 08MAY2020	NAME DYNAMIC D5900 HEADER ASSEMBLY	
0 PLC ±0.3		PRODUCT SPEC 108-140022	SIZE A300779	
1 PLC ±0.3		APPLICATION SPEC 408-78067	CAGE CODE C-2260661	
2 PLC ±0.3		WEIGHT -	DRAWING NO -	
3 PLC ±0.3		MATERIAL SEE SHEET 1	RESTRICTED TO -	
4 PLC ±0.3			SCALE 1:1	
ANGLES ±3°		CUSTOMER DRAWING		SHEET 2 OF 4
FINISH SEE SHEET 1		REV A		

P	LTR	DESCRIPTION	DATE	DWN	APVD
-	-	SEE SHEET 1	-	-	-

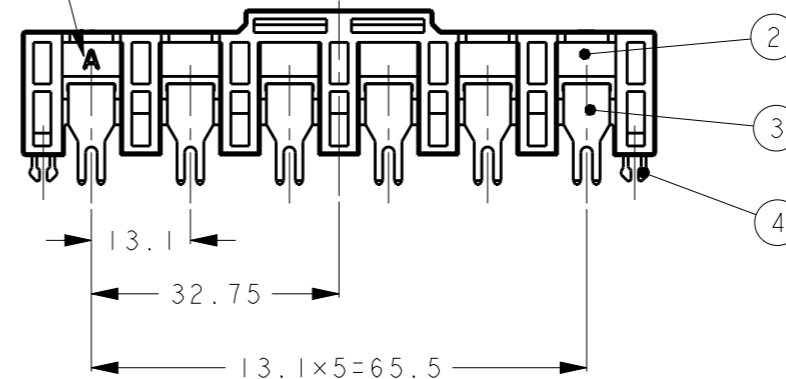
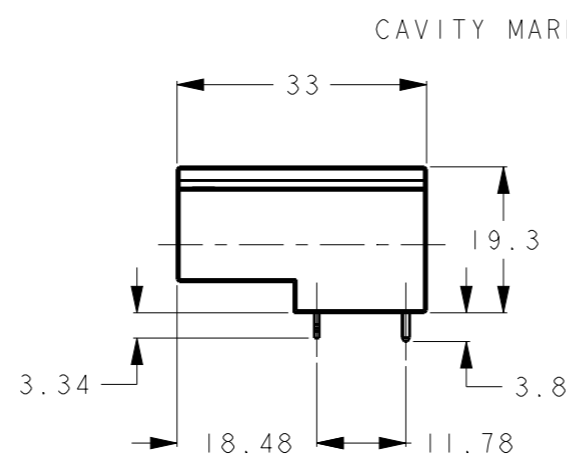
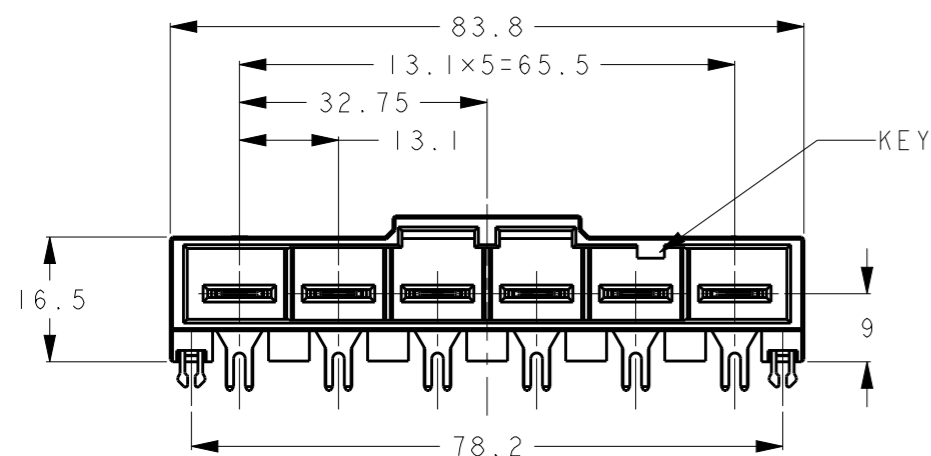
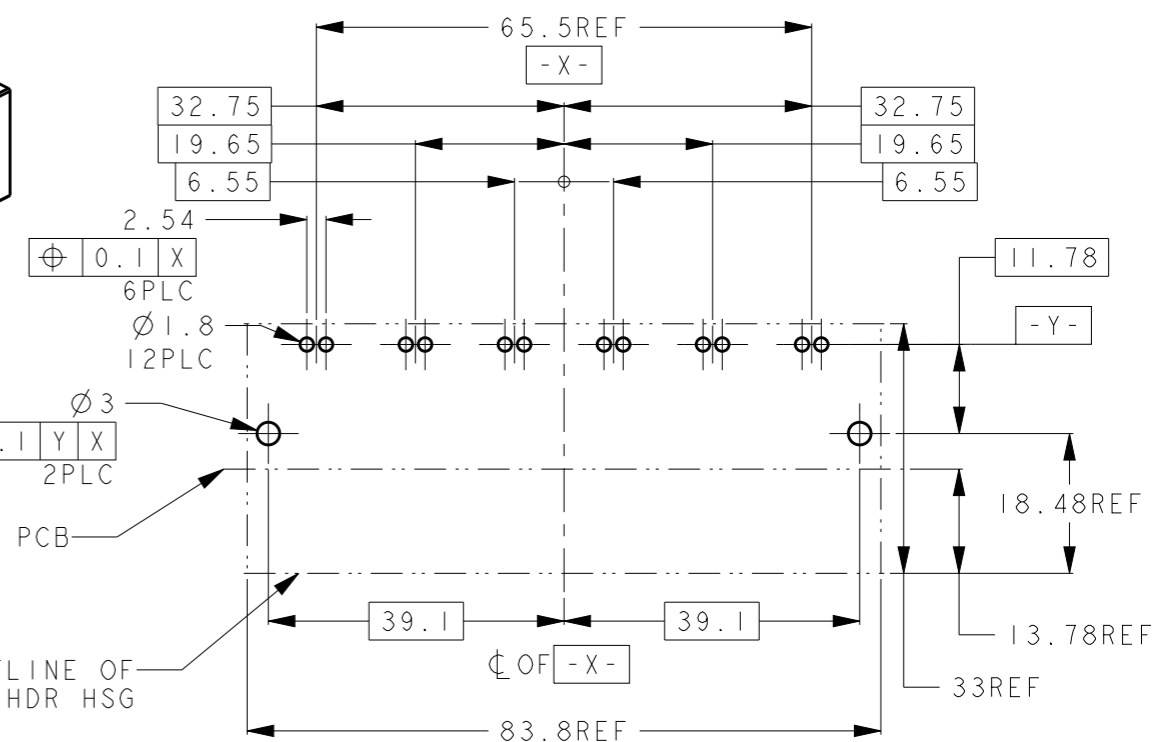
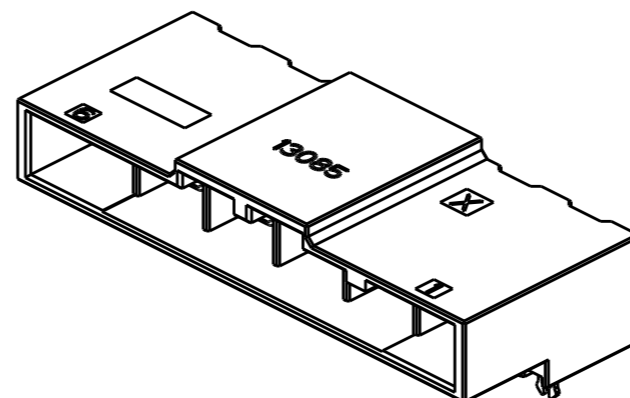
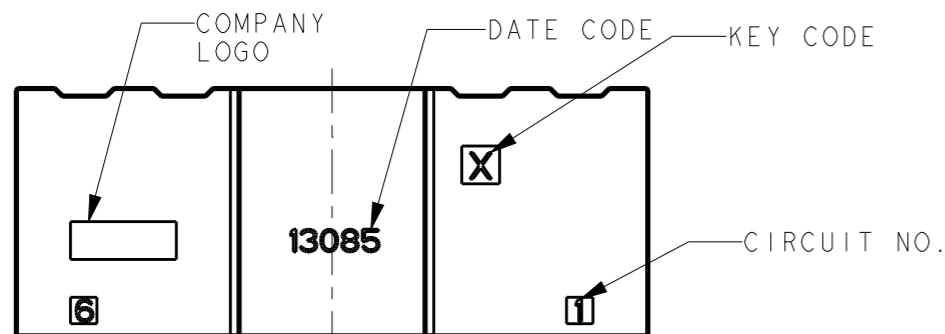


REFER TO SHEET 2 FOR THE DIMENSIONS WHICH ARE NOT INDICATED ON THIS SHEET.

4-2260661-2(4POS KEY:Y)

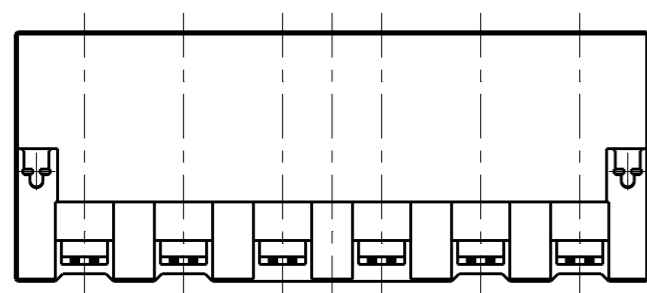
THIS DRAWING IS A CONTROLLED DOCUMENT.		DWN M. JIANG 08MAY2020	TE Connectivity	
DIMENSIONS: mm		CHK T. SHIMOYASU 08MAY2020		
TOLERANCES UNLESS OTHERWISE SPECIFIED:		APVD F. IKEMATSU 08MAY2020	NAME DYNAMIC D5900 HEADER ASSEMBLY	
0 PLC ±0.3 1 PLC ±0.3 2 PLC ±0.3 3 PLC ±0.3 4 PLC ±0.3 ANGLES ±3°		PRODUCT SPEC 108-140022	RESTRICTED TO	
MATERIAL SEE SHEET 1	FINISH SEE SHEET 1	APPLICATION SPEC 408-78067	SIZE A3	CAGE CODE 00779
CUSTOMER DRAWING		WEIGHT -	DRAWING NO C-2260661	REV A
		SCALE 1:1	SHEET 3 OF 4	

P	LTR	DESCRIPTION	DATE	DWN	APVD
-	-	SEE SHEET 1	-	-	-



REFERENCE PCB BOARD LAYOUT  
PCB THICKNESS: 1.6~2.4±0.1  
GENERAL TOLERANCE: ±0.05

6-2260661-1 (6 POS KEY: X)



THIS DRAWING IS A CONTROLLED DOCUMENT.		DWN M. JIANG 08MAY2020	TE Connectivity	
DIMENSIONS: mm		CHK T. SHIMOYASU 08MAY2020		
TOLERANCES UNLESS OTHERWISE SPECIFIED:		APVD F. IKEMATSU 08MAY2020	NAME DYNAMIC D5900 HEADER ASSEMBLY	
0 PLC ±0.3 1 PLC ±0.3 2 PLC ±0.3 3 PLC ±0.3 4 PLC ±0.3 ANGLES ±3°		PRODUCT SPEC 108-140022	SIZE A300779	
MATERIAL SEE SHEET 1		APPLICATION SPEC 408-78067	DRAWING NO C-2260661	
FINISH SEE SHEET 1		WEIGHT -	RESTRICTED TO -	
CUSTOMER DRAWING		SCALE 1:1	SHEET 4 OF 4	
				REV A