



Single Port RJ45 Connector

AR11-4567

- 10/100/1000 Gigabit Base T for LAN, WAN and other Ethernet applications
- Meets IEEE 802.3 specification
- Standard Operating Temp: 0°C +70°C



Electrical Specifications @ 25°C

OCL(μH Min) @100KHz, 0.1V With 8mA DC Bias	Turns Ratio 1CT : 1	Impedance (Ω)	Return Loss (dB Min)	
			0.5-40MHz	40.1-100MHz
350	1 : 1	100	-18	-12-20LOG(f/50)

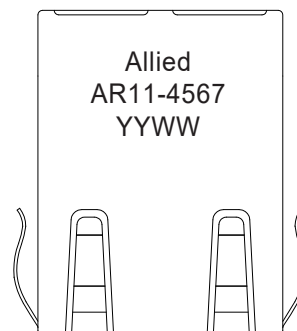
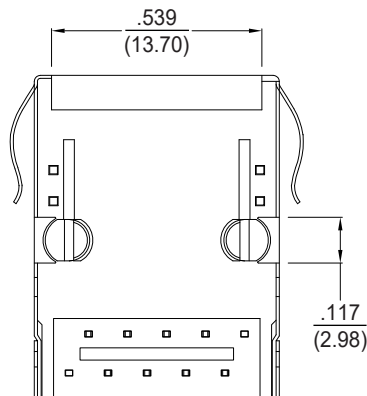
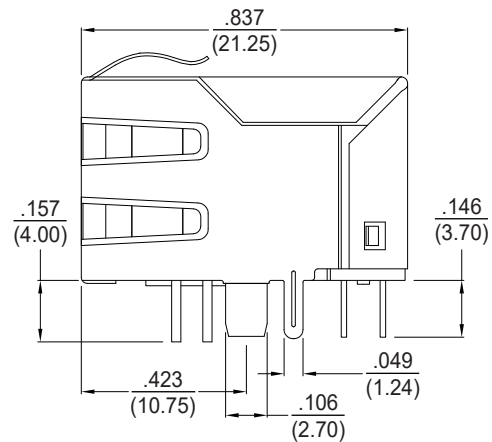
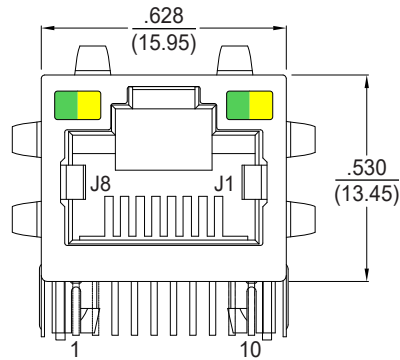
Electrical Specifications @ 25°C

Insertion Loss (dB Max)	Cross Talk (dB Min)		CMR (dB Min)	Hi-Pot
	0.5-40MHz	40.1-100MHz		
-1.1	-35	-33-20LOG(f/50)	-30	1500Vrms

All specifications subject to change without notice.

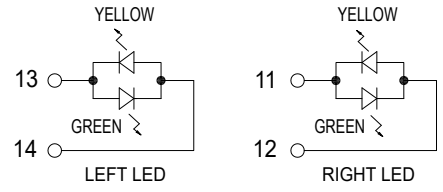
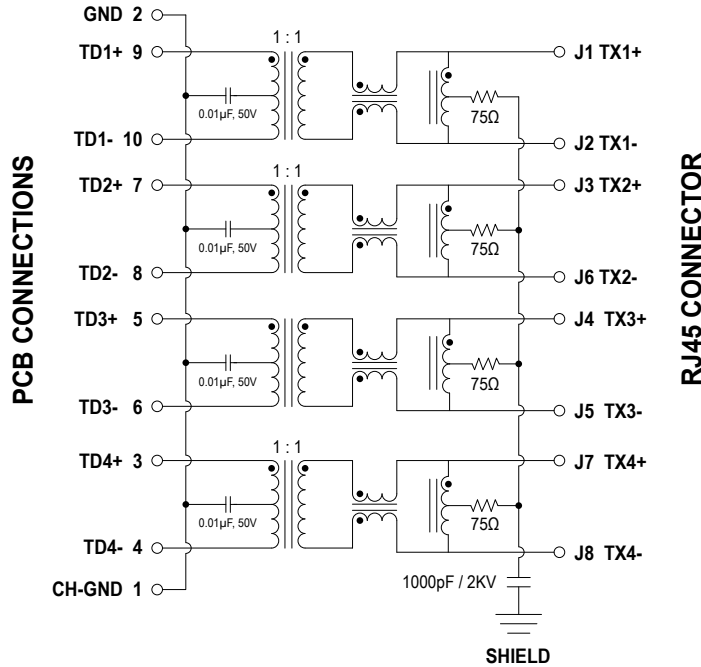
MECHANICAL

Dimensions:  $\frac{\text{inch}}{\text{mm}}$





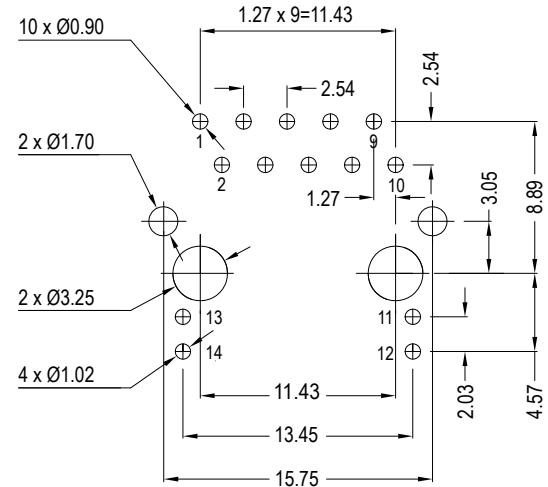
**SCHEMATIC**



Emitting Color	λp(nm)	VF@IF=20mA	IR@VR=5V
GREEN	565	1.8-2.4V	10µA Max
YELLOW	585	1.8-2.4V	10µA Max

**PCB LAYOUT**

Dimensions: mm



Tolerance is ±0.2mm unless otherwise specified

**NOTES**

- Connector Materials:  
 Housing: Thermoplastic PBT+30% G.F. UL94V-0  
 Contact: Phosphor Bronze C5210R-EH Thickness = 0.35mm  
 Pins: Brass C2680R-H Thickness = 0.35mm  
 Shield: SUS 201-1/2H Thickness = 0.20mm  
 Contact Plating: Gold 6µ" min. in contact area
- Wave solder peak temperature: 265°C max, 5 sec. max