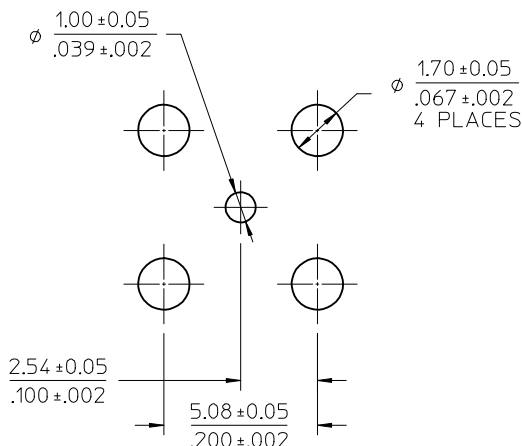
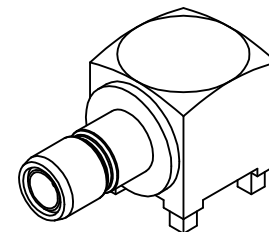
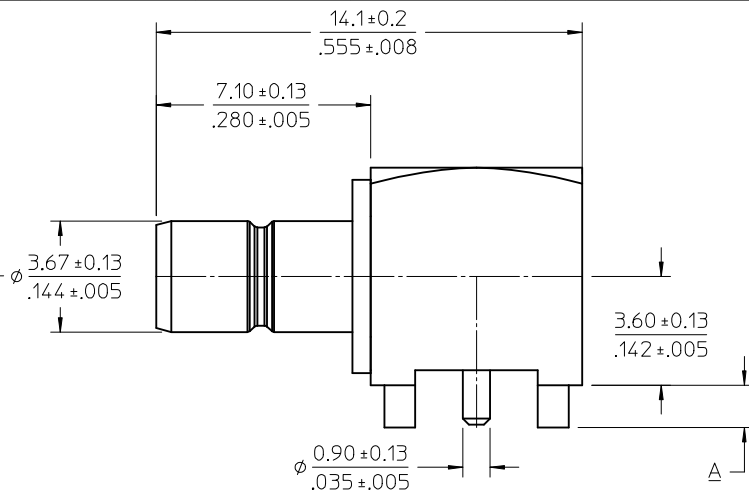
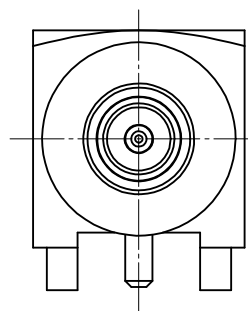


MATERIALS AND FINISHES

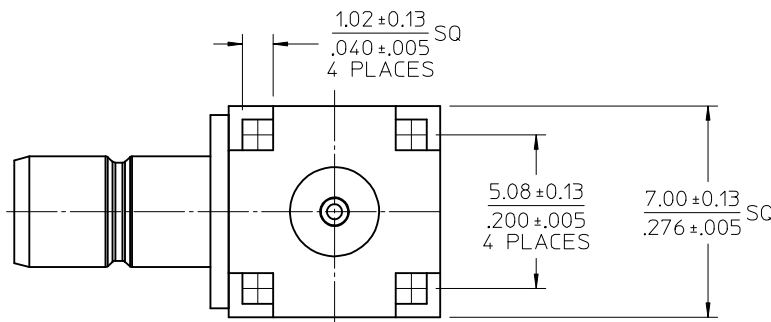
BODY BRASS
PLATED GOLD

CENTER CONTACT BRASS
PLATED GOLD

INSULATOR TEFLON



RECOMMENDED PCB
HOLD CONFIGURATION



73396-0322	.102±.005	2.60±0.13	TAPE REEL
73396-0321	.102±.005	2.60±0.13	TRAY
73396-0320	.055±.005	1.40±0.13	TRAY
PART NO.	IN	MM	PACKAGE
DIM X	A		-

PS-73598-0099	PRODUCT SPECIFICATION
SPECIFICATION	DESCRIPTION

ADDED PACKAGE
DRAWING

EC NO: URF2010-0568
DRAWN BY: DRWINLIN 2010/04/09
CHKD: JOHNSON 2010/08/03
APPR: MHUANG 2010/04/14

QUALITY SYMBOLS
▽=0
▽=0

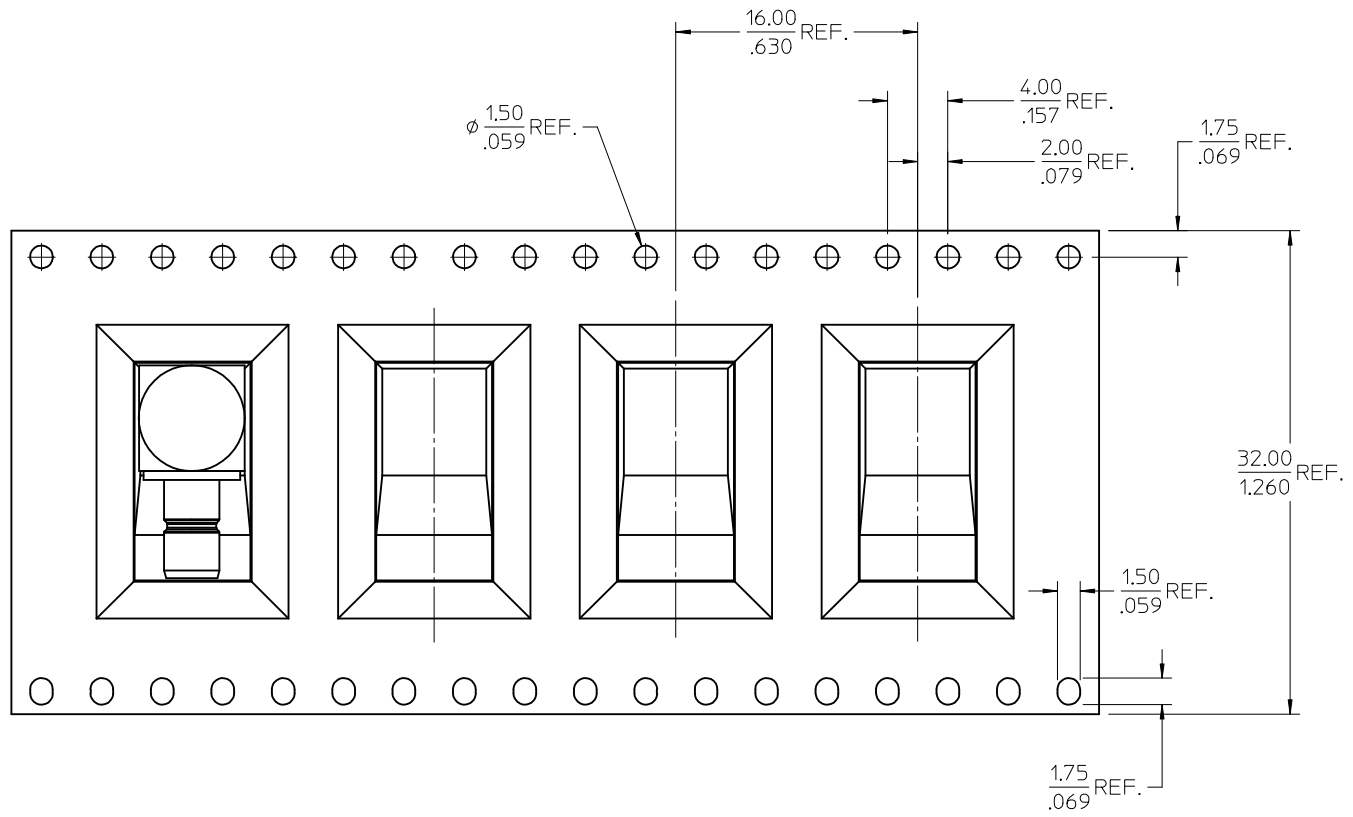
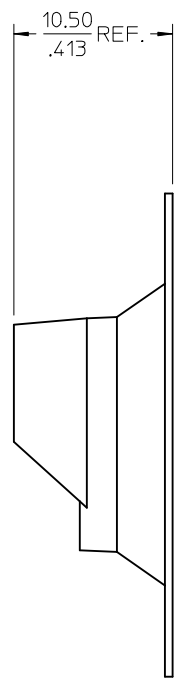
GENERAL TOLERANCES (UNLESS SPECIFIED)
4 PLACES ± --- INCH
3 PLACES ± --- INCH
2 PLACES ± --- INCH
1 PLACE ± --- INCH
ANGULAR ± 2°
DRAFT WHERE APPLICABLE
MUST REMAIN WITHIN DIMENSIONS

DIMENSION STYLE: MM/IN
DRAWN BY: EVITA DATE: 2004/08/03
CHECKED BY: JOHNSON DATE: 2004/08/03
APPROVED BY: MHUANG DATE: 2010/04/13
MATERIAL NO.: SEE TABLE
SIZE: C

SCALE: DESIGN UNITS METRIC
THIRD ANGLE PROJECTION
TITLE: SMB JACK R/A PCB
50 OHMS
SMB-J/PCB
MOLEX INCORPORATED
DOCUMENT NO.: SD-73396-032
SHEET NO.: 1 OF 3
THIS DRAWING CONTAINS INFORMATION THAT IS PROPRIETARY TO MOLEX INCORPORATED AND SHOULD NOT BE USED WITHOUT WRITTEN PERMISSION

13 12 11 10 9 8 7 6 5 4 3 2 1

J
I
H
G
F
E
D
C
B
A



SEE SHEET 1	EC NO: URF2010-0568	2010/04/09
	DRWN:ELIN	2010/04/09
	CHKD:JOHNSON	2010/08/03
	APPR:MHUANG	2010/04/14
REV	DESCRIPTION	
A4		

QUALITY SYMBOLS
▽=0
▽=0

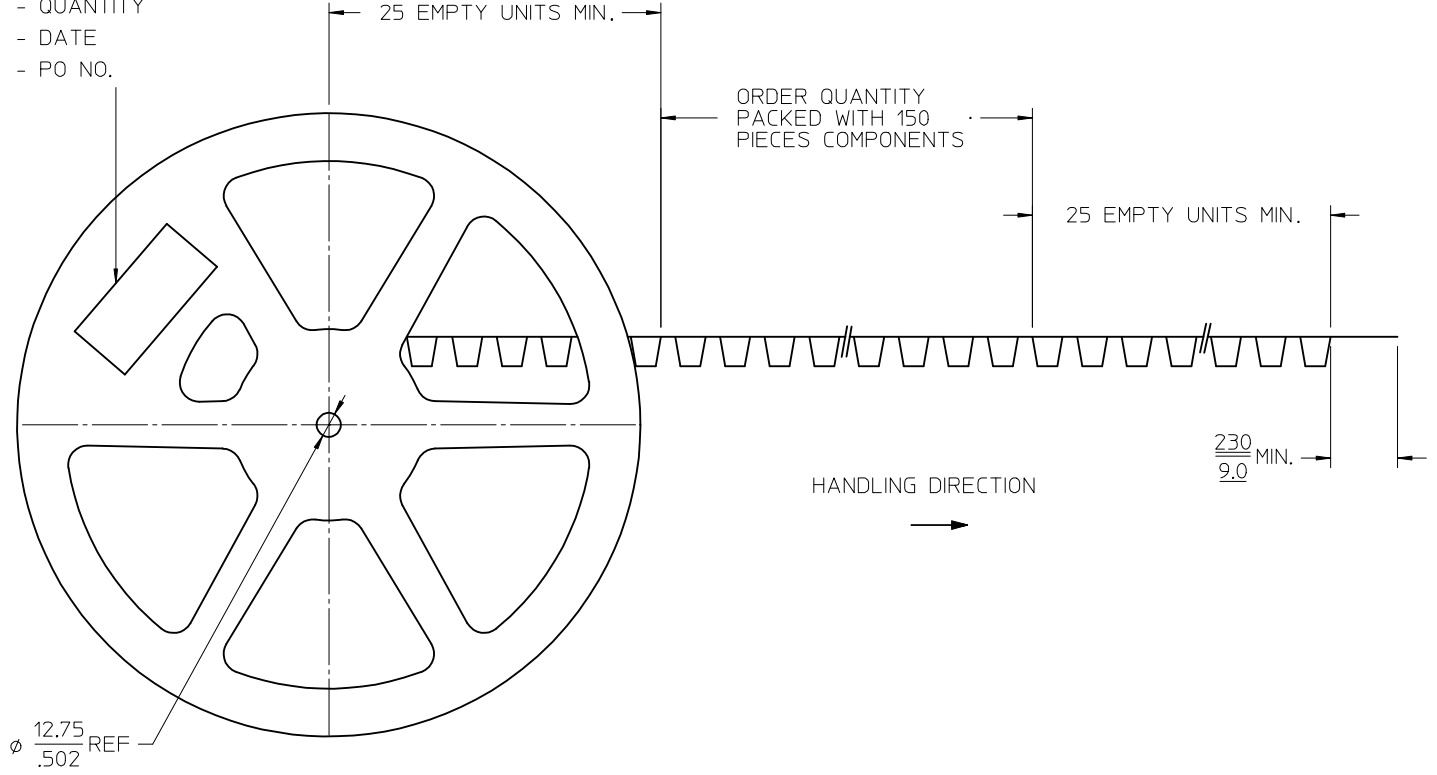
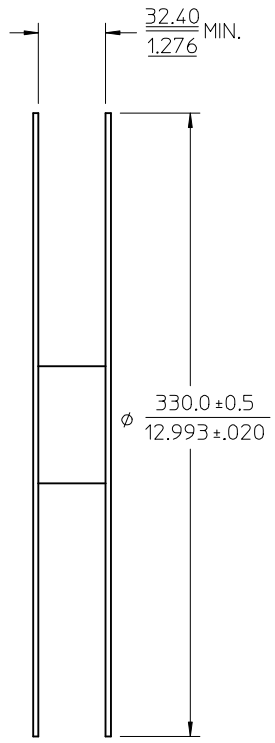
GENERAL TOLERANCES (UNLESS SPECIFIED)	
	mm INCH
4 PLACES	± .005 ± .0002
3 PLACES	± .005 ± .0002
2 PLACES	± .005 ± .0002
1 PLACE	± .005 ± .0002
ANGULAR ± 2°	
DRAFT WHERE APPLICABLE MUST REMAIN WITHIN DIMENSIONS	

DIMENSION STYLE	
MM/IN	
DRAWN BY	DATE
EVITA	2004/08/03
CHECKED BY	DATE
JOHNSON	2004/08/03
APPROVED BY	DATE
MHUANG	2010/04/13
MATERIAL NO.	
SEE TABLE	
SIZE	
C	

SCALE	DESIGN UNITS	THIRD ANGLE PROJECTION
	METRIC	
TITLE		
SMB JACK R/A PCB		
50 OHMS		
SMB-J/PCB		
MOLEX INCORPORATED		SHEET NO.
DOCUMENT NO.		2 OF 3
THIS DRAWING CONTAINS INFORMATION THAT IS PROPRIETARY TO MOLEX INCORPORATED AND SHOULD NOT BE USED WITHOUT WRITTEN PERMISSION		

Ib_frame_C_P_AM_T Rev. E 2006/04/15 12 11 10 9 8 7 6 5 4 3 2 1

LABEL
 - PART NUMBER
 - QUANTITY
 - DATE
 - PO NO.



NOTE:
 13" REEL SIZE FOR 400 PIECES

SEE SHEET 1 EC NO: URF2010-0568 DRAWN BY: DRWNLIN 2010/04/09 CHKD: JOHNSON 2010/08/03 APPR: MHUANG 2010/04/14 REV: A4	QUALITY SYMBOLS ▽=0 ▽=0	GENERAL TOLERANCES (UNLESS SPECIFIED) mm INCH 4 PLACES ± --- ± --- 3 PLACES ± --- ± --- 2 PLACES ± --- ± --- 1 PLACE ± --- ± --- ANGULAR ± 2 °	DIMENSION STYLE MM/IN	SCALE METRIC	DESIGN UNITS METRIC	THIRD ANGLE PROJECTION	
	DRAWN BY: EVITA CHECKED BY: JOHNSON APPROVED BY: MHUANG	DATE: 2004/08/03 DATE: 2004/08/03 DATE: 2010/04/13	TITLE SMB JACK R/A PCB 50 OHMS SMB-J/PCB	MATERIAL NO. SEE TABLE	DOCUMENT NO. SD-73396-032	SHEET NO. 3 OF 3	THIS DRAWING CONTAINS INFORMATION THAT IS PROPRIETARY TO MOLEX INCORPORATED AND SHOULD NOT BE USED WITHOUT WRITTEN PERMISSION
	DRAFT WHERE APPLICABLE MUST REMAIN WITHIN DIMENSIONS						
	MOLEX INCORPORATED						