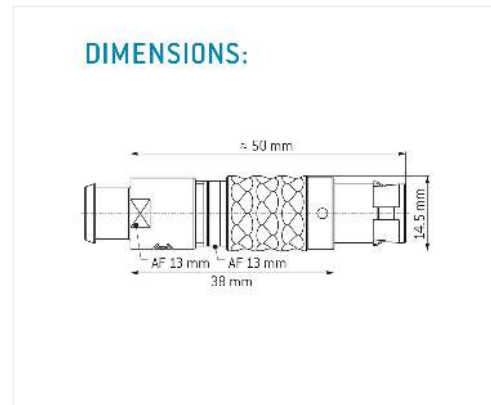
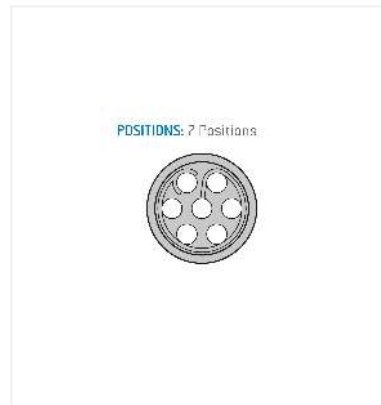
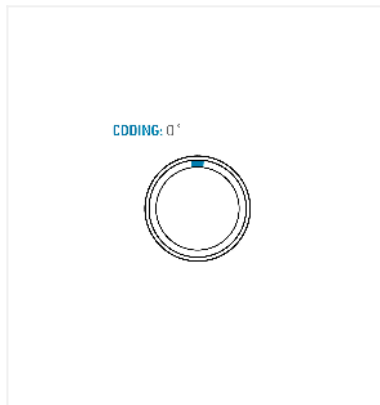


General information

| | |
|-------------------|---------------------|
| Part number | S22LOC-P07MPNO-920S |
| Termination | solder |
| Size | 2 |
| Locking principle | push |
| Coding | 0_key |
| Cable Diameter | cable_mini_92 |
| Cable outlet | bend_relief |



Contact insert description

| | |
|----------------------|--------|
| Number of contacts | 7 |
| Contact type | pins |
| Contact diameter | 13mm |
| Insulator material | peek |
| Wire cross section | 18_awg |
| Termination | solder |
| Termination diameter | 14mm |

reverse_gender_on_request

Technical information

| | | |
|--|----------|---------------|
| Max. creepage and air clearance distance | 09_mm | 10_mm |
| Nominal current single contact | 15_a | iec_60512_5_2 |
| Nominal current insert | 9,75_A | vde_0298_4 |
| Test voltage | 11_kv_ac | sae_13441 |

safety_text

Mechanical and environmental data

| | |
|-----------------------|----------|
| Degree of protection* | ip50 |
| Operating temperature | 40_120_c |
| Mating cycles | 5000 |

mated_unmated

Material and surface treatments

| | |
|---------|---------------|
| Housing | m_chrome |
| Contact | cu_alloy_gold |

safety_text_2
ul_text
illustrative_text